

# **BALDOR**® • *RELIANCE*

## **Product Information Packet**

# **GP7304**

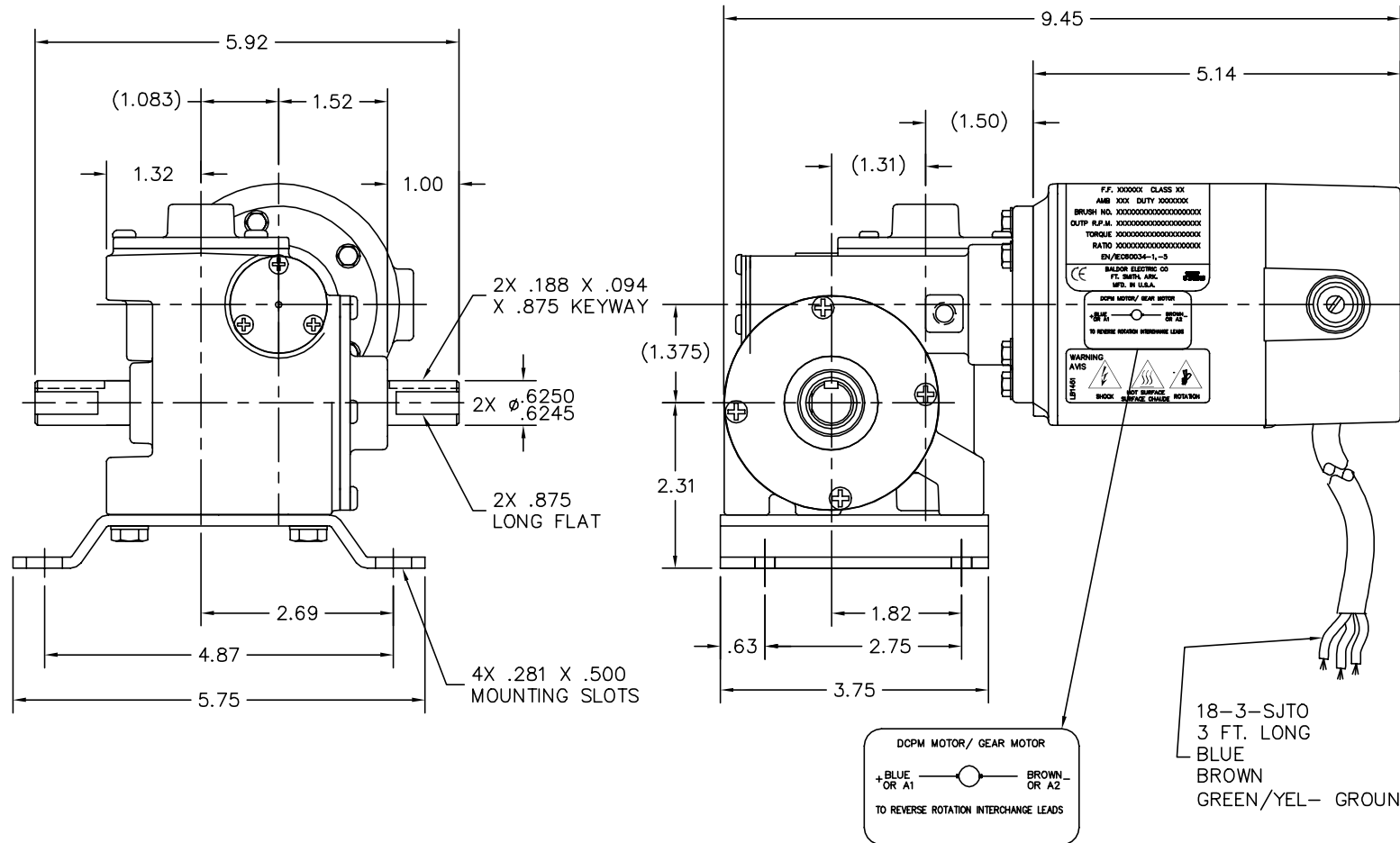
**G.M. D12EA 90V DC 600:1 GP7304**

Part Detail							
Revision:	Y	Status:	PRD/A	Change #:		Proprietary:	No
Type:	DC	Prod. Type:	2412P	Elec. Spec:	24WZ071	CD Diagram:	CD1899
Enclosure:	TENV	Mfg Plant:		Mech. Spec:		Layout:	24A403Z071G1
Frame:		Mounting:		Poles:	00	Created Date:	
Base:		Rotation:	R	Insulation:	F	Eff. Date:	08-05-2015
Field Type:		Literature:		Elec. Diagram:		Replaced By:	

Specs			
Enclosure:	TENV		
Gearhead Type:	RIGHT ANGLE		
Gear Ratio:	600:1		
Gear Style:	EB		
Mounting Arrangement:	0.000		
Product Family:	General Purpose		

<b>Nameplate NP1220A39</b>	
<b>CAT.NO.</b>	GP7304
<b>SER.NO.</b>	
<b>SPEC.</b>	24A403Z071G1
<b>FRAME</b>	EB <span style="float: right;"><b>TYPE</b> 2412P</span>
<b>HP</b>	1/8 TE <span style="float: right;"><b>KW</b> .093 TE</span>
<b>VOLTS</b>	90DC
<b>AMP</b>	.82
<b>F.F.</b>	1.6 <span style="float: right;"><b>CLASS</b> F</span>
<b>AMB.</b>	40 <span style="float: right;"><b>DUTY</b> CONT</span>
<b>BRUSHES</b>	2/BP5052BP01
<b>R.P.M.</b>	6
<b>TORQ/IN LB</b>	150 <span style="float: right;"><b>N.M.</b> 17</span>
<b>RATIO</b>	600:1
<b>APRV-CE</b>	<input type="checkbox"/> <span style="float: right;"><b>APRV-CUL</b> <input type="checkbox"/></span>

24A403Z071G1



CUSTOMER IS RESPONSIBLE FOR DETERMINING THAT BALDOR'S PRODUCT WILL PERFORM SUITABLY IN THE INTENDED APPLICATION.

REV. DESC: ADD LB1451		
REV. LTR: A	VERSION: 01	TDR: 000000872109
FILE: \CKA\00024\922	REVISED: 03:51:19 09/17/2014	BY: CKBRISO
MTL: -		

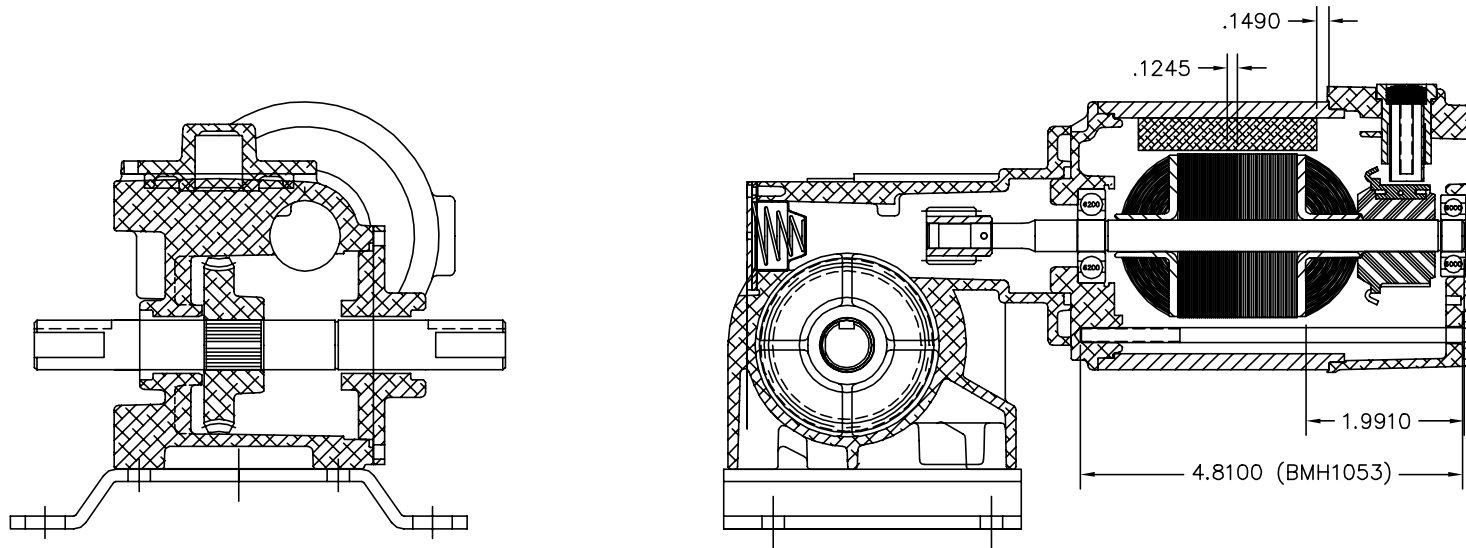
**BALDOR**

LY,24DC EB DOM TENV 1.000 0.625 KEYS & FLATS

SH 1 of 2

24A403Z071G1

24A403Z071G1



CUSTOMER IS RESPONSIBLE FOR DETERMINING THAT BALDOR'S PRODUCT WILL PERFORM SUITABLY IN THE INTENDED APPLICATION.

REV. DESC: ADD LB1451		
REV. LTR: A	VERSION: 01	TDR: 000000872109
FILE: \CKA\00024\922	REVISED: 03:51:19 09/17/2014	BY: CKBRISO
MTL: -		

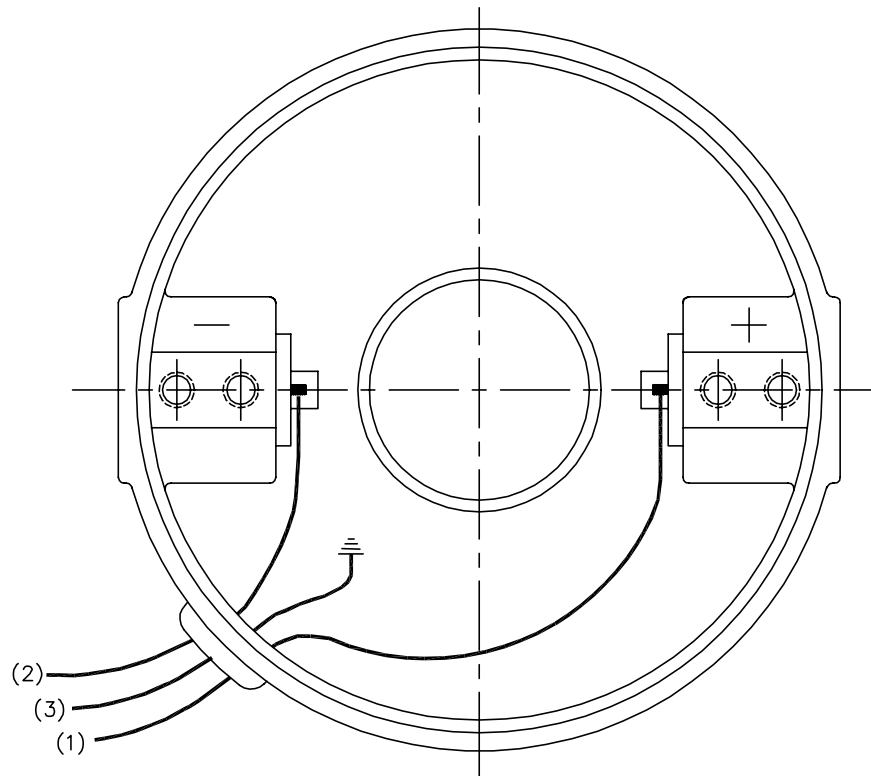
**BALDOR**

LY,24DC EB DOM TENV 1.000 0.625 KEYS & FLATS

SH 2 of 2

24A403Z071G1

CD1899



(1) COLOR MAY BE  
RED  
WHT  
BLU

(2) COLOR MAY BE  
BLK  
BRN

(3) COLOR WHEN REQ.  
GRN  
GRN/YEL

VIEWED FROM  
DRIVE END

REV. DESC: NEW			
REV. LTR: -	BY: PAW	REVISED: 09:06:34 09/16/2004	TDR: 341564
668100		FILE: CKA00025830	REF: CD1899
		MTL: -	

**BALDOR ELECTRIC Co.**

PM,2LD,REV,TANG,CK

CD1899