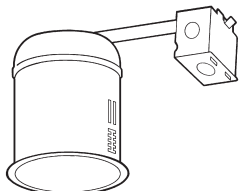


CRR1NBQP  
 PHILIPS LIGHTOLIER C-PLUS 6" RECESSED AIRSEAL  
 IC / NON-IC RATED DOWNLIGHT

Catalog Number: \_\_\_\_\_

Type: \_\_\_\_\_

Project: \_\_\_\_\_



For remodel construction. Thermally protected recessed housing. Fixture can be used for direct contact of ceiling insulation and is AirSeal™ rated. For higher wattage non IC applications, ceiling insulation must be a minimum of three inches from recessed fixture. Housing ships without socket bracket and accepts socket supporting trims only.

- IC - 90W Maximum and Non IC - 150W Maximum
- Housing adjusts vertically in plaster frame to allow for variations in ceiling thickness.
- Wide variety of trims.
- Thermal protection standard.
- cULus Listed for Through-Branch Circuit Wiring and Damp Locations.
- Airseal rated to ASTM E283.



CATALOG SYSTEM AND OPTIONS

SAMPLE CATALOG NUMBER: CRR1NBQ-RB30W

Housing

TRIMS (choose only one)

**CRR1NBQP**  
 (with quick plug  
 connector)

- RB30** – Black Baffle
- RB30W** – Full White Baffle
- RB40W** – Full White Baffle
- RC30C** – Clear Cone
- RBC30WM** – Full White Baffle
- RBC30M** – Full Black Baffle
- RS30W** – White Splay
- RF30W** – White Open Trim
- SH12IC** – Albalite Shower Trim
- SHR16IC** – Regressed Drop Opal Shower Light
- R18P** – White Eyeball
- RBA100CLR** – Clear Cone
- CP630K10** – CorePro White Splay
- CP630K6** – CorePro White Splay

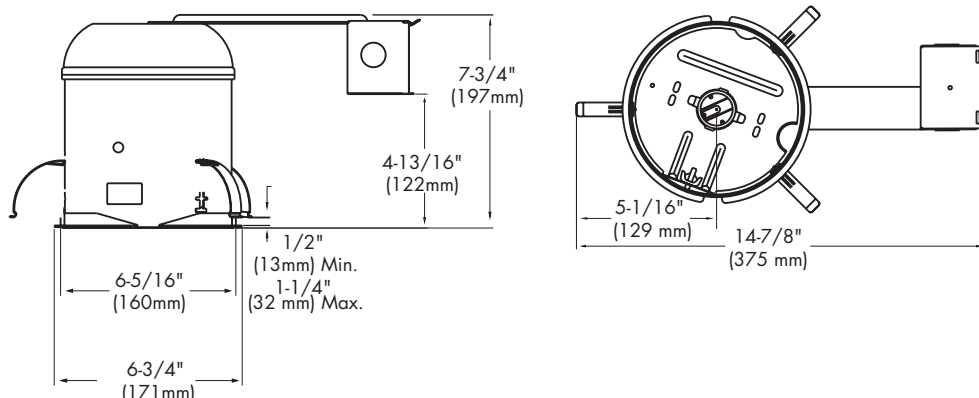
General Notes:  
 See Trims on reverse side of the sheet  
 for lamp compatibility.

SPECIFICATIONS

- Housing** - Constructed of .032 aluminum. Adjusts vertically in plaster frame to accommodate ceilings 1/2" to 1-1/4" thick. Housing can be pulled through plaster frame for access to junction box. Accommodates lamps up to 150 watts, depending on trim used and application to direct contact of ceiling insulation. Ceiling opening of 6-5/16". Dome constructed of heavy-duty steel.
- Installation** - For installation below finished ceiling.
- Socket** - Medium base screw shell porcelain socket, mounted with snap-in clips to top of trim.
- Junction Box** - Extra-large 32 cubic inch 16 gauge galvanized steel with two snap-on covers and grounding pigtail. Knockouts for 1/2" and 3/4" conduit and 4 Romex knockouts with strain relief. Meets all safety requirements of cULus and the N.E.C.

- IC & Non-IC - Housing is cULus Listed for direct contact with thermal insulation. For Non-IC applications higher wattages maybe used. Insulation must be kept three inches away from housing in non-IC applications.
- Thermal Protection** - Standard thermal protection device inside housing automatically takes fixture out of service if temperature becomes excessive from contact with insulation, overlamping, or wrong lamp/trim combination.
- cULus Listed** for Damp Locations and Through Branch Wiring, 4 in/4 out.
- AirSeal™**: Fixture is AirSeal™ rated according to ASTM E28 to no more than 2.0 cubic feet of air per minute at 75 pascals. Fixture meets Washington State Energy Code and Energy Conservation Code.

DIMENSIONS



**PHILIPS**  
**LIGHTOLIER**

trims



**RB30** Full Black Baffle (shown)  
**RB30W** Full White Baffle  
 Socket Supporting  
 7-1/16" O.D. (179 mm)

Lamp	IC	Non-IC
PAR30L	75W	75W
PAR30	50W	75W
R/BR30	75W	75W
PAR38	90W	150W



**RB40W** Full White Baffle (shown)  
 Socket Supporting  
 7-1/16" O.D. (179 mm)

Lamp	IC	Non-IC
PAR30L	75W	75W
PAR30	50W	75W
R/BR30	75W	75W
PAR38	90W	150W
R/BR40	90W	150W



**RC30C** Clear Cone (shown)  
 Socket Supporting  
 7-1/16" O.D. (179 mm)

Lamp	IC	Non-IC
PAR30L	75W	75W
PAR30	50W	75W
R/BR30	75W	75W
PAR38	90W	150W



**RBC30M** Cone Grooved Baffle Black  
**RBC30WM** Full White Baffle w/Torsion Springs  
 Socket Supporting  
 7-1/16" O.D. (179 mm)

Lamp	IC	Non-IC
PAR30L	50W	75W
PAR30	50W	75W
R/BR30	75W	75W
PAR38	90W	150W



**RF30W** White Open Trim  
 Socket Supporting  
 8" O.D. (203 mm)

Lamp	IC	Non-IC
PAR30L	75W	75W
PAR30	50W	75W
R/BR30	65W	75W



**RS30W** White Splay (shown)  
 Socket Supporting  
 7-1/16" O.D. (179 mm)

Lamp	IC	Non-IC
PAR30L	75W	75W
PAR30	75W	75W
R/BR30	75W	75W



**SHR12IC** Albalite Regressed Glass,  
 White Non-Metal Flange, Wet location  
 Socket Supporting  
 8" O.D. (203 mm)

Lamp	IC	Non-IC
A19	25W	60W



**SHR16IC** Regressed Glass  
 Drop Opal Shower Light Bracket  
 Required, Wet Location  
 8" O.D. (203 mm)

Lamp	IC	Non-IC
A19	25W	25W



**R18P** White Eyeball (shown)  
 Socket Supporting, 30° Tilt  
 8" O.D. (203 mm)

Lamp	IC	Non-IC
PAR30L	75W	75W
R/BR30	75W	100W



**RBA100CLR** Clear Cone  
 Socket Supporting  
 7-1/16" O.D. (179 mm)

Lamp	IC	Non-IC
PAR30L	75W	75W
PAR30	50W	75W
PAR38	90W	90W



**CP630K10** CorePro White Splay  
 Socket Supporting  
 7-1/16" O.D. (179 mm)

1000 lm 30K



**CP630K6** CorePro White Splay  
 Socket Supporting  
 7-1/16" O.D. (179 mm)

600 lm 30K



Some luminaires use fluorescent or high intensity discharge (HID) lamps that contain small amounts of mercury. Such lamps are labeled, "Contain Mercury" and/or the symbol "HG". Lamps that contain mercury must be disposed of in accordance with local requirements. Information regarding lamp recycling and disposal can be found at [www.lamprecycle.org](http://www.lamprecycle.org)



© 2015 Koninklijke Philips N.V. All rights reserved.  
 Specifications are subject to change without notice.  
[www.philips.com/luminaires](http://www.philips.com/luminaires)

Philips Lighting  
 North America Corporation  
 200 Franklin Square Drive  
 Somerset, NJ 08873  
 Phone: 855-486-2216

Philips Lighting Company  
 281 Hillmount Road  
 Markham ON, Canada L6C 2S3  
 Phone: 800-668-9008