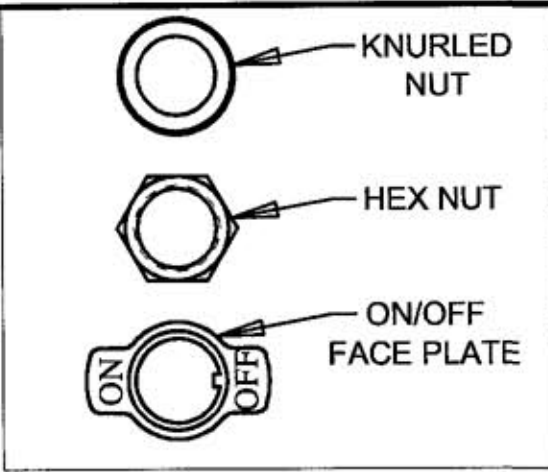
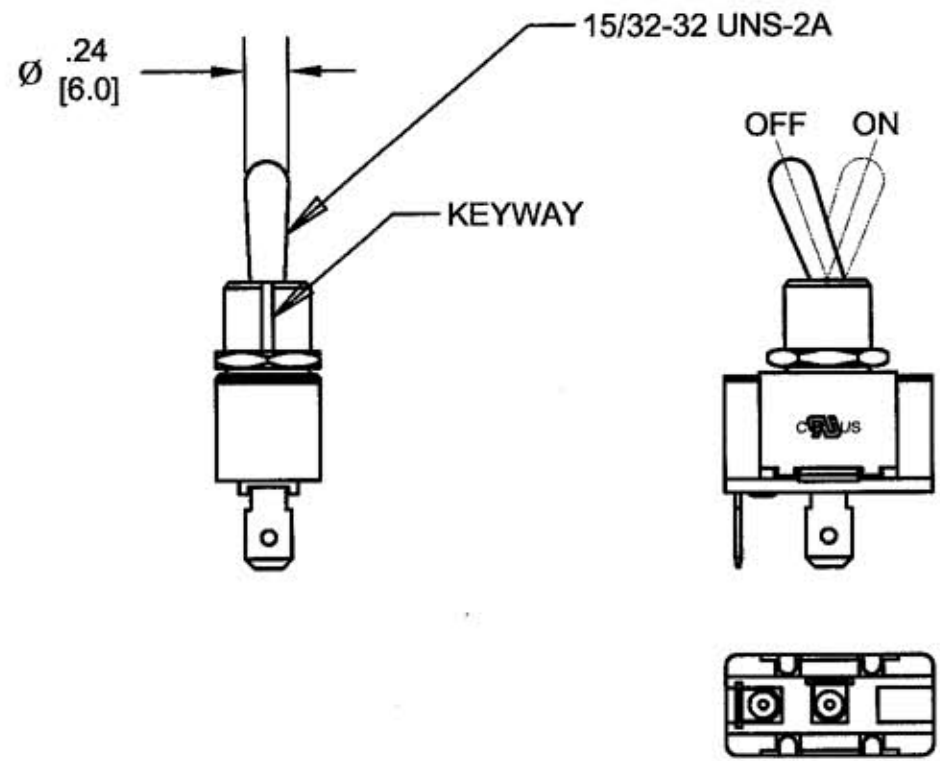
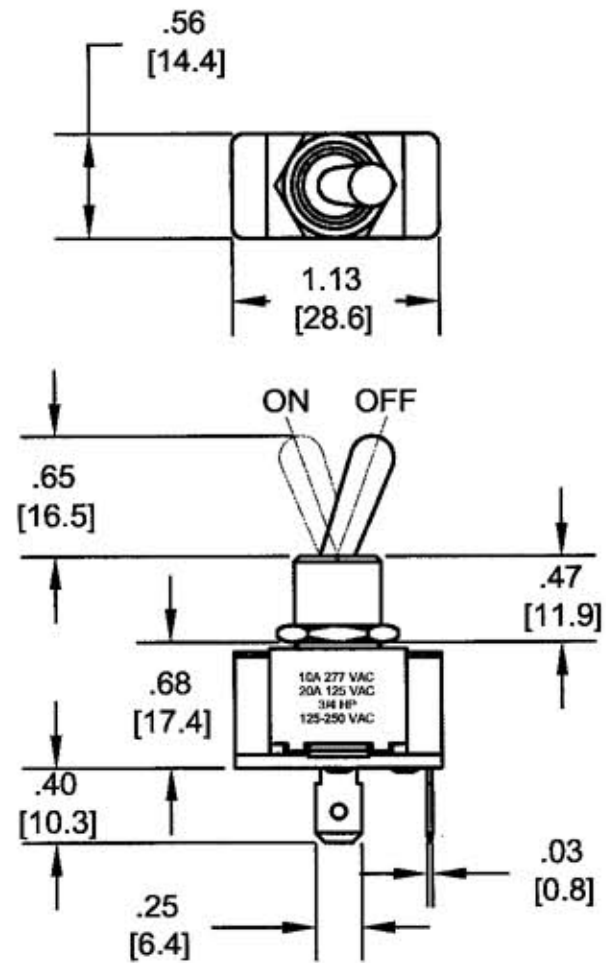
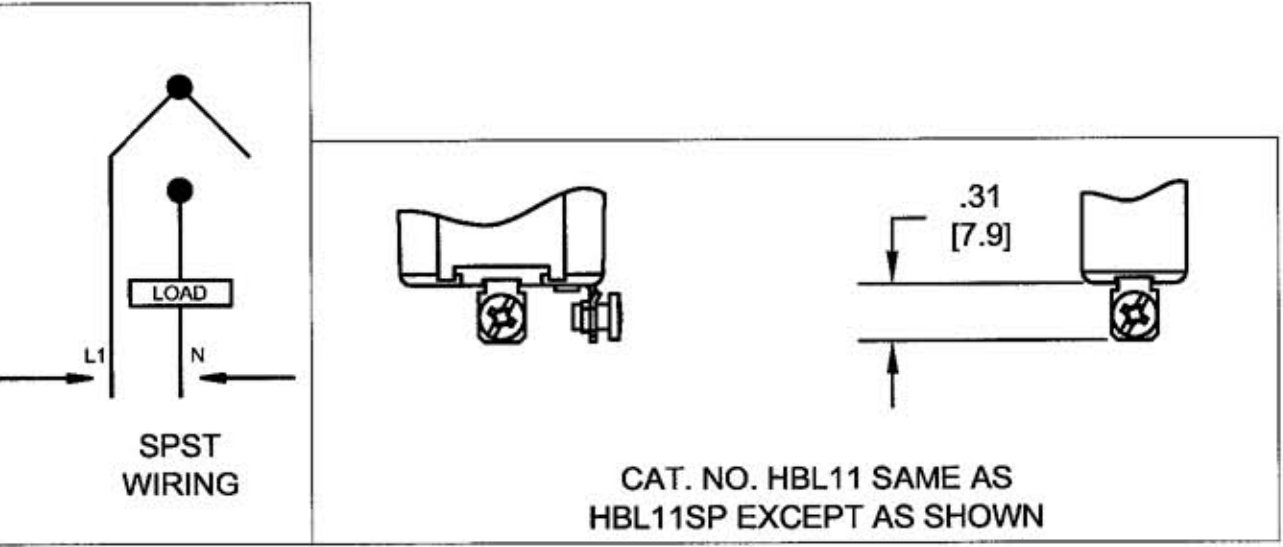


M-10202 1



LIST OF PARTS		
DESCRIPTION	MATERIAL	FINISH



- NOTES: (UNLESS OTHERWISE SPECIFIED):
- 1) DIMENSIONS ARE: INCHES [MM]
 - 2) SUPPLIED ASSEMBLED WITH (1) 15/32 KNURL NUT (1) 15/32 HEX NUT (1) ON/OFF FACE PLATE
 - 3) RECOMMENDED PANEL MOUNT OPENING 0.50 [12.7].
 - 4) RATING: 10 AMP, 277VAC
20 AMP, 125VAC
3/4 HP, 125-250VAC

CATALOG NO.	TERMINAL TYPE	SWITCH DESCRIPTION
HBL11SP	SPADE, .250 MALE TAB NEMA	SINGLE POLE, SINGLE THROW
HBL11	SCREW, #6-32UNS-2B	SINGLE POLE, SINGLE THROW

DIMENSION SHEET FOR CAT. NO. SEE TABLE

REPAIRABLE NON-REPAIRABLE

B

M-10202

1

1	RELEASED FOR PRODUCTION PER DCN # 13193. JMN	JPP	8/23/06
SYM	REVISIONS	APP	DATE

THE DESIGN AND DIMENSIONS OF THE PRODUCT SHOWN ON THIS DRAWING ARE SUBJECT TO CHANGE WITHOUT NOTICE

TITLE
TOGGLE SWITCH
SINGLE POLE, SINGLE THROW

TOLERANCES UNLESS OTHERWISE SPECIFIED FRACTIONS ±1/64 DECIMALS ±.005 ANGLES ±2°	WIRING DEVICE—KELLEMS HUBBELL INCORPORATED BRIDGEPORT, CT	
	DR. BY JMN	APP. BY JPP
	TR. BY	SCALE NONE
	CHK'D BY JPP	DATE 8/23/06