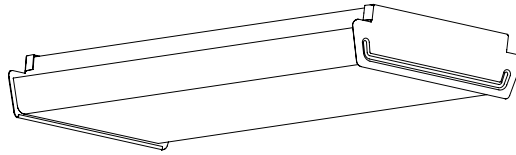


PHILIPS
Day-Brite
CFI

Linear

OW wraparound

Narrow, 2', T8



Project: _____
 Location: _____
 Cat.No: _____
 Type: _____
 Lamps: _____ Qty: _____
 Notes: _____

The Philips Day-Brite / Philips CFI OW wraparound narrow is a functional and economical lift-and-shift wrap, ideal for surface mount general illumination in light commercial and residential applications.

Ordering guide

Example: OWN217-UNV-1/2-EB

Series	Width	No. of Lamps per Cross Section	Lamp Type	Voltage	Options
<input type="text" value="OW"/>	<input type="text" value="N"/>	<input type="text" value="2"/>	<input type="text" value="17"/> -	<input type="text" value=""/> -	<input type="text" value=""/>
OW Wraparound	N Narrow	(not included) 2	17 17WT8 (24")	UNV Universal voltage 120/277V 120 120V 277 277V 347 347V	1/2 One 2-lamp ballast EB Electronic ballast, <10% THD EB1OR Electronic ballast, program rapid start, <10% THD EBHE Electronic ballast, high efficiency, std. ballast factor EBLHE Electronic ballast, high efficiency, low ballast factor EBHHE Electronic ballast, high efficiency, high ballast factor EBSD Electronic step dimming ballast, .88 ballast factor EBD7 Advance Mark 7 dimming ballast, 0-10V (low voltage) control EBDX Advance Mark 10 dimming ballast, phase control EBD Electronic dimming ballast, customer specified E1 B100 emerg. ballast, 350-450 lumens, 120/277V E1CAN B100-CAN emerg. ballast, Canada market, 350-450 lumens, 120/347V E7 B60 emerg. ballast, 600-700 lumens, 120/277V GLR Fusing, fast blow

See Section 1600-OA for Option Information.
 See Page 950-SS for Mounting Hardware.

Accessories (order separately)

- CS-400 – Rigid Canopy
- CS-500 – 42" Top Swivel Canopy
- CS-12 – 12" Stem
- CS-18 – 18" Stem
- CS-24 – 24" Stem
- CS-30 – 30" Stem
- CS-36 – 36" Stem
- CS-48 – 48" Stem



OWN Wraparound, narrow

2', T8

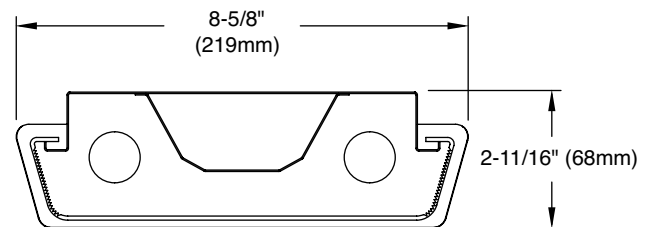
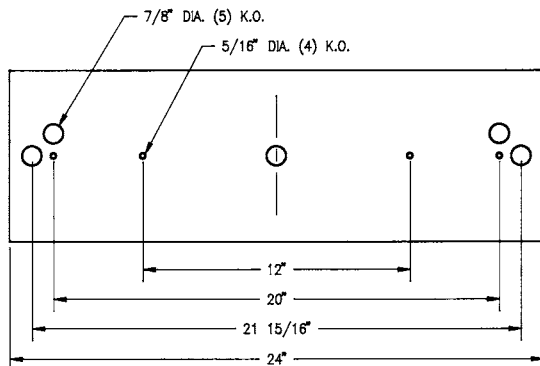
Construction/Finish

- Pattern 12 bottom prisms with interior linear side wall prisms for maximum cleanliness and light control.
- Tapered shape provides a modern appearance.
- Full steel end plates feature embosses for improved aesthetics.
- 100% virgin acrylic lens hinges from either side for easy maintenance.
- Housing is multi-stage phosphate treated for maximum corrosion resistance and finish coat is high reflectance baked white enamel.
- Multiple knockouts accommodate a variety of mounting methods.
- Heavy duty channel of code gauge die formed steel.
- For surface or stem mounting.

Electrical

- Lampholders may be individually replaced or rewired.
- cULus listed for direct mounting on low density ceilings and damp locations.
- Self-contained fluorescent emergency power packs can be incorporated.

Dimensions



OWN Wraparound, narrow

2', T8

Photometry

Linear wraparound OWN 2ft, 2 Lamp T8

Efficiency – 81.5%

LER – 65

TER – 54

		Candlepower				Light Distribution				Average Luminance			
Catalog No.	OWN217-1/2-EB	Angle	End	45	Cross	Degrees	Lumens	% Lamp	% Luminaire	Angle	End	45'	Cross
Test No.	28878	0	680	680	680	0-30	537	20.2	24.9	45	4710	4352	4356
S/MH	1.3	5	678	680	682	0-40	882	33.3	40.8	55	3709	3514	3543
Lamp Type	F17T8	15	658	661	663	0-60	1515	57.2	70.2	65	2205	2352	2492
Lumens/Lamp	1325	25	616	621	621	0-90	1880	70.9	87.1	75	1472	2023	2361
Input Watts	30	35	553	553	557	90-180	279	10.5	12.9	85	1048	2567	3618
		45	452	461	465	0-180	2159	81.5	100.0				
		55	296	321	327								
		65	135	174	187								
		75	60	110	131								
		85	20	85	124								
Comparative yearly lighting energy cost per 1000 lumens – \$3.69 based on 3000 hrs. and \$.08 pwr KWH.		95	0	83	120								
		105	1	88	107								
		115	6	68	84								
		125	11	46	59								
		135	13	28	35								
		145	11	16	18								
		155	10	8	12								
		165	9	7	7								
		175	10	9	10								

Coefficients of Utilization									
EFFECTIVE FLOOR CAVITY REFLECTANCE 20 PER (pfc=0.20)									
pcc	80			70			50		
	pw	70	50	30	70	50	30	50	30
RCR									
0	93	93	93		91	91	91		84
1	85	81	78		82	79	76		73
2	78	71	66		75	68	64		65
3	71	63	56		68	60	55		56
4	66	56	48		63	54	47		51
5	60	50	42		57	48	41		46
6	56	45	38		54	44	36		41
7	52	40	34		50	40	34		38
8	47	38	30		46	36	29		34
9	45	34	28		42	34	27		32
10	41	32	25		40	30	25		28

The photometric results were obtained in the Philips Day-Brite laboratory which is NVLAP accredited by the National Institute of Standards and Technology.



Some luminaires use fluorescent or high intensity discharge (HID) lamps that contain small amounts of mercury. Such lamps are labeled, "Contain Mercury" and/or the symbol "HG". Lamps that contain mercury must be disposed of in accordance with local requirements. Information regarding lamp recycling and disposal can be found at www.lamprecycle.org

