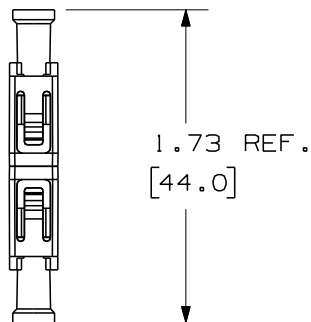


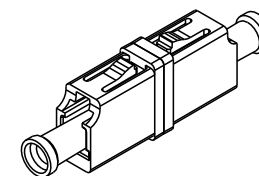
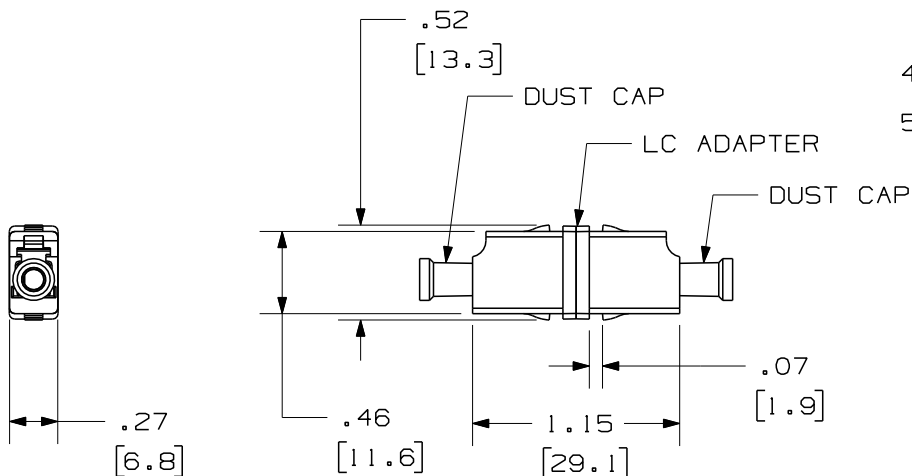
THIS COPY IS PROVIDED ON A RESTRICTED BASIS AND IS NOT TO BE USED IN ANY WAY DETRIMENTAL TO THE INTERESTS OF PANDUIT CORP.



PANDUIT P/N	WEIGHT	SPLIT SLEEVE TYPE
FASSLCZAQ-L	.22 lbs/50 Pcs [98.0 g/50 Pcs]	ZIRCONIA
FASSLCZBU-L	.22 lbs/50 Pcs [98.0 g/50 Pcs]	ZIRCONIA

NOTES:

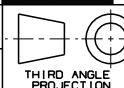
- SEE CURRENT CATALOG FOR PART NUMBER SUFFIXES TO INDICATE COLOR AND/OR PACKAGE QUANTITIES.
- SEE CATALOG FOR COMPLETE LIST OF PARTS APPLICABLE FOR USE WITH THIS PART.
- MATERIALS:
 - ADAPTER HOUSING: PLASTIC
 - SPLIT SLEEVE: ZIRCONIA
 - DUST CAP: PLASTIC
- COMPATIBLE WITH TIA/EIA-604-10 (FOCIS-10) AND TIA/EIA-568B.3
- DIMENSIONS IN BRACKETS ARE METRIC [mm]



LC SENIOR/SENIOR SIMPLEX
FIBER OPTIC ADAPTER
CUSTOMER DRAWING



PANDUIT™
CORP.
TINLEY PARK, ILL 60477



THIRD ANGLE
PROJECTION

ALL DIMENSIONS ARE GIVEN IN INCHES,
UNLESS OTHERWISE SPECIFIED.
DIMENSIONAL TOLERANCES ARE:
(.X) (.XXX) ± .006 (0.2)
(.XX) ± .02 (0.5) ANGLES

DRAWING FILENAME
M01355AH_DC_01A.prt
SCALE
NONE

REVIEW DRAWING NUMBERS

PART NO. FASSLCZAQ-L
FASSLCZBU-L

DATE
06-26-03

DRAWING NO.
01355-11

SEE NOTES

SIZE
A

REV	DATE	BY	CHK	DESCRIPTION	ECN	R	CUST	SUP	OTH
2	03-11-05	MC		RELEASED TO PRODUCTION	01355-11				