



MR16/GU10/PAR16 LED

8.5MRX16/LED/F25 3000 DIM AF 10/1

Philips MR16 Dimmable LED Lamps provide ambient level light to illuminate hard to maintain applications. Increased transformer compatibility allows for operation on a wider range of transformers. Available in dimmable and non-dimmable versions, these lamps are ideal for track and open recessed fixtures in retail, hospitality and residential spaces.

Product data

General Information	
Cap-Base	GU5.3 [GU5.3]
Nominal Lifetime (Nom)	25000 h
Switching Cycle	50000X
Technical Type	8.5-50W
Light Technical	
Color Code	830 [CCT of 3000K]
Beam Angle (Nom)	25 °
Light Distribution	25D [Medium beam]
Initial lumen (Nom)	660 lm
Luminous Flux (Rated) (Nom)	660 lm
Luminous Intensity (Nom)	3250 cd
Color Designation	White (WH)
Rated Beam Angle	25 °
Correlated Color Temperature (Nom)	3000 K
Luminous Efficacy (rated) (Nom)	78 lm/W
Color Consistency	<6
Color Rendering Index (Nom)	80
LLMF At End Of Nominal Lifetime (Nom)	70 %
Luminous Flux in 90° Cone (Rated)	621 lm

Operating and Electrical	
Input Frequency	60 Hz
Power (Rated) (Nom)	8.5 W
Lamp Current (Nom)	900 mA
Wattage Equivalent	50 W
Starting Time (Nom)	0.5 s
Warm Up Time to 60% Light (Nom)	0.5 s
Power Factor (Nom)	0.7
Voltage (Nom)	12 V
Temperature	
T-Case Maximum (Nom)	105 °C
Controls and Dimming	
Dimmable	Yes
Approval and Application	
Energy star mark	Energy star
Suitable For Accent Lighting	Yes
Energy Efficiency Label (EEL)	Not applicable
Energy Consumption kWh/1000 h	- kWh

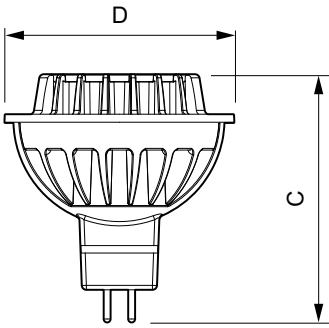
MR16/GU10/PAR16 LED

Product Data

Order product name	8.5MRX16/F25 3000 DIM AF 10/1
EAN/UPC - Product	046677457518
Order code	457515
Numerator - Quantity Per Pack	1

Numerator - Packs per outer box	10
Material Nr. (12NC)	929001149904
Net Weight (Piece)	0.045 kg

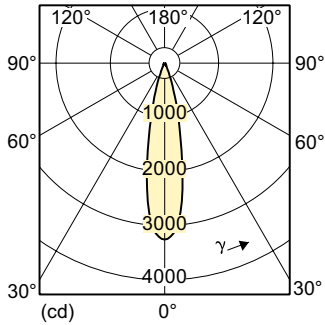
Dimensional drawing



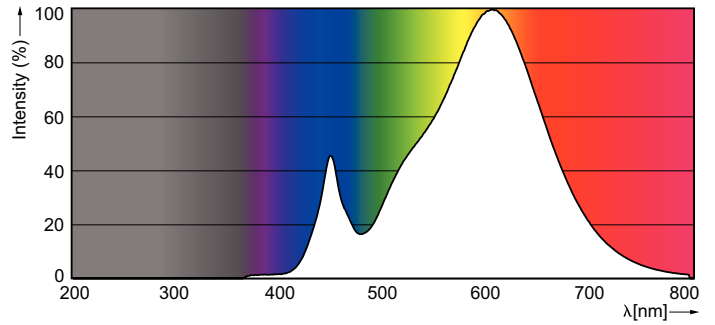
LED D 8-50W 830 MR16 24D

Product	D	C
8.5MRX16/F25 3000 DIM AF 10/1	51 mm	55 mm

Photometric data



8-50 W GU5.3 /830 MR16 24D



8-50 W GU5.3 /830 MR16

