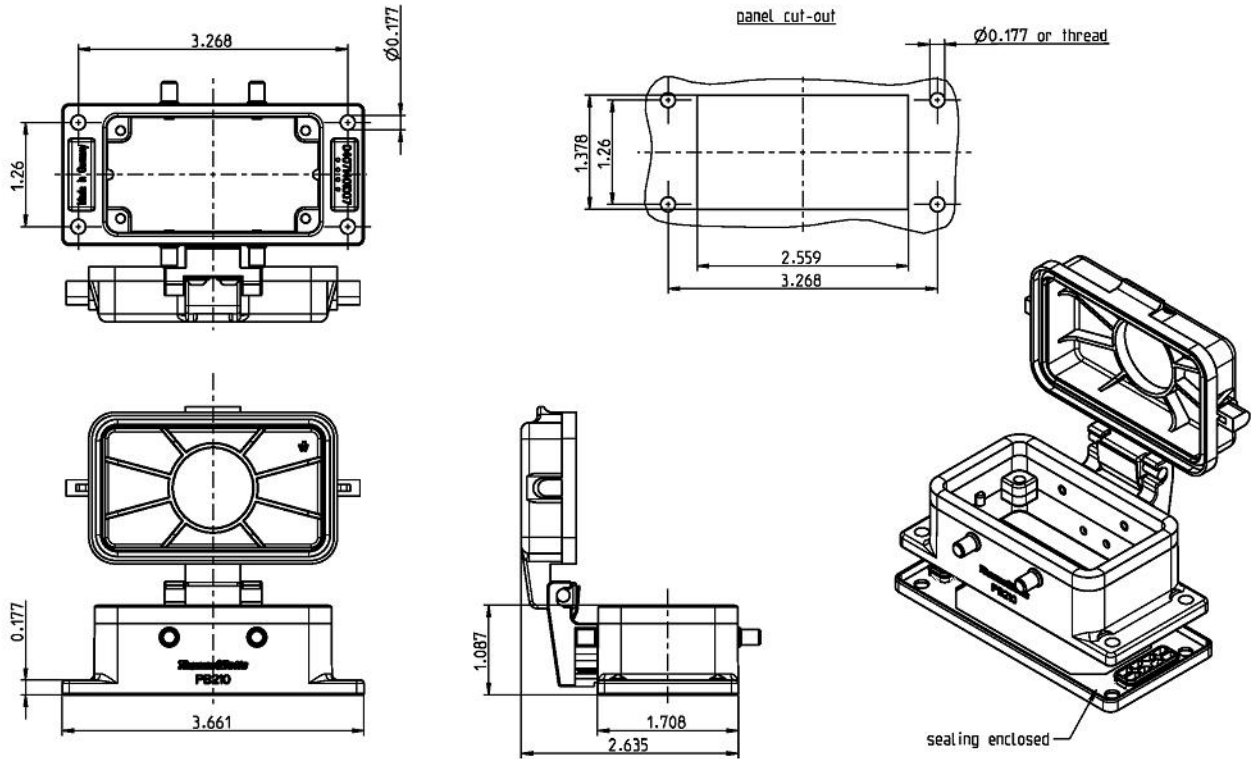





Pos-E-Kon®



PB210
PANEL HOUSING B10, 1.087 HIGH
DOUBLE LOCKING SYSTEM
WITH SPRING COVER

GENERAL NOTES		 A Member of the ABB Group			
1. ALL DIMENSIONS ARE FOR REFERENCE ONLY. 2. DIMENSIONS IN BRACKETS [] ARE IN METRIC UNITS.					
REVISIONS		DESCRIPTION: PB210 - BASE, PANEL MOUNT			
--	SEE ERN 2015390 FOR APPROVAL SIGNATURES & RELEASE DATE. PROJECT NO: TM400024	ORIGINAL PROJECT NO / (ERN NO) TM400024 / (2015390)	SHEET NO: 1 OF 1	REV. NO: --	DRAWING NO: WSD-001246