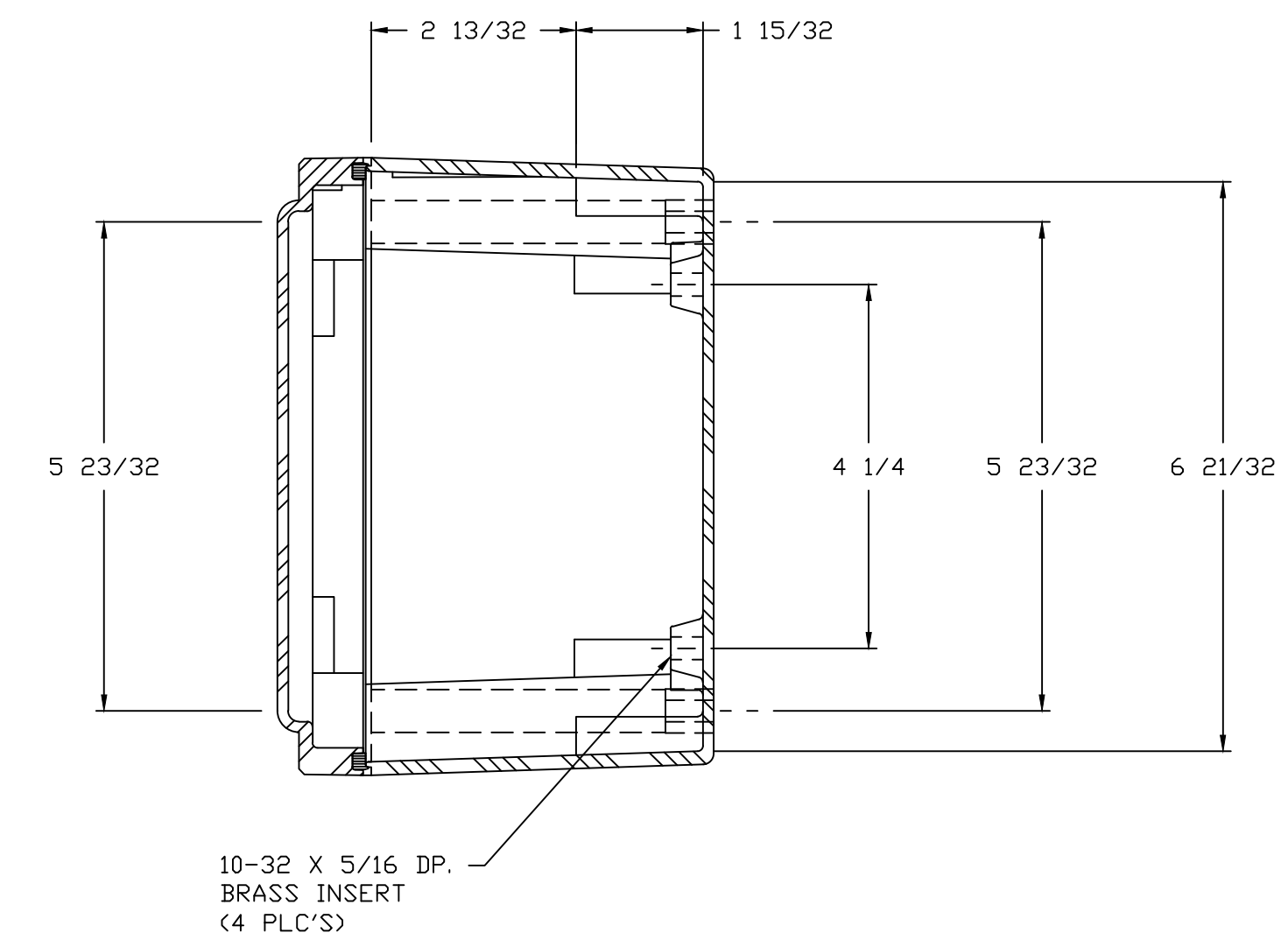
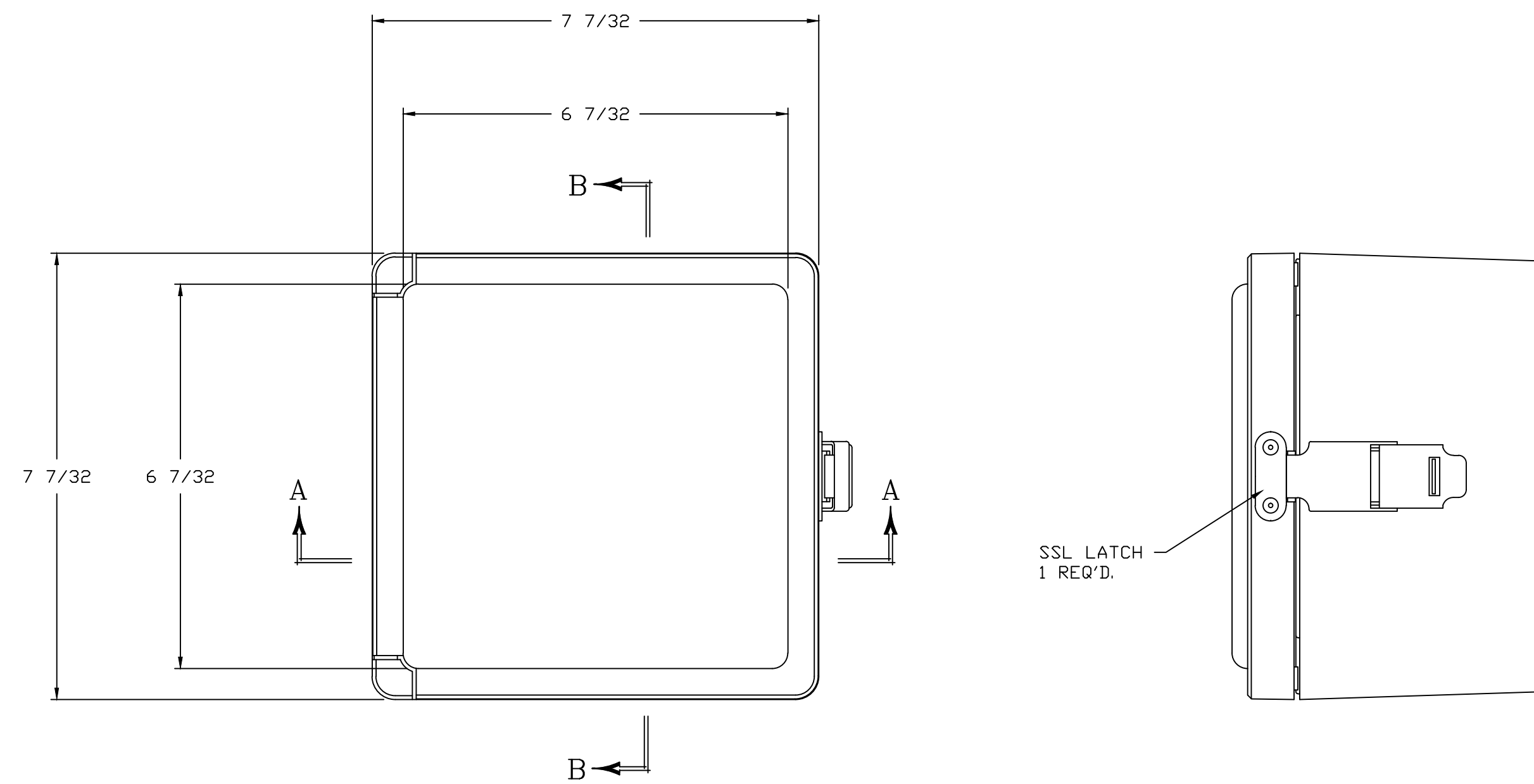
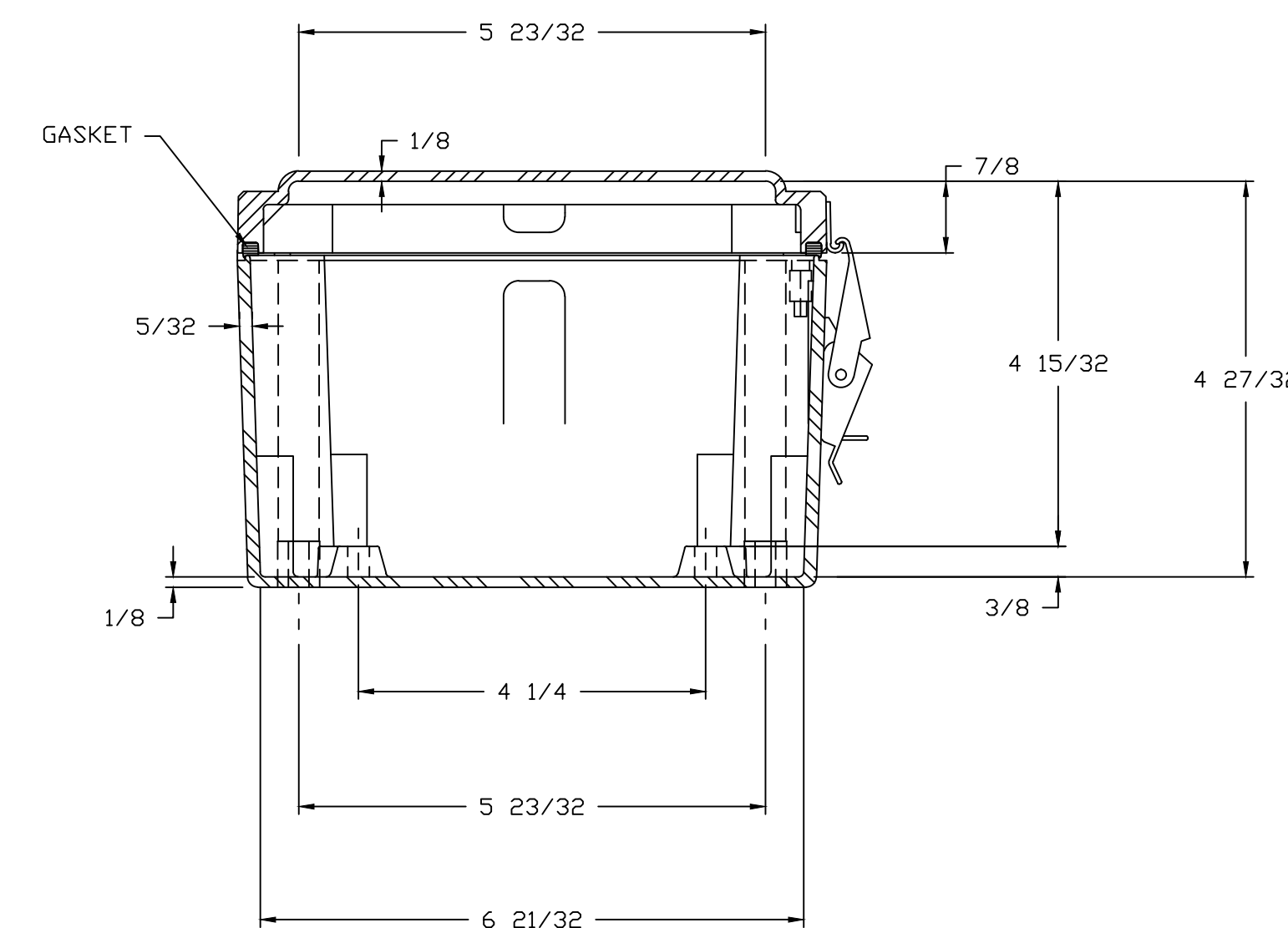
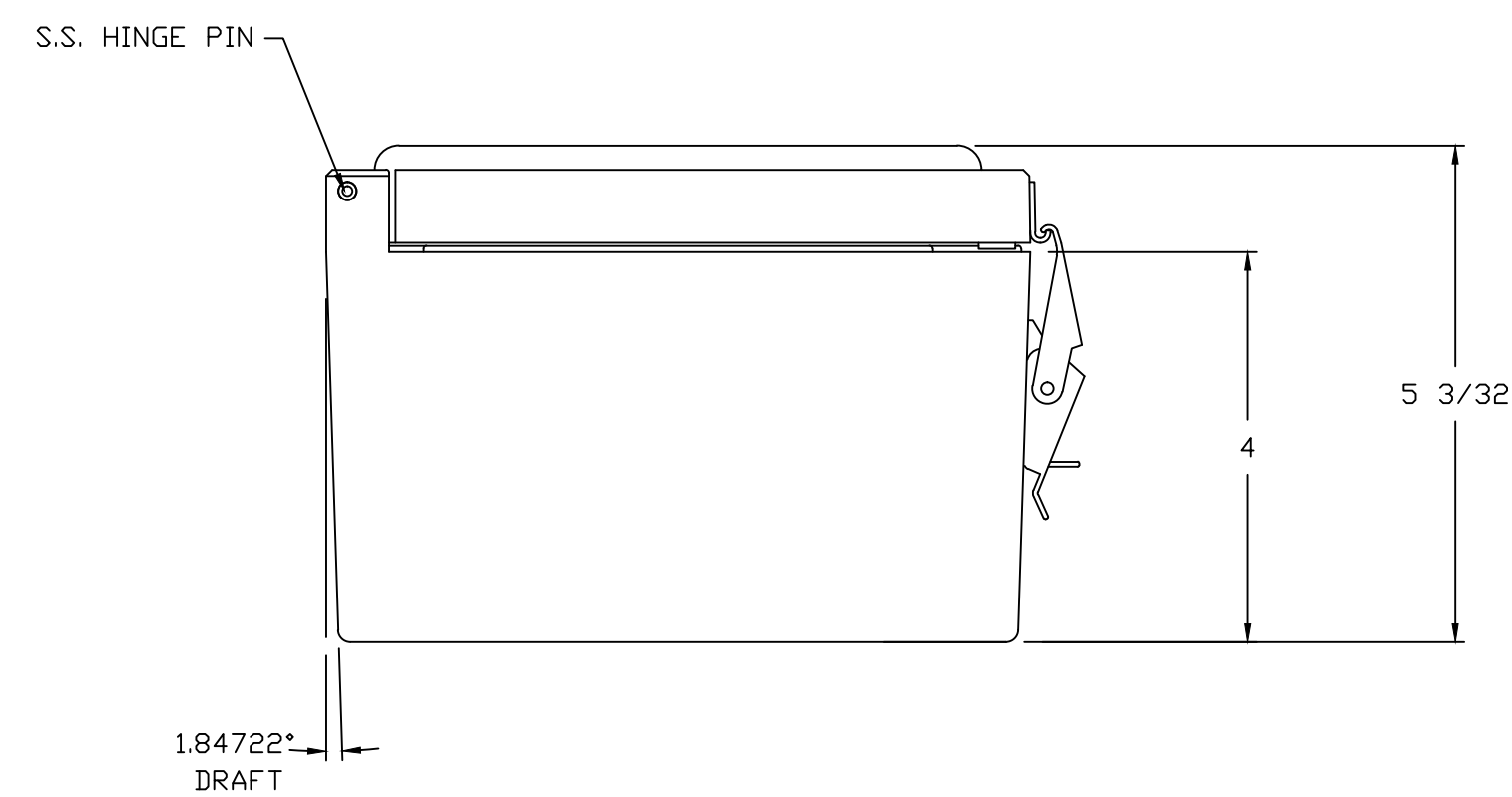


INSIDE VIEW  
WITHOUT COVER




SECTION B-B



SECTION A-A

NOTES:

COLOR: GLACIER GRAY RR1013				TOLERANCES UNLESS SPECIFIED		DECIMAL ± .010	FRACTIONAL ± 1/32
MATERIAL NEMA 4X				DR. BY GF	DATE 7/12/96	 BELDING, MICHIGAN 48809 DIVISION OF ROBROY INDUSTRIES	
FR POLYESTER FIBERGLASS				CHK. BY	DATE		
LET.	REVISION RECORD	DATE	BY	CHD.	APD. BY	DATE	CUSTOMER
							AutoCAD DWG. FILE CL707HPL
SCALE DO NOT SCALE				PART NAME ENCLOSURE		PART NO. CL707HPL	