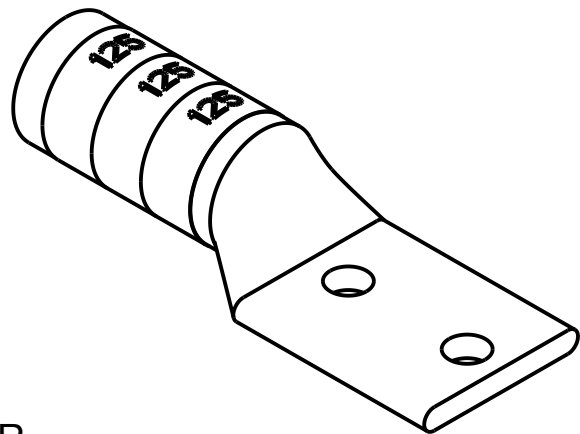
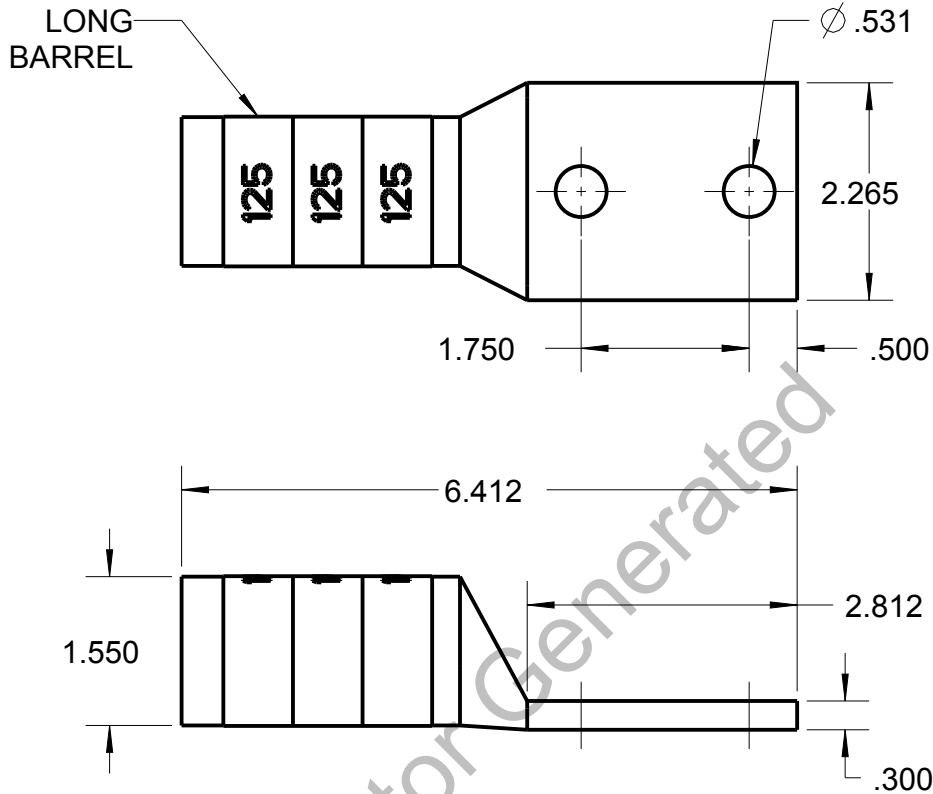



Blackburn Compression

Featuring the Color-Keyed® System

CATALOG NO. 54882BESP



WIRE SIZE: 1000 MCM
 MATERIAL: HIGH CONDUCTIVITY COPPER
 FINISH: SILVER PLATED

GENERAL NOTES		 www.tnb.com				
1. ALL DIMENSIONS ARE FOR REFERENCE ONLY. 2. DIMENSIONS IN BRACKETS [] ARE IN METRIC UNITS.						DESCRIPTION:
REVISIONS		ORIGINAL PROJECT NO / (ERN NO)		SHEET NO:	REV. NO:	DRAWING NO: WSD-002542
** SEE ERN (****) FOR APPROVAL SIGNATURES & RELEASE DATE. PROJECT NO: ****		/ ()		1 OF 1	B	54882BESP