

# **BALDOR**® • ***RELIANCE***

## **Product Information Packet**

# **GPP12564**

**G.M. J16MA 180VDC 83 RPM 30:1 CAT#GPP125**

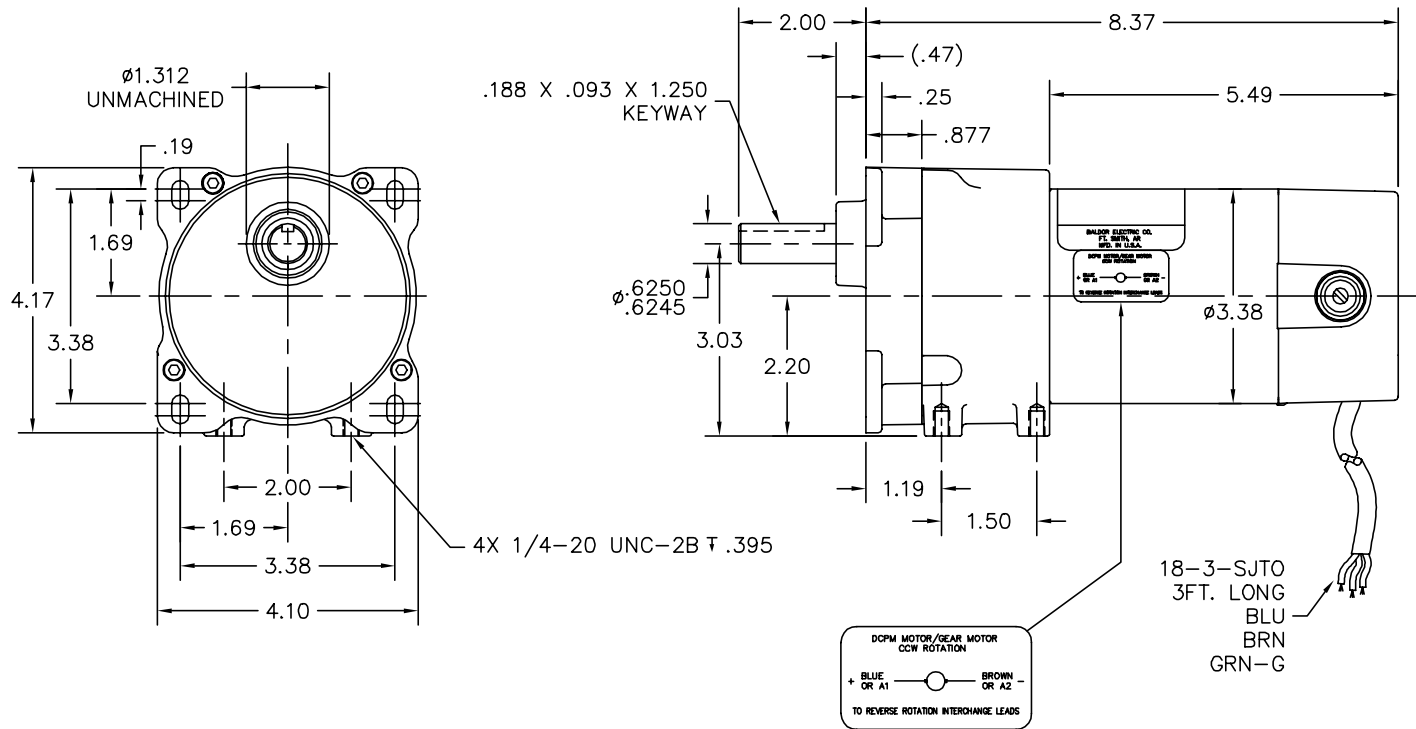
Part Detail							
Revision:	U	Status:	PRD/A	Change #:		Proprietary:	No
Type:	DC	Prod. Type:	2416P	Elec. Spec:	24WZ063	CD Diagram:	CD1899
Enclosure:	TENV	Mfg Plant:		Mech. Spec:		Layout:	24A099Z063G4
Frame:		Mounting:		Poles:	00	Created Date:	
Base:		Rotation:	R	Insulation:	F	Eff. Date:	06-02-2015
Field Type:		Literature:		Elec. Diagram:		Replaced By:	

Specs			
Enclosure:	TENV		
Gearhead Type:	PARALLEL SHAFT		
Gear Ratio:	30:1		
Gear Style:	PSM		
Mounting Arrangement:	0.000		
Product Family:	General Purpose		

## Nameplate NP1220A39

CAT.NO.	GPP12564		
SER.NO.			
SPEC.	24A099Z063G4		
FRAME	PSM	TYPE	2416P
HP	1/8 TE	KW	.093 TE
VOLTS	180DC		
AMP	.70		
F.F.	1.5	CLASS	F
AMB.	40	DUTY	CONT
BRUSHES	2/BP5052BP01		
R.P.M.	83		
TORQ/IN LB	87	N.M.	9.8
RATIO	30:1		
APRV-CE		APRV-CUL	

24A099Z063G4



CUSTOMER IS RESPONSIBLE FOR DETERMINING THAT MOTOR PERFORMANCE IS SUITABLE IN THE APPLICATION.

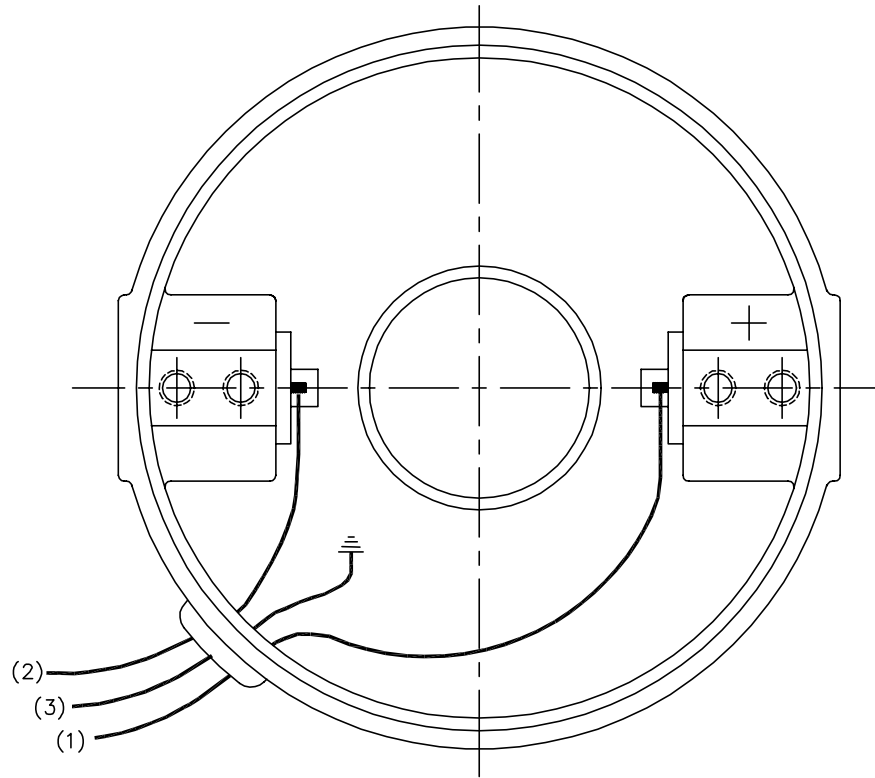
REV. DESC: CHANGED CABLE LABEL TO SJTO			
REV. LTR: B	BY: BMS	REVISED: 10:23:59 08/09/2004	TDR: 340091
24A099Z063G4		FILE: CKA00021607	REF: 24A099Z063G4
		MTL: -	

**BALDOR ELECTRIC Co.**

LY,24DC PSM DOM TENV

24A099Z063G4

CD1899



(1) COLOR MAY BE  
RED  
WHT  
BLU

(2) COLOR MAY BE  
BLK  
BRN

(3) COLOR WHEN REQ.  
GRN  
GRN/YEL

VIEWED FROM  
DRIVE END

REV. DESC: NEW			
REV. LTR: -	BY: PAW	REVISED: 09:06:34 09/16/2004	TDR: 341564
668100		FILE: CKA00025830	REF: CD1899
		MTL: -	

**BALDOR ELECTRIC Co.**

PM,2LD,REV,TANG,CK

CD1899