

# **BALDOR**® • ***RELIANCE***

## **Product Information Packet**

# **ECP3661T**

**3HP,1755RPM,3PH,60HZ,182T,0632M,TEFC,F1**

Part Detail							
Revision:	H	Status:	PRD/A	Change #:		Proprietary:	No
Type:	AC	Elec. Spec:	06WGX181	CD Diagram:	CD0005	Mfg Plant:	
Mech. Spec:	06H483	Layout:	06LYH483	Poles:	04	Created Date:	09-26-2013
Base:	RG	Eff. Date:	04-28-2017	Leads:	9#16		

Specs			
Catalog Number:	ECP3661T	Front Shaft Indicator:	None
Enclosure:	TEFC	Heater Indicator:	No Heater
Frame:	182T	Insulation Class:	F
Frame Material:	Iron	Inverter Code:	Inverter Duty
Output @ Frequency:	3.000 HP @ 60 HZ	KVA Code:	J
Synchronous Speed @ Frequency:	1800 RPM @ 60 HZ	Lifting Lugs:	Standard Lifting Lugs
Voltage @ Frequency:	208.0 V @ 60 HZ	Locked Bearing Indicator:	No Locked Bearing
	460.0 V @ 60 HZ	Motor Lead Quantity/Wire Size:	9 @ 16 AWG
	230.0 V @ 60 HZ	Motor Lead Exit:	Ko Box
XP Class and Group:	CLI GP A,B,C,D	Motor Lead Termination:	Flying Leads
XP Division:	Division II	Motor Type:	0632M
Agency Approvals:	CSA EEV	Mounting Arrangement:	F1
	UR	Power Factor:	77
	CSA	Product Family:	Super-E Chemical Processing
	CCSA US	Pulley End Bearing Type:	Ball
Auxillary Box:	No Auxillary Box	Pulley Face Code:	Standard
Auxillary Box Lead Termination:	None	Pulley Shaft Indicator:	Standard
Base Indicator:	Rigid	Rodent Screen:	None

<b>Bearing Grease Type:</b>	Polyrex EM (-20F +300F)	<b>Shaft Extension Location:</b>	Pulley End
<b>Blower:</b>	None	<b>Shaft Ground Indicator:</b>	No Shaft Grounding
<b>Constant Torque Speed Range:</b>	1.5	<b>Shaft Rotation:</b>	Reversible
<b>Current @ Voltage:</b>	8.600 A @ 208.0 V	<b>Shaft Slinger Indicator:</b>	Shaft Slinger
	8.200 A @ 230.0 V	<b>Speed Code:</b>	Single Speed
	4.100 A @ 460.0 V	<b>Motor Standards:</b>	NEMA
<b>Design Code:</b>	B	<b>Starting Method:</b>	Direct on line
<b>Drip Cover:</b>	No Drip Cover	<b>Thermal Device - Bearing:</b>	None
<b>Duty Rating:</b>	CONT	<b>Thermal Device - Winding:</b>	None
<b>Electrically Isolated Bearing:</b>	Not Electrically Isolated	<b>Vibration Sensor Indicator:</b>	No Vibration Sensor
<b>Feedback Device:</b>	NO FEEDBACK	<b>Winding Thermal 1:</b>	None
<b>Front Face Code:</b>	Standard	<b>Winding Thermal 2:</b>	None
		<b>XP Temp Code:</b>	T3C

Nameplate NP3257E			
CAT.NO.	ECP3661T		
SPEC.	06H483X181G2		
HP	3	TE	
VOLTS	208-230/460		
AMP	8.6-8.2/4.1		
RPM	1755		
FRAME	182T	HZ	60
SER.F.	1.15	CODE	J DES B
RATING	40C AMB-CONT		
SN			
DE	6206	ODE	6206
NEMA-NOM-EFF	89.5	PF	77
G.MIN.EFF	87.5	CC	010A
T. CODE	T3C	T=	160
		PH	3
		CL	F

<b>Nameplate NP3260E</b>			
<b>SPEC.</b>	06H483X181G2		
<b>D.E. BRG.</b>	30BC02XP30X		
<b>O.D.E. BRG.</b>	30BC02XP30X		
<b>GREASE</b>	POLYREX EM		
<b>RPM MAX</b>	2700	<b>MAX. KVAR</b>	0.86
<b>BLANK</b>			
<b>INV. TYPE</b>	PWM		
<b>T=</b>	160		
<b>C HP FR</b>	60		
<b>CT HZ FROM</b>	1.5		
<b>VT HZ FROM</b>	0-		
<b>HTR-VOLTS</b>			
<b>HTR-WATTS</b>			
<b>C HP TO</b>	90		
<b>CT HZ TO</b>	60		
<b>VT HZ TO</b>	60		
<b>HTR-AMPS</b>			
<b>MAX. SPACE HEATER TEMP.</b>			

**AC Induction Motor Performance Data**

Record # 46998 - Typical performance - not guaranteed values

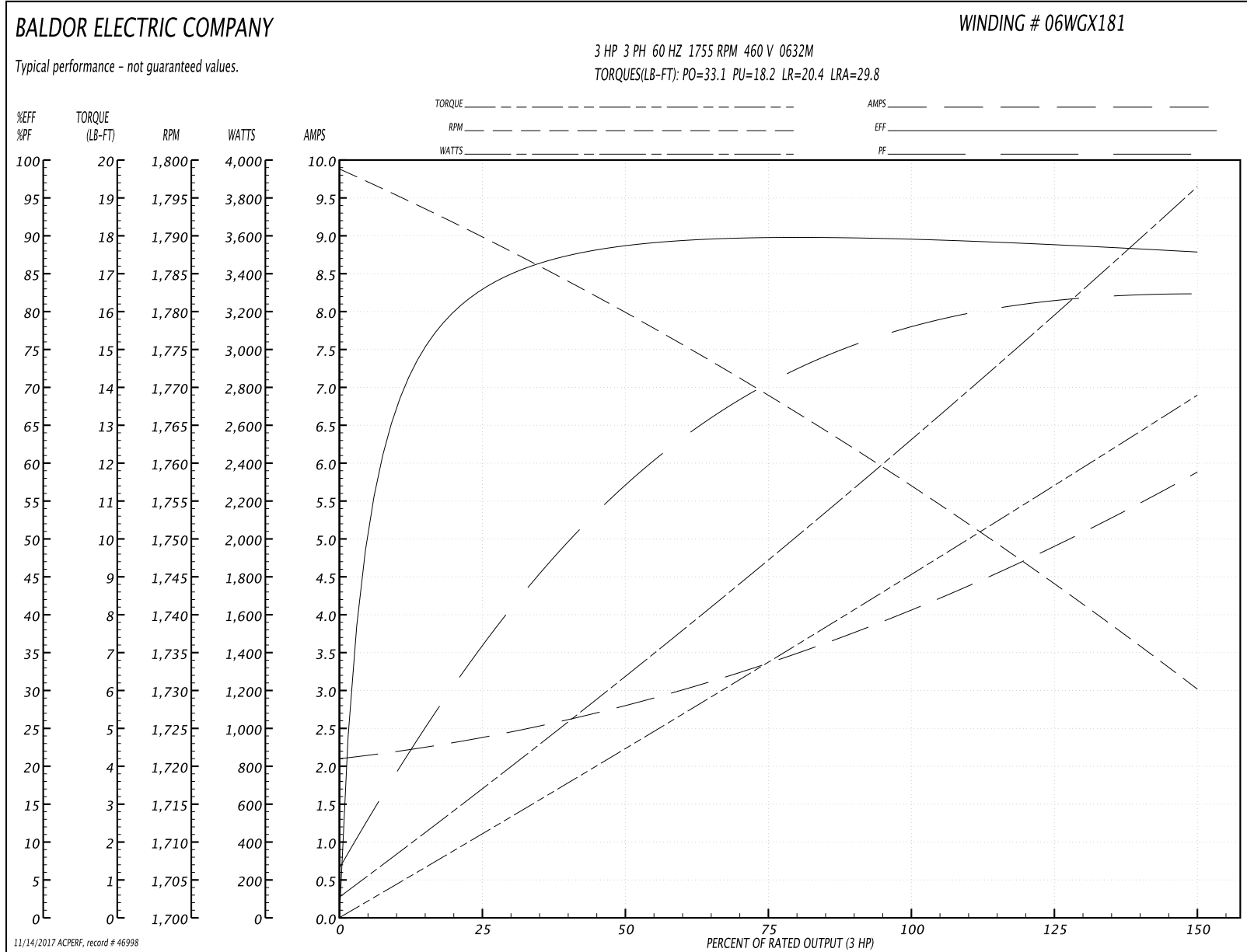
<b>Winding:</b> 06WGX181-R047	<b>Type:</b> 0632M	<b>Enclosure:</b> TEFC
-------------------------------	--------------------	------------------------

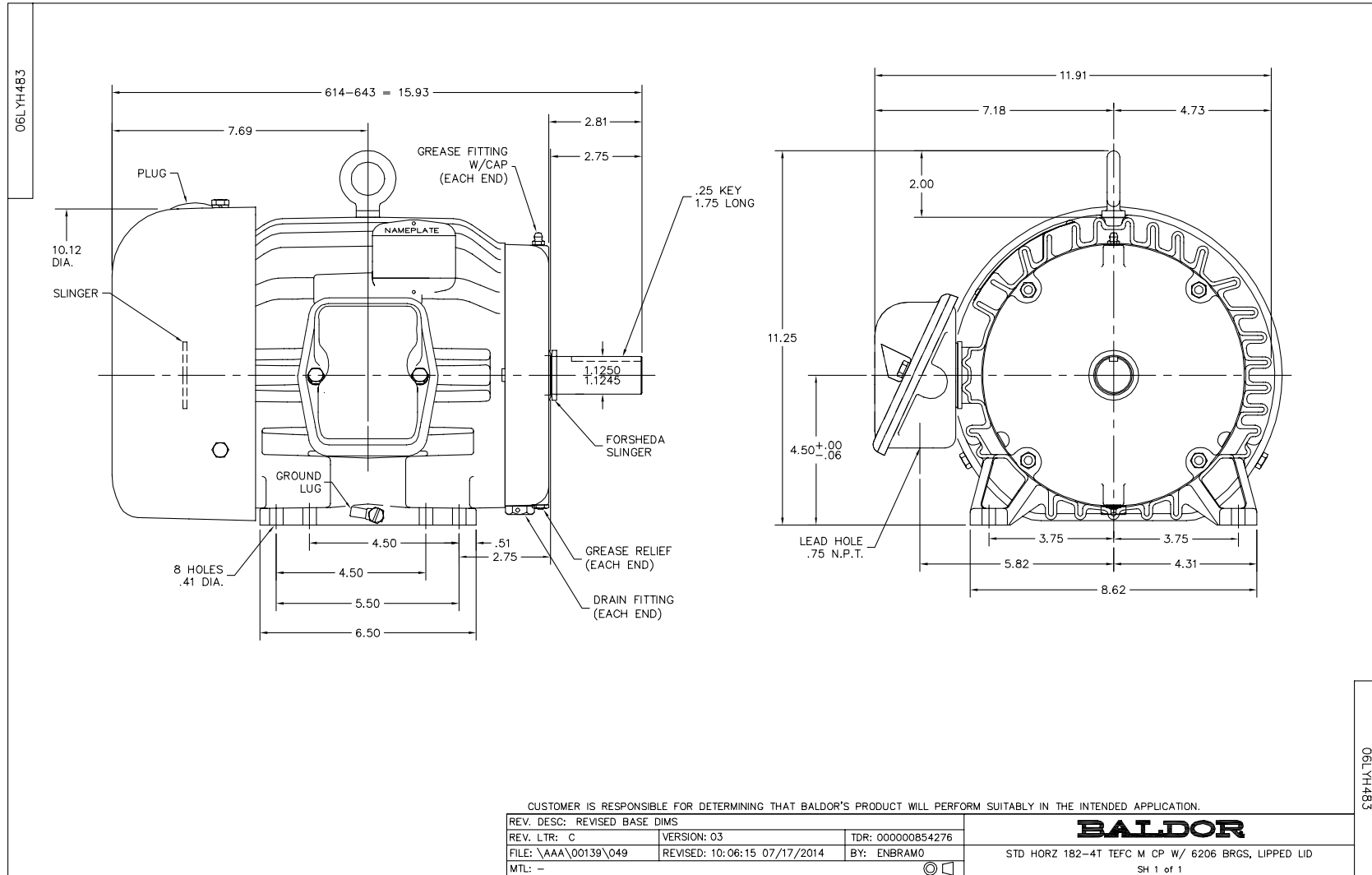
Nameplate Data				460 V, 60 Hz: High Voltage Connection	
Rated Output (HP)	3			Full Load Torque	9.06 LB-FT
Volts	208-230/460			Start Configuration	direct on line
Full Load Amps	8.6-8.2/4.1			Breakdown Torque	33.1 LB-FT
R.P.M.	1755			Pull-up Torque	18.2 LB-FT
Hz	60	Phase	3	Locked-rotor Torque	20.4 LB-FT
NEMA Design Code	B	KVA Code	J	Starting Current	29.8 A
Service Factor (S.F.)	1.15			No-load Current	2.14 A
NEMA Nom. Eff.	89.5	Power Factor	77	Line-line Res. @ 25°C	3.92 Ω
Rating - Duty	40C AMB-CONT			Temp. Rise @ Rated Load	35°C
S.F. Amps				Temp. Rise @ S.F. Load	42°C
				Rotor inertia	0.298 LB-FT <sup>2</sup>

Load Characteristics 460 V, 60 Hz, 3 HP

% of Rated Load	25	50	75	100	125	150	S.F.
Power Factor	38	58	70	77	81	83	79
Efficiency	83.6	88.9	90.1	89.9	89.1	87.8	89.4
Speed	1789.5	1779.3	1768.8	1757	1744.4	1730	1749
Line amperes	2.34	2.79	3.39	4.1	4.91	5.86	4.59

Performance Graph at 460V, 60Hz, 3.0HP Typical performance - Not guaranteed values







CD0005



LOW VOLTAGE  
(2Y)



LINE

HIGH VOLTAGE  
(1Y)



LINE

NOTES:

1. INTERCHANGE ANY TWO LINE LEADS TO REVERSE ROTATION.
2. OPTIONAL THERMOSTATS ARE PROVIDED WHEN SPECIFIED.
3. ACTUAL NUMBER OF INTERNAL PARALLEL CIRCUITS MAY BE A MULTIPLE OF THOSE SHOWN ABOVE.
4. LEAD COLORS ARE OPTIONAL. LEADS MUST ALWAYS BE NUMBERED AS SHOWN.

REV. DESC: REVISE TO SHOW OPTIONAL COLORS			
REV. LTR: E	BY: JLP	REVISED: 01/19/99 10:15	TDR: 0171435
9000D		FILE: AAA00005140	MDL: -
		MTL: -	

**BALDOR ELECTRIC Co.**

3PH, DV, 9 LEADS

CD0005