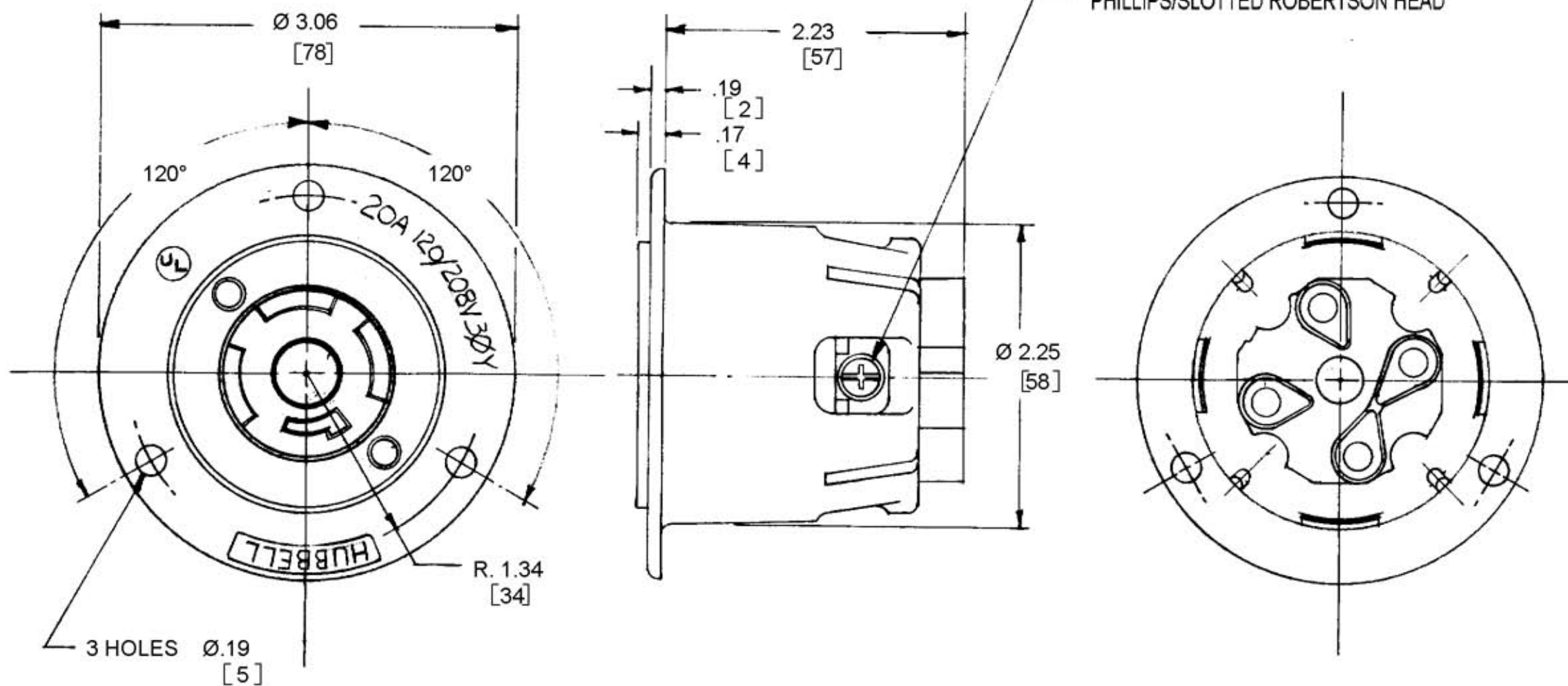



M-6171

3



CAT. NO.	CONFIGURATION	RATING
HBL7409C	4 POLE 4 WIRE 	20A 120/208V 3 $\phi$ Y

## LIST OF PARTS

DESCRIPTION	MATERIAL	FINISH
BODY	NYLON	NATURAL
RETAINER	POLY CARBONATE	CLEAR
CASING	NYLON	NATURAL
WIRE CLAMPS	.080 C.R.S.	NICKEL PLATE
CONTACT SPRINGS	.031 BRASS	
TERMINAL SCREWS	BRASS	1- WHITE 3- BRASS

DIMENSION SHEET FOR CAT. NO. SEE TABLE

REPAIRABLE NON-REPAIRABLE 

B

M-6171

3

3	RETAINER MAT. POLY WAS LEXAN, REVISED SCREW NOTE ADDED HBL TO CAT. NO PER DCN8996 MYA NUMEROUS CHANGES, SEE RECORD	CJC	10/16/01
2	PRINT PER DCN 4114-010 20A 120/208V 3 $\phi$ Y 20A 120/208V 3 $\phi$ Y CONTACT SEE DEN 2994 E 28	JZ	6-13-96
1		WUH	9-19-94
SYM	REVISIONS	APP	DATE

THE DESIGN AND DIMENSIONS OF THE PRODUCT SHOWN ON THIS DRAWING ARE SUBJECT TO CHANGE WITHOUT NOTICE

TITLE  
20A TWIST-LOCK OUTLETS  
NON-NEMA

TOLERANCES UNLESS OTHERWISE SPECIFIED  
FRACTIONS  $\pm 1/64$   
DECIMALS  $\pm .005$   
ANGLES  $\pm 2^\circ$

WIRING DEVICE-KELLEMS  
HUBBELL INCORPORATED  
BRIDGEPORT, CT

DR. BY J.R.	APP. BY
TR. BY	SCALE FULL
CHK'D BY	DATE 4/11/79