



Core & Coil (71A) LPS

CORE & COIL HID LPS BAL 135/180W L73/74 QUAD C&C

The basic ballast is the open core and coil which is most often used as a component within a lighting luminaire. The core and coil also forms the nucleus of Philips Advance's five other ballast configurations.

Product data

General Information		Electrical	
ANSI Code	L74	Input Current (Short Circuit)	0.72-1.08/0.35-0.53/0.36-0.55/0.3-0.45 A
Lamp Type	180W LPS	Secondary Short Circuit Current	0.92-1.12 A
Number of Lamps	1 piece/unit	Constant Wattage Deviation	10%
Circuit Type	HX-HPF	Ballast Factor (Nom)	1
Ballast Type	Magnetic HID	Power Factor (Nom)	0.90
Base Model	71A0790	Open Circuit Voltage	695 V
Core Size	4 1/4 x 5 3/4 (2 coil)	Input Current (Nom)	1.8/1/0.89/0.75 A A
Suitable For Outdoor Use	Yes	Input Power (Nom)	208 W
Capacitor Value	16 MFD	Rated Lamp Power	180 W
Capacitor Catalog Number	7C160P40	Wiring	
Capacitor Requirements	330V	Wire Striplength	0.5 mm
Capacitor Temperature Rating	105°C	Wire Length by Color	12"
Capacitor Diameter/Oval	1.75 in	Wire Type	Stranded
Dimensions		Remote Wiring Configuration	Yes
Capacitor Height	3.75 in	Allowed	
Automatic Restart	No	Max Ballast-Lamp Distance	Determined by AWG used
Operating and Electrical		Remote Wiring	
Input Voltage	120/208/240/277 V	Recommended Fuse Value	15/7/7/6 A
Input Frequency	60 Hz	Approval and Application	
Input Current (Open Circuit)	5.28/2.82/2.65/2.25 A	Open Circuit Voltage Test (Volts)	625-765 V
Input Current (Starting)	2.15/1.2/1.06/0.92 A	Approval Marks	ULR CSA certificate RoHS Compliant

Core & Coil (71A) LPS

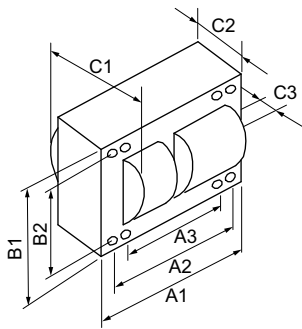
Temperature Marking	A/A/A/A
UL Recognized	Yes
Hipot Test (1 Minute)	2000 V
Hipot Test (2 Seconds)	2500 V
UL Insulation Class	H(180°C)
UL Temperature Code	1029A

EAN/UPC - Product	781087119877
Order code	913700502111
Numerator - Quantity Per Pack	1
Numerator - Packs per outer box	3
Material Nr. (12NC)	913700502111
Net Weight (Piece)	6.972 kg

Product Data

Order product name	CORE & COIL HID LPS BAL 135/180W L73/74 QUAD C&C
--------------------	--

Dimensional drawing



LPS BAL 135/180W L73/74 QUAD C&C

Product	C1	C2	A1	A2	A3	B1	B2	C3
CORE & COIL HID 71A0790500D	4 in	2.35 in	5.8 in	5.4 in	4.4 in	4.3 in	3.9 in	1.3 in

