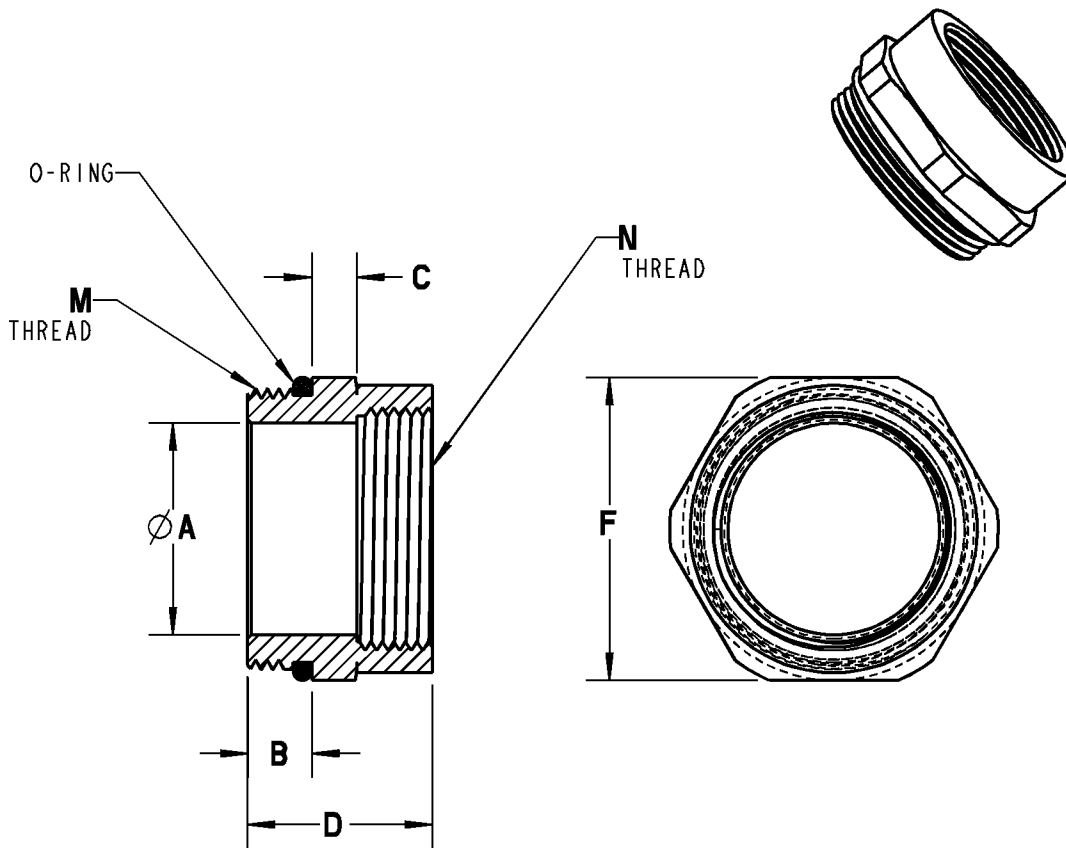


Pos-E-Kon™



1. MATERIAL:
 ADAPTER- STEEL WITH ZINC AND CHROME PLATING
 O-RING- NEOPRENE

CATALOG NUMBER	Ø A	B	C	D	F	M (METRIC)	N (NPT)
M20-38	.591 [15]	.236 [6]	.276 [7]	.787 [20]	.866 [22]	M20 X 1,5	3/8-18
M20-50	.669 [17]	.314 [8]	.209 [5.5]	.885 [22.5]	1.062 [27]	M20 X 1,5	1/2-14
M25-75	.866 [22]	.393 [10]	.197 [5]	.897 [22.8]	1.259 [32]	M25 X 1,5	3/4-14
M32-100	1.102 [28]	.393 [10]	.236 [6]	.984 [25]	1.574 [40]	M32 X 1,5	1 1/4-11/2
M32-125	1.259 [32]	.393 [10]	.236 [6]	1.181 [30]	1.968 [50]	M32 X 1,5	1-1/4 11-1/2
M40-125	1.496 [38]	.393 [10]	.236 [6]	1.259 [32]	1.968 [50]	M40 X 1,5	1-1/4 11-1/2
M40-150	1.496 [38]	.393 [10]	.236 [6]	1.259 [32]	2.363 [60]	M40 X 1,5	1-1/2 11-1/2

GENERAL NOTES

- ALL DIMENSIONS ARE FOR REFERENCE ONLY.
- DIMENSIONS IN BRACKETS [] ARE IN METRIC UNITS.

REVISIONS

0 SEE ERN (****) FOR APPROVAL SIGNATURES & RELEASE DATE.
 PROJECT NO: ****

Thomas & Betts
 www.tnb.com

DESCRIPTION:

THREAD ADAPTER, METRIC/NPT

ORIGINAL PROJECT NO / (ERN NO)

TD55594 / (2004937)

SHEET NO:

1 OF 1

REV. NO:

0

DRAWING NO:

WSD-000097