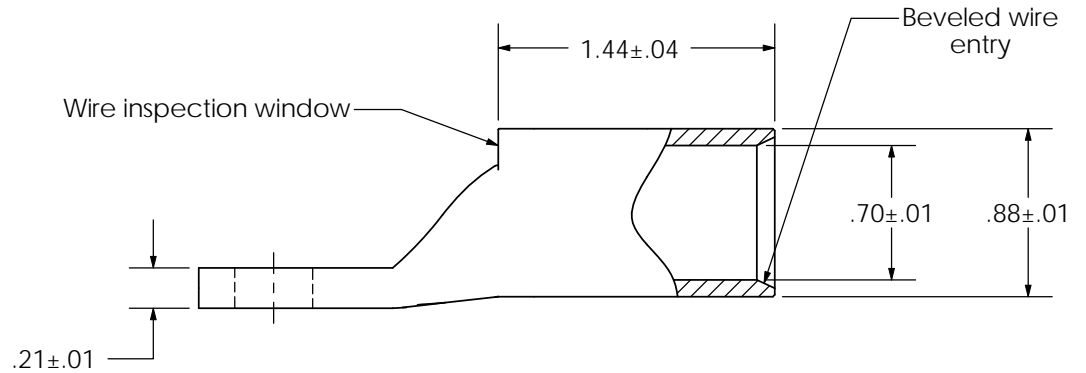
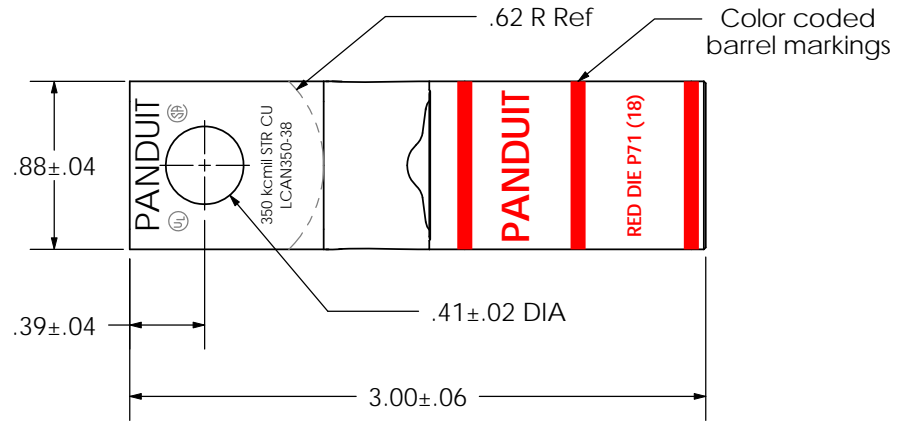


THIS COPY IS PROVIDED ON A RESTRICTED BASIS AND IS NOT TO BE USED IN ANY WAY DETRIMENTAL TO THE INTERESTS OF PANDUIT CORP.

| | |
|--|--|
| Material | High Conductivity Seamless Copper Tube |
| Plating | Electro-Tin |
| Wire Size | 350 kcmil |
| Wire Type | Stranded Copper; Class B: Compact, Compressed or Concentric, Class C: Concentric |
| Wire Strip Length | 1-1/2 in. |
| Stud Size | 3/8 in. |
| UL Listed Wire Connector | Yes, for applications up to 35kv. Consult cable manufacturer for voltage stress relief instructions with applications greater than 2000 volts. |
| UL Temperature Rating | 90° C |
| C.S.A Certified Wire Connector | Yes |
| Panduit Color Code on Barrel | RED |
| Panduit Die Index No. on Barrel | P71 |
| Alternate Industry Die Index No. () on Barrel | (18) |



| REV | DATE | BY | CHK | DESCRIPTION | ECN | SCALE | DRAWING NO / CAD FILE |
|-----|------|------|------|---|-----|-------|-----------------------|
| 01 | 1/11 | JHNU | JHNU | REVISED OVERALL LENGTH: WAS 2.98 REVISED TONGUE THICKNESS: WAS .17 | | N/A | LCAN350-38-CUST |

PANDUIT CORP. TINLEY PARK, ILLINOIS

LCAN350-38-X
Copper Lug - One-Hole, Narrow Tongue, Standard Barrel

DRAWING NO / CAD FILE
LCAN350-38-CUST