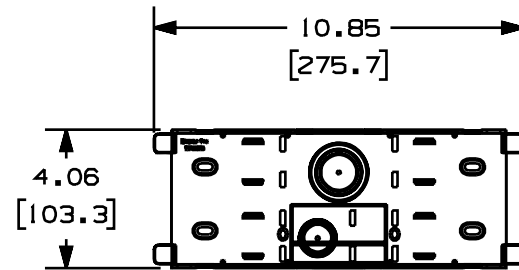


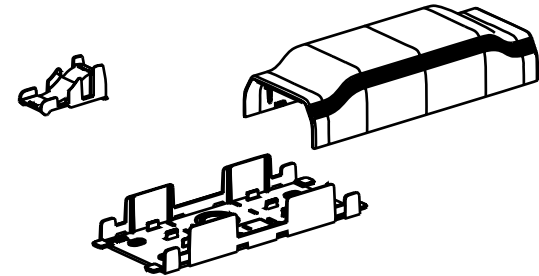
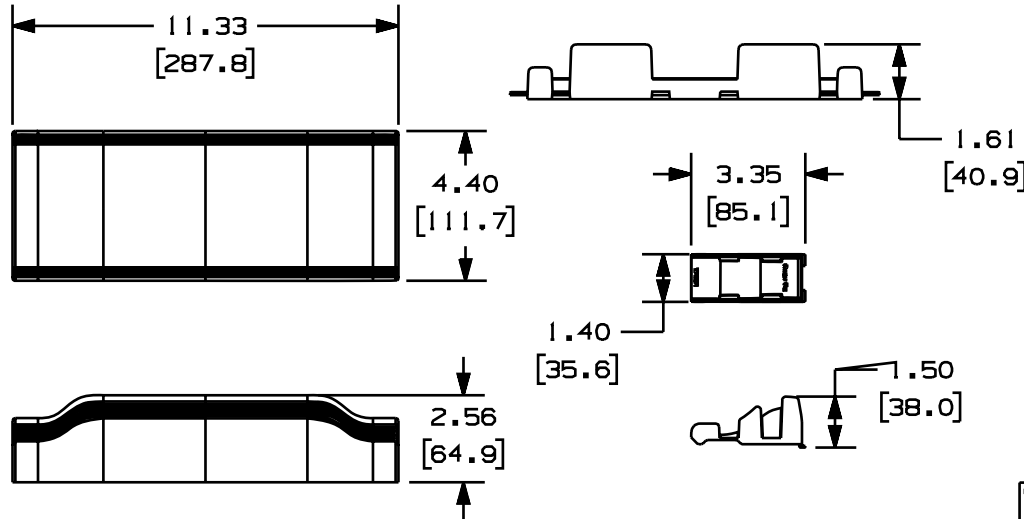
THIS COPY IS PROVIDED ON A RESTRICTED BASIS AND IS NOT TO BE USED IN ANY WAY DETRIMENTAL TO THE INTERESTS OF PANDUIT CORP.



PANDUIT P/N	WEIGHT
T70BF	.93 LB/EACH [420g /EACH]

NOTES:

1. SEE CURRENT CATALOG FOR ADDITIONAL PART SUFFIXES TO INDICATE COLOR AND/OR PACKAGE QUANTITY.
2. DIMENSIONS IN PARENTHESIS ARE IN METRIC.



CAD FILENAME/LAYERS D37788B0_DC_T70BF_00A.PRT

PANDUIT CORP. TINLEY PARK, ILLINOIS
T70 BACKFEED FITTING (T70BF)
CUSTOMER DRAWING

UNLESS OTHERWISE SPECIFIED, DIMENSIONAL TOLERANCES ARE:
(.X) : (.XXX) :
(.XX) : .03(.8) ANGLES :
UNLESS OTHERWISE SPECIFIED, ALL DIMENSIONS ARE GIVEN IN INCHES, THIRD ANGLE PROJECTION.

DRAWN BY REWE	MATERIALS PVC	SCALE NONE
DATE 4-17-01		DRAWING NO. 37788-08
CHK'D PM		DWG SIZE A

REV	DATE	BY	CHK	DESCRIPTION	ECN	R	CUST	SUP
R	4-17-01	REWE	PM	RELEASED TO PRODUCTION	37788-08	RGRO		