

8

7

6

5

4

3

2

1

D

D

C

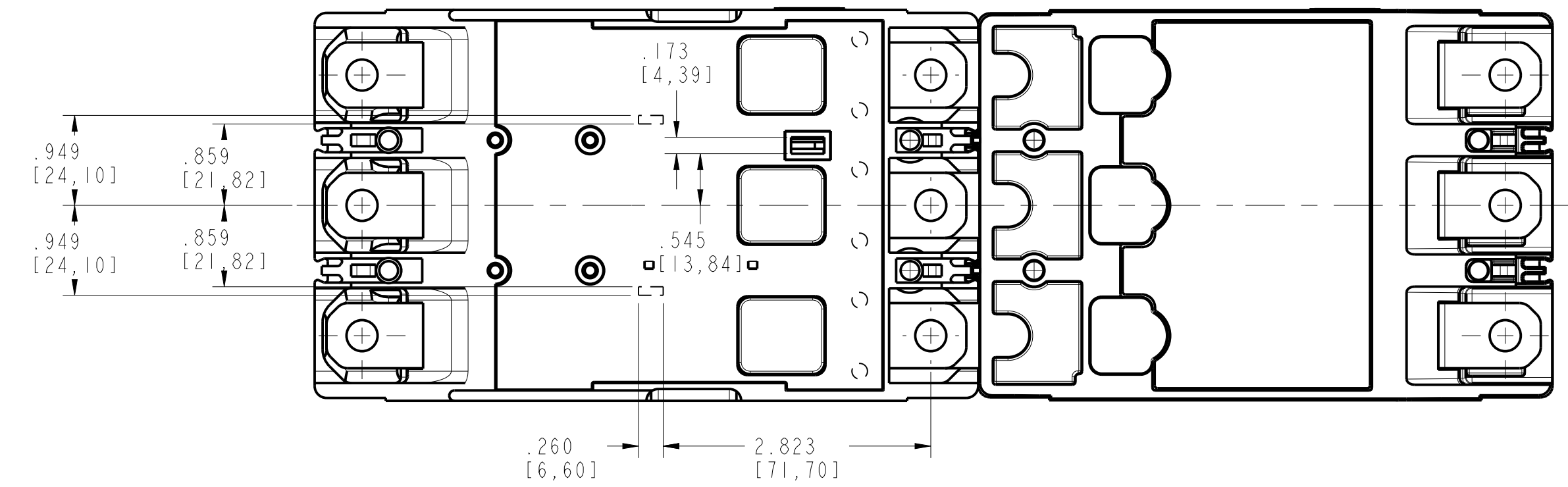
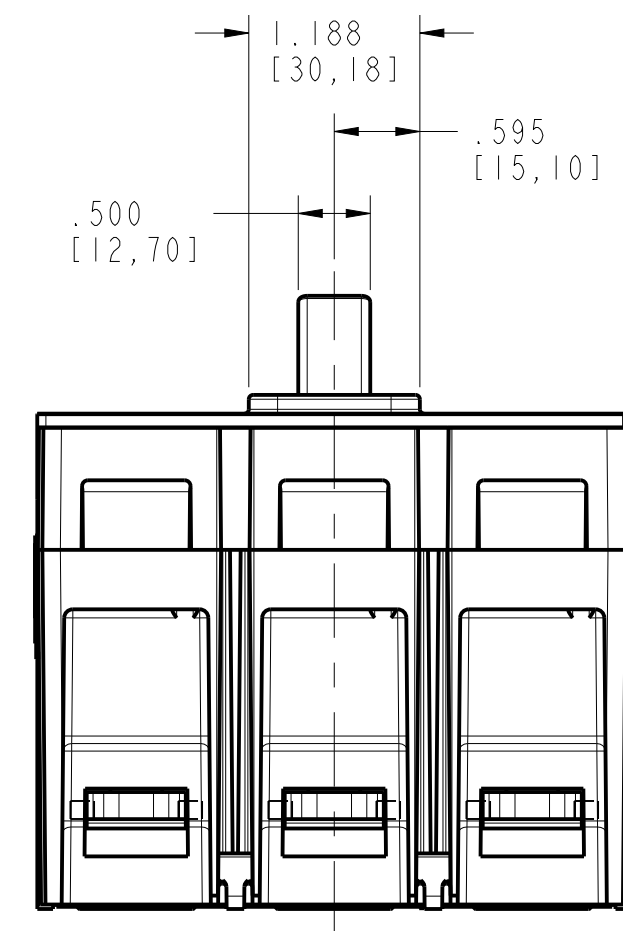
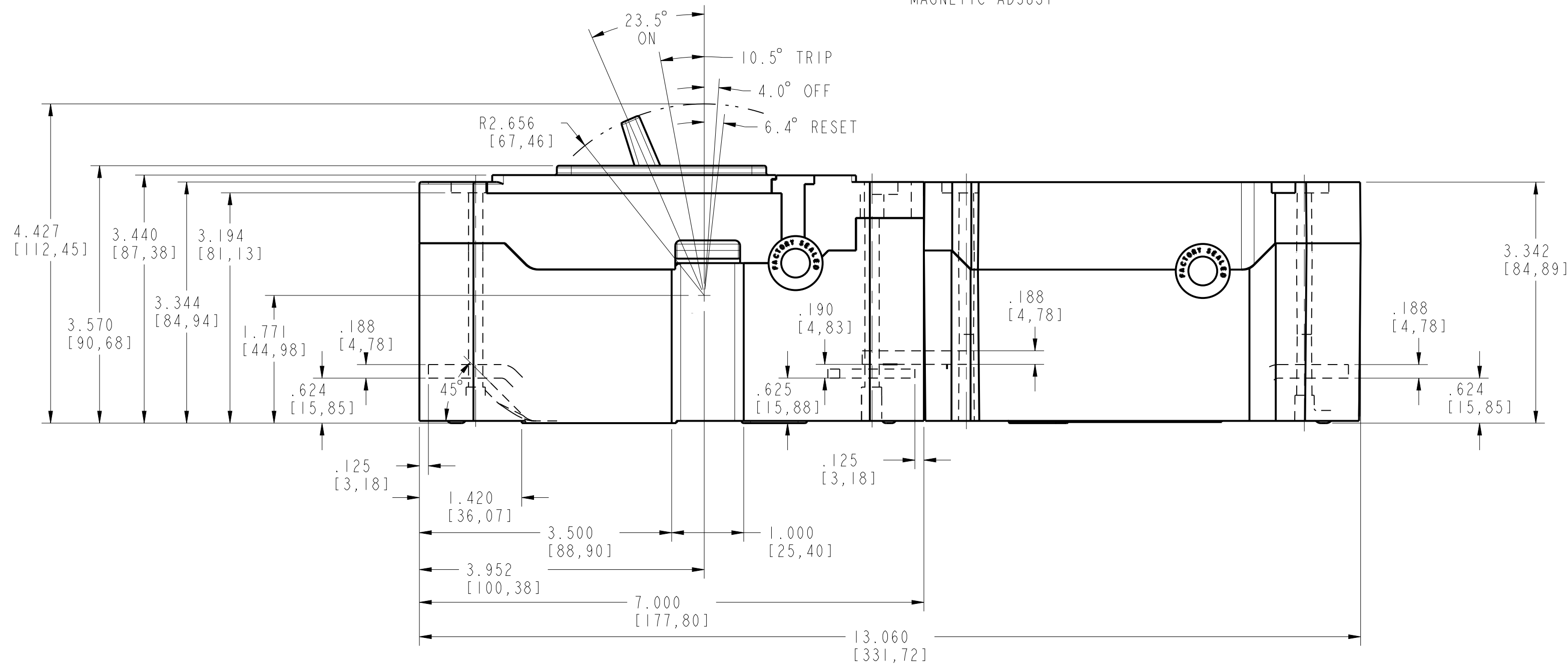
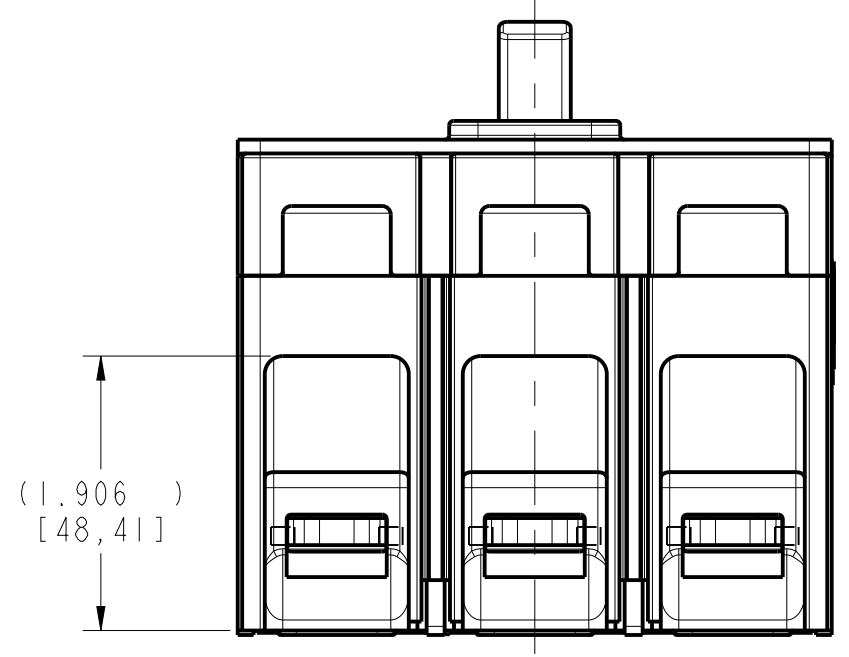
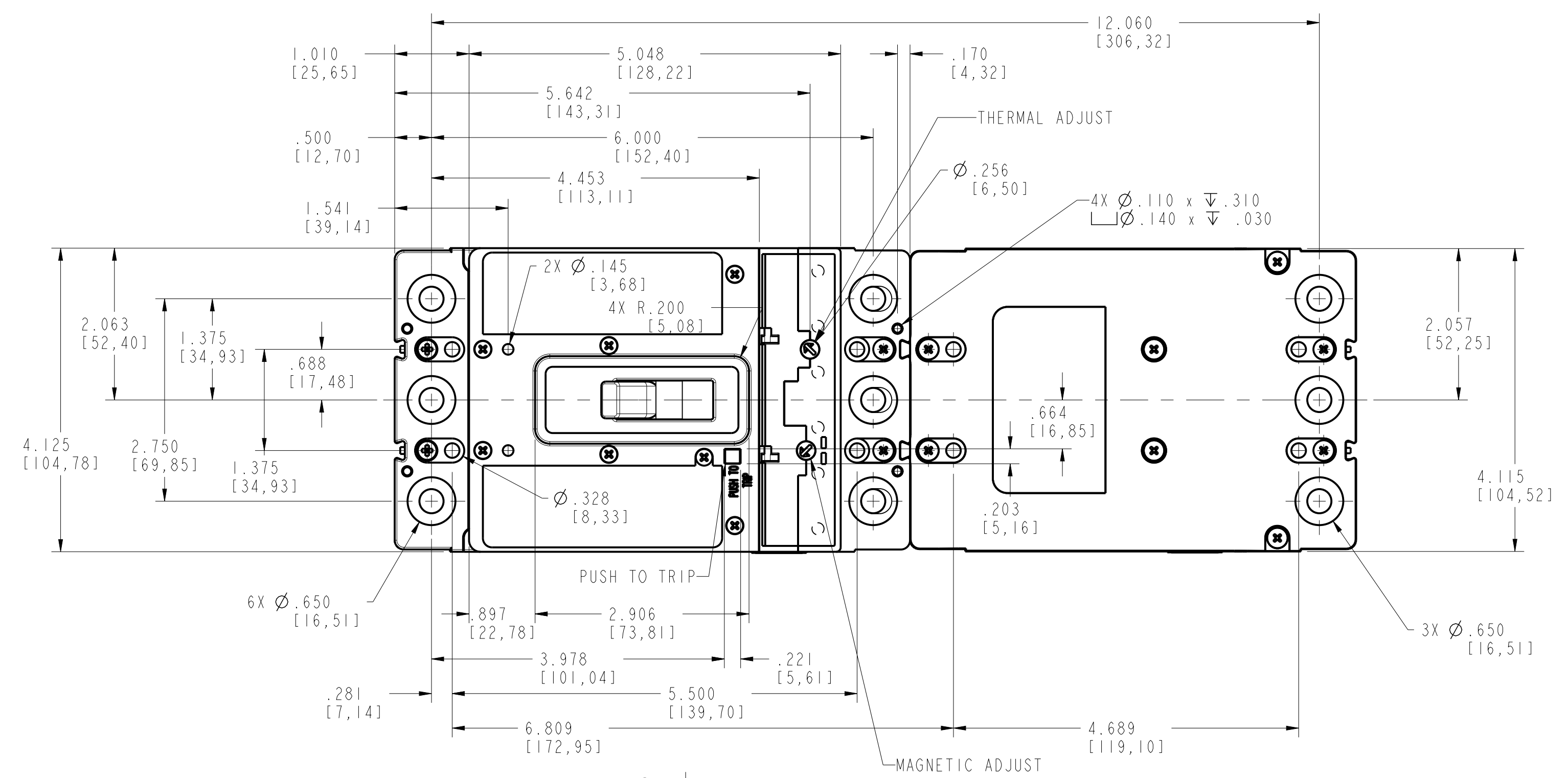
C

B

B

A

A



REVISION  
FJ-11597

UNLESS OTHERWISE SPECIFIED		DRAYER/DESIGNER P. MERCK	DATE 3-12-2012	EATON CORPORATION - CONFIDENTIAL AND PROPRIETARY	
ONE PLACE DEC	±.1	NOTICE TO PERSONS RECEIVING THIS DOCUMENT AND/OR TECHNICAL INFORMATION: THIS DOCUMENT, INCLUDING THE DRAWING AND INFORMATION CONTAINED THEREIN, IS CONFIDENTIAL AND IS THE EXCLUSIVE PROPERTY OF EATON CORPORATION. AND IS MERELY ON LOAN AND SUBJECT TO RECALL BY EATON AT ANY TIME. IT IS TO BE USED IN ANY MANNER ADHERENT TO THE INTERESTS OF EATON AND THAT NO PORTION OF THIS DOCUMENT MAY BE COPIED OR OTHERWISE REPRODUCED WITHOUT THE WRITTEN CONSENT OF EATON. IN THE CASE OF CONFLICTING CONTRACTUAL PROVISIONS, THIS NOTICE SHALL GOVERN THE STATUS OF THIS DOCUMENT.			
TWO PLACE DEC	±.01	R. MALINGOWSKI			
THREE PLACE DEC	±.001	APPD D. LITTLE		TITLE AB DE-ION CIRCUIT BREAKER TYPE JG BRKR JG CURR LIMITER 3 POLE OUTLINE	
ANGLE	±.5	ENGR REF		SCALE 0.750 : 1.000	
VOLTAGE	±1%	NEXT ASSY		PARTS LIST 69D2785	
RESISTANCE	±10%	TOOL REF		PRODUCT CODE 3036	
PAPERAGE	±10%	SPEC		SHEET NO. 1 OF 2	
FORCE/TORQUE/SPEED	±10%	ASME Y14.5M-1994		DRAWING IN ACCORDANCE WITH	
TIME	±15%	PER DRAWING 69D2785		© 2008 Eaton Corporation. All Rights Reserved	
TEMPERATURE	±10%	THIRD ANGLE PROJECTION			

8

7

6

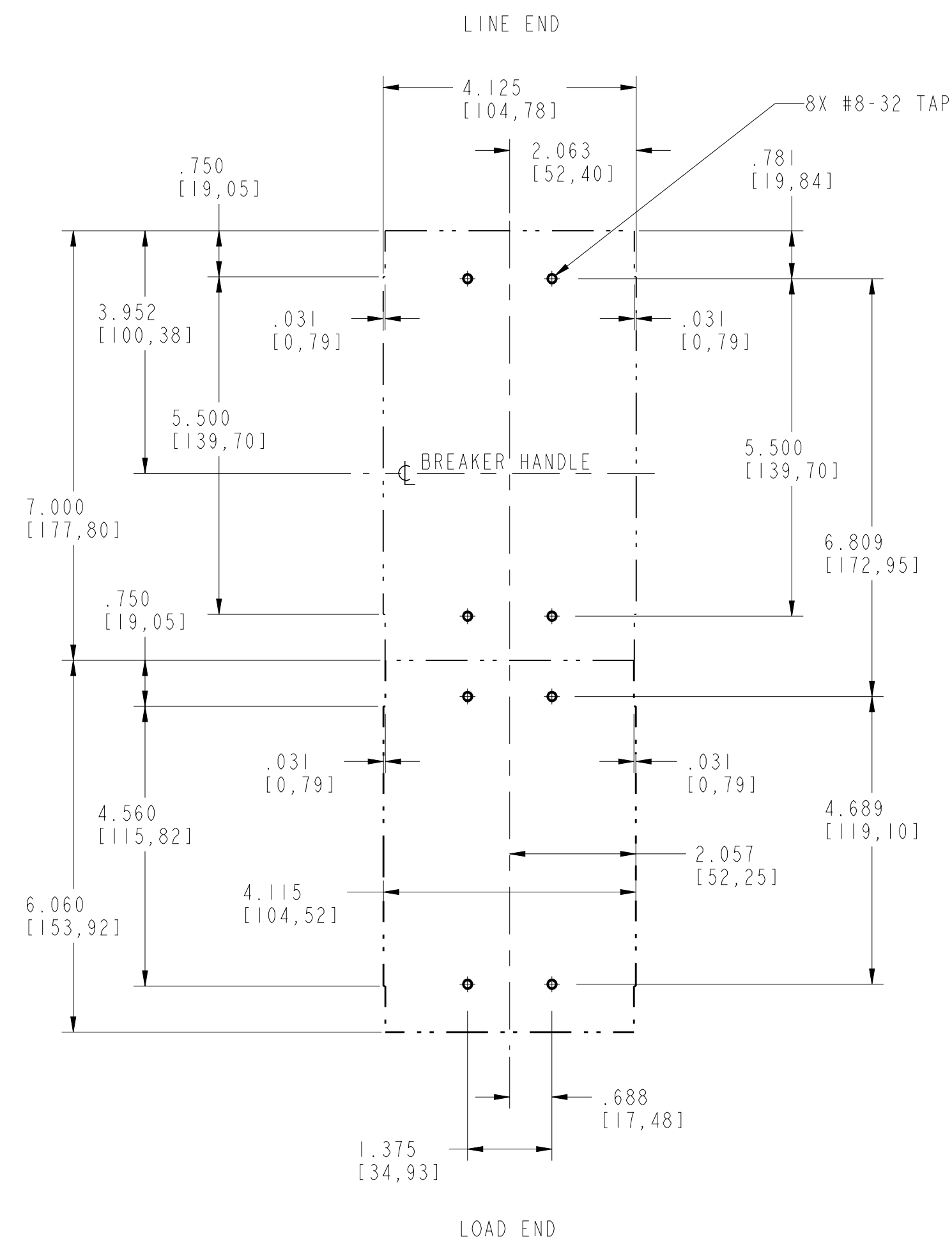
5

4

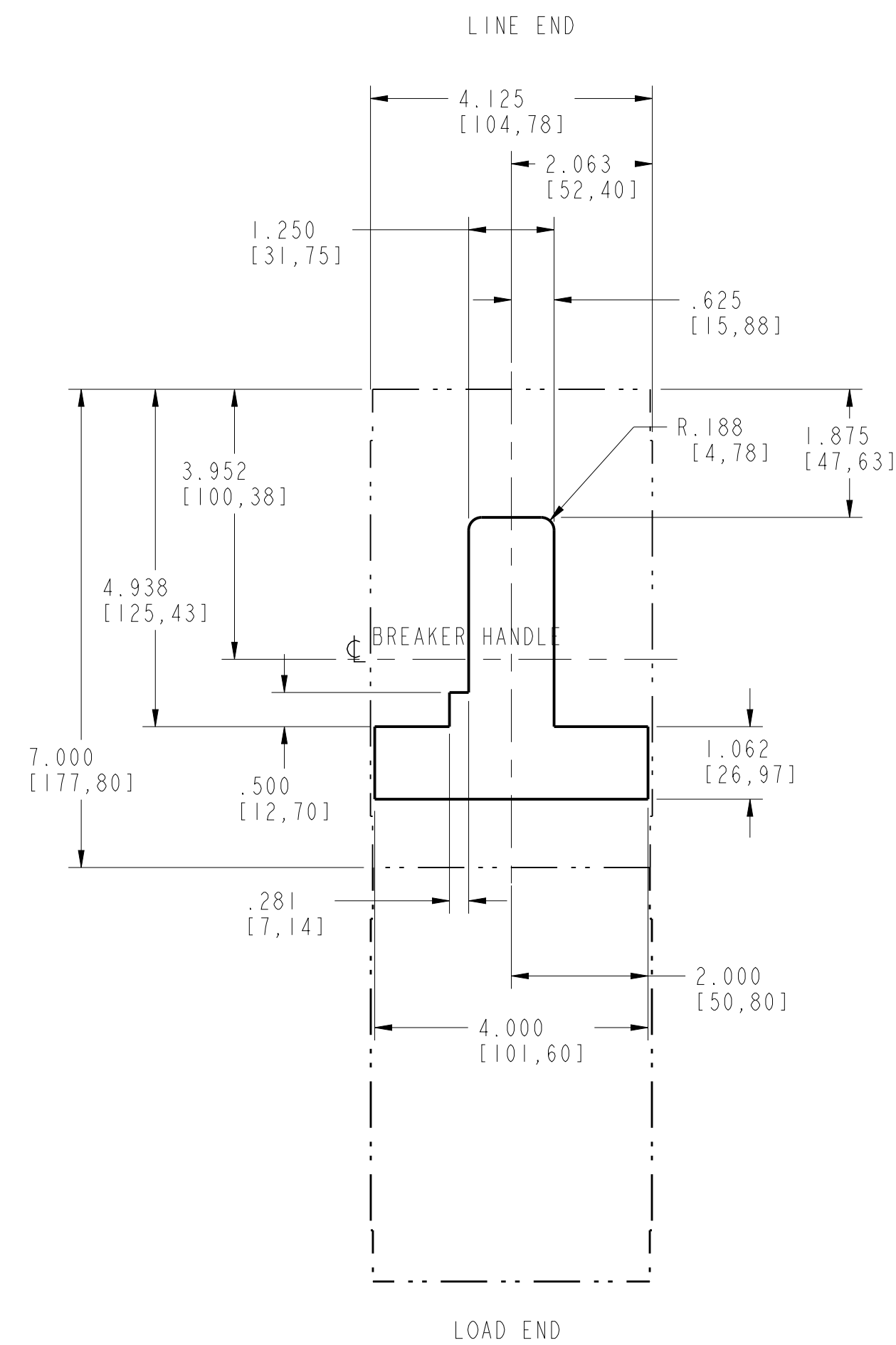
3

2

1



**FRONT CONNECTED DRILL PLAN**



**FRONT COVER CUTOUT**

REVISION  
FJ-11597

<b>UNLESS OTHERWISE SPECIFIED</b>		DRAWN/DESIGNER P. MERCK	DATE 3-12-2012	EATON CORPORATION - CONFIDENTIAL AND PROPRIETARY
DIMENSIONS IN INCHES	APPD	NOTICE TO PERSONS RECEIVING THIS DOCUMENT AND/OR TECHNICAL INFORMATION: THIS DOCUMENT, INCLUDING THE DRAWING AND INFORMATION CONTAINED THEREIN, IS CONFIDENTIAL AND IS THE EXCLUSIVE PROPERTY OF EATON CORPORATION. AND IS MERELY ON LOAN AND SUBJECT TO RECALL BY EATON AT ANY TIME. IF YOU ARE NOT AN EATON EMPLOYEE, YOU ARE NOT TO DISCLOSE THIS INFORMATION TO ANY OTHER PERSON WITHOUT THE WRITTEN CONSENT OF EATON. IN THE CASE OF CONFLICTING CONTRACTUAL PROVISIONS, THIS NOTICE SHALL GOVERN THE STATUS OF THIS DOCUMENT.		
ONE PLACE DEC	ENGR REF	EATON CORPORATION - CONFIDENTIAL AND PROPRIETARY		
TWO PLACE DEC	ENGR REF	EATON CORPORATION - CONFIDENTIAL AND PROPRIETARY		
THREE PLACE DEC	ENGR REF	EATON CORPORATION - CONFIDENTIAL AND PROPRIETARY		
ANGLES	ENGR REF	EATON CORPORATION - CONFIDENTIAL AND PROPRIETARY		
VOLTAJE	ENGR REF	EATON CORPORATION - CONFIDENTIAL AND PROPRIETARY		
RESISTANCE	ENGR REF	EATON CORPORATION - CONFIDENTIAL AND PROPRIETARY		
AMPERAGE	ENGR REF	EATON CORPORATION - CONFIDENTIAL AND PROPRIETARY		
FORCE-TORQUE SPEED	ENGR REF	EATON CORPORATION - CONFIDENTIAL AND PROPRIETARY		
TIME	ENGR REF	EATON CORPORATION - CONFIDENTIAL AND PROPRIETARY		
TEMPERATURE	ENGR REF	EATON CORPORATION - CONFIDENTIAL AND PROPRIETARY		
DRAWING IN ACCORDANCE WITH		EATON CORPORATION - CONFIDENTIAL AND PROPRIETARY		
ASME Y14.5M-1994		EATON CORPORATION - CONFIDENTIAL AND PROPRIETARY		
FIRST ANGLE PROJECTION		EATON CORPORATION - CONFIDENTIAL AND PROPRIETARY		
TITLE		EATON CORPORATION - CONFIDENTIAL AND PROPRIETARY		
AB DE-ION CIRCUIT BREAKER		EATON CORPORATION - CONFIDENTIAL AND PROPRIETARY		
TYPE JG BRKR JG CURR LIMITER		EATON CORPORATION - CONFIDENTIAL AND PROPRIETARY		
3 POLE OUTLINE		EATON CORPORATION - CONFIDENTIAL AND PROPRIETARY		
SIZE	SCALE	PARTS LIST	PRODUCT CODE	SHEET NO.
D	0.500 : 1.000	69D2785	3036	2 OF 2
DRAWING NO.		EATON CORPORATION - CONFIDENTIAL AND PROPRIETARY		
69D2785		EATON CORPORATION - CONFIDENTIAL AND PROPRIETARY		
© 2008 Eaton Corporation. All Rights Reserved				