

BALDOR® • ***RELIANCE***

Product Information Packet

CECP82334T-4

20HP, 1760RPM, 3PH, 60HZ, 256TC, 0964M, TEFC, F

Part Detail							
Revision:	B	Status:	PRD/A	Change #:		Proprietary:	No
Type:	AC	Elec. Spec:	09WGT417	CD Diagram:	CD0006	Mfg Plant:	
Mech. Spec:	09J532	Layout:	09LYJ532	Poles:	04	Created Date:	06-30-2017
Base:	RG	Eff. Date:	10-04-2017	Leads:	3#12		Y

Specs			
Catalog Number:	CECP82334T-4	Inverter Code:	Inverter Duty
Enclosure:	TEFC	KVA Code:	G
Frame:	256TC	Lifting Lugs:	Standard Lifting Lugs
Frame Material:	Iron	Locked Bearing Indicator:	Locked Bearing
Output @ Frequency:	20.000 HP @ 60 HZ	Motor Lead Quantity/Wire Size:	3 @ 12 AWG
Synchronous Speed @ Frequency:	1800 RPM @ 60 HZ	Motor Lead Exit:	Ko Box
Voltage @ Frequency:	460.0 V @ 60 HZ	Motor Lead Termination:	Ring Terminals
XP Class and Group:	CLI GP A,B,C,D	Motor Type:	0964M
XP Division:	Division II	Mounting Arrangement:	F1
Agency Approvals:	UR	Power Factor:	87
	CSA EEV	Product Family:	Chem Process S/P 32-8 IEEE 841
	CCSA US	Pulley End Bearing Type:	Ball
Auxillary Box:	No Auxillary Box	Pulley Face Code:	C-Face
Auxillary Box Lead Termination:	None	Pulley Shaft Indicator:	Standard
Base Indicator:	Rigid	Rodent Screen:	None
Bearing Grease Type:	Polyrex EM (-20F +300F)	Shaft Extension Location:	Pulley End
Blower:	None	Shaft Ground Indicator:	No Shaft Grounding
Constant Torque Speed Range:	1.3	Shaft Rotation:	Reversible

Current @ Voltage:	23.000 A @ 460.0 V	Shaft Slinger Indicator:	No Slinger
Design Code:	B	Speed Code:	Single Speed
Drip Cover:	No Drip Cover	Motor Standards:	NEMA
Duty Rating:	CONT	Starting Method:	Direct on line
Electrically Isolated Bearing:	Not Electrically Isolated	Thermal Device - Bearing:	None
Feedback Device:	NO FEEDBACK	Thermal Device - Winding:	None
Front Face Code:	Standard	Vibration Sensor Indicator:	No Vibration Sensor
Front Shaft Indicator:	None	Winding Thermal 1:	None
Heater Indicator:	No Heater	Winding Thermal 2:	None
Insulation Class:	F	XP Temp Code:	T3C

Nameplate NP3190									
STK.NO.	CECP82334T-4	P/N		ENCLOSURE	TEFC				
SPEC.	09J532T417	CC	010A	FRAME	256TC	S/N			
HP	20	CLASS	F	HZ	60	ODE BRG	6309	DE BRG	6309
RPM	1760	RPM MAX	2700	PH	3	DES	B	D.E. BRG.	45BC03X30X
VOLT	460	KVA-CODE	G	O.D.E. BRG.	45BC03X30X	GREASE	POLYREX EM		
AMP	23	MOTOR WEIGHT	322	BLANK					
RATING	40C AMB-CONT	MAX. KVAR	3.6	IP	56				
NEMA-NOM-EFF	93	# OF ROTOR BARS	40	SER.F.	1.15	INV.TYPE	PWM		
G.MIN.EFF	91.7	# OF STATOR SLOTS	48	PF	87				
TEMP CODE	T3C	INVERTER-TEMP-CODE	180						
TEMP =	160	C HP FR	60	C HP TO	90				
CT HZ FROM	1.3	CT HZ TO	60						
HTR-VOLTS		HTR-AMPS		HTR-WATTS		MAX. SPACE HEATER TEMP.		VT HZ FROM	0
								VT HZ TO	60

AC Induction Motor Performance Data

Record # 65528 - Typical performance - not guaranteed values

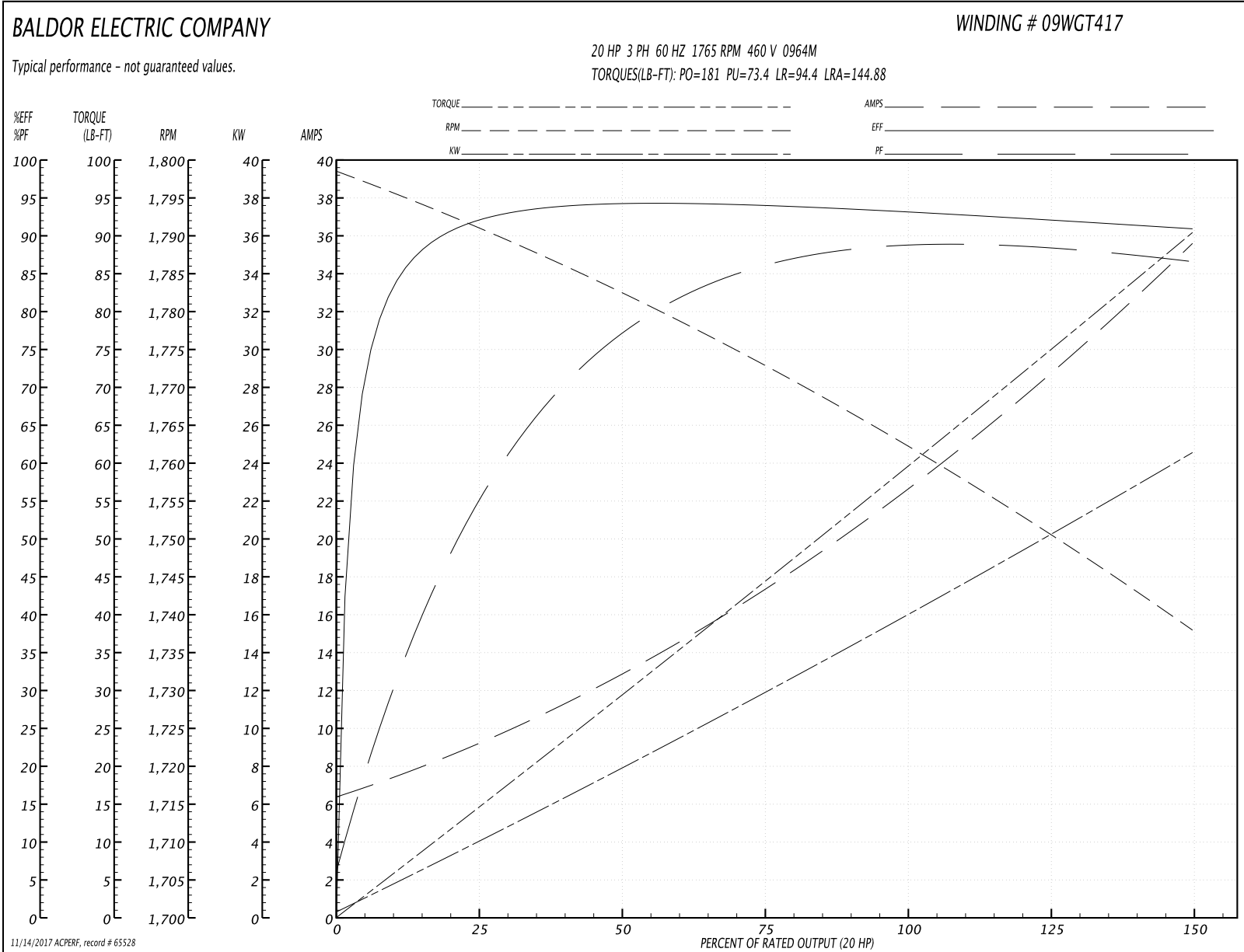
Winding: 09WGT417-R001	Type: 0964M	Enclosure: TEFC
-------------------------------	--------------------	------------------------

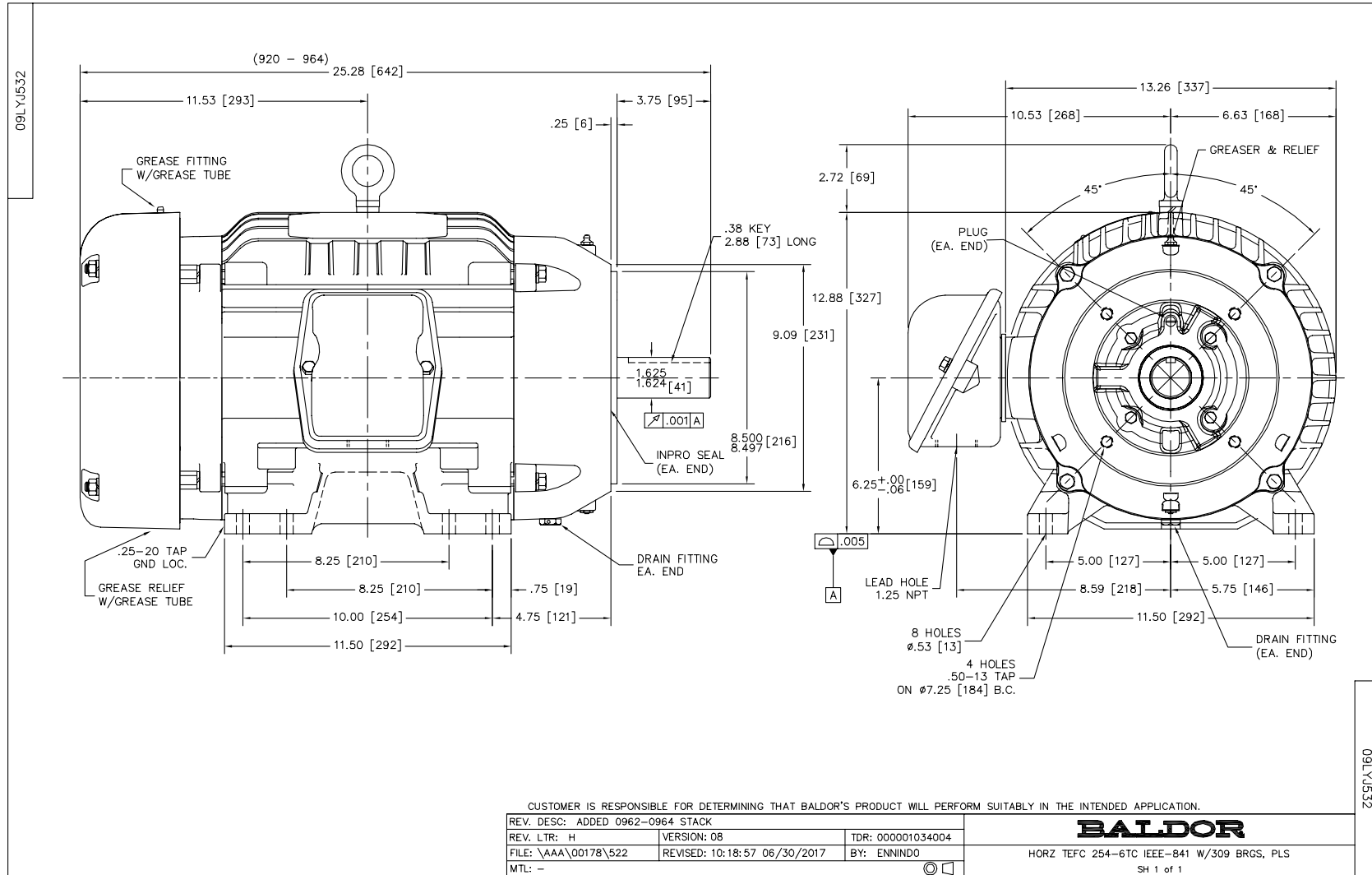
Nameplate Data				460 V, 60 Hz: Single Voltage Motor	
Rated Output (HP)	20			Full Load Torque	59.51 LB-FT
Volts	460			Start Configuration	direct on line
Full Load Amps	23			Breakdown Torque	181 LB-FT
R.P.M.	1765			Pull-up Torque	73.4 LB-FT
Hz	60	Phase	3	Locked-rotor Torque	94.4 LB-FT
NEMA Design Code	B	KVA Code	G	Starting Current	144.88 A
Service Factor (S.F.)	1.15			No-load Current	6.77 A
NEMA Nom. Eff.	93	Power Factor	87	Line-line Res. @ 25°C	0.41151 Ω
Rating - Duty	40C AMB-CONT			Temp. Rise @ Rated Load	57°C
S.F. Amps				Temp. Rise @ S.F. Load	73°C
				Locked-rotor Power Factor	27.8

Load Characteristics 460 V, 60 Hz, 20 HP

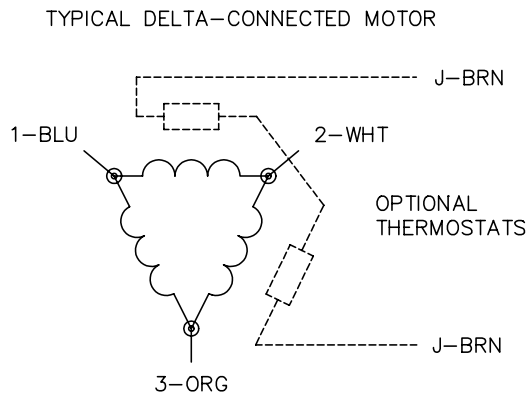
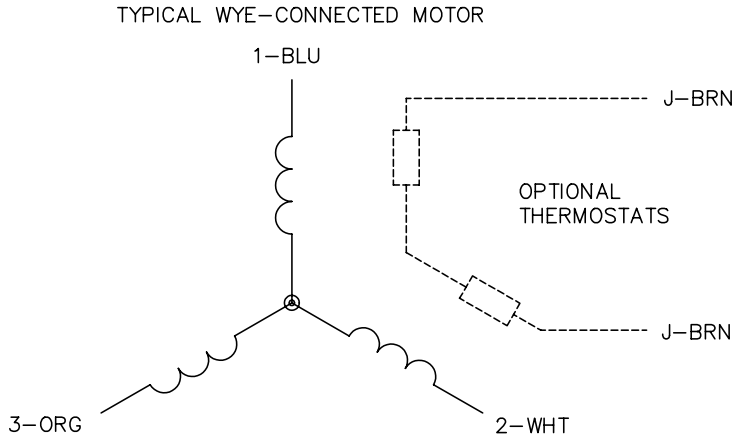
% of Rated Load	25	50	75	100	125	150	S.F.
Power Factor	59	78	85	87	88	87	88
Efficiency	91.7	93.9	93.9	93.3	92.2	90.8	92.6
Speed	1790.8	1782	1772.8	1763.1	1750.8	1737.6	1756
Line amperes	8.68	12.6	17.5	22.9	28.8	35.4	26.4

Performance Graph at 460V, 60Hz, 20.0HP Typical performance - Not guaranteed values





CD0006



NOTES:

1. THREE LEAD MOTOR MAY BE EITHER WYE CONNECTED OR DELTA CONNECTED.
2. INTERCHANGE ANY TWO LINE LEADS TO REVERSE ROTATION.
3. OPTIONAL THERMOSTATS ARE PROVIDED WHEN SPECIFIED.
4. ACTUAL NUMBER OF INTERNAL PARALLEL CIRCUITS MAY VARY.
5. LEAD COLORS ARE OPTIONAL. LEADS MUST BE NUMBERED AS SHOWN.

REV. DESC: REVISE TO SHOW OPTIONAL COLORS			
REV. LTR: D	BY: JLP	REVISED: 01/21/99 4:02	TDR: 0171435
9000D		FILE: AAA00005141	MDL: -
		MTL: -	

BALDOR ELECTRIC Co.

3PH, SV, 3 LEADS, WYE OR DELTA CONNECTED

CD0006