

STAINLESS STEEL HMI ENCLOSURES, TYPE 4X



APPLICATION

These stainless steel, front-door control enclosures are ideal for applications that require corrosion resistance and the suspension of process and control equipment for easy cleaning.

Use these enclosures with the CS480 and Compact Series 2 Pendant Arm Systems, Syspend 180-Max and Syspend 281-Max Suspension Systems.

SPECIFICATIONS

- Enclosure constructed of 1.5-mm Type 304 stainless steel
- Front door constructed of 1.5-mm Type 304 stainless steel
- Polyurethane foam gaskets
- Front door hinged on side
- Facilities for installing mounting plates
- Stainless steel safety latch mounted at side, away from protected space
- Can be mounted from top or bottom

BULLETIN: CCR6

INDUSTRY STANDARDS

UL 508A Listed; Type 4, 4X, 12; File No. E61997
cUL Listed per CSA C22.2 No. 94; Type 4, 4X, 12; File No. E61997

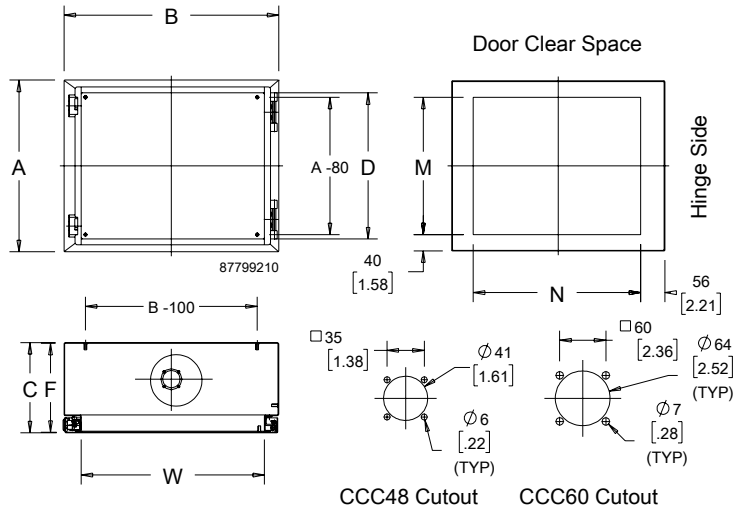
IEC 60529, IP66

Standard Product

Catalog Number	AxBxC mm	AxBxC in.	Compatibility	D (mm)	D (in.)	W (mm)	W (in.)	F (mm)	F (in.)	Door Clear Space M x N (mm)	Door Clear Space M x N (in.)	Mounting Plate
CCC48S302513	300 x 250 x 130	11.81 x 9.84 x 5.12	CS480	240	9.45	177	6.96	125	4.90	220 x 140	8.66 x 5.51	CCCP3025
CCC48S303513	300 x 350 x 130	11.81 x 13.78 x 5.12	CS480	240	9.45	277	10.86	125	4.90	220 x 240	8.66 x 9.45	CCCP3035
CCC48S354016	350 x 400 x 160	13.78 x 15.75 x 6.30	CS480	290	11.42	327	12.86	155	6.08	270 x 290	10.63 x 11.42	CCCP3540
CCC60S354016	350 x 400 x 160	13.78 x 15.75 x 6.30	Compact Series 2, Syspend 180-Max, Syspend 281-Max	290	11.42	327	12.86	155	6.08	270 x 290	10.63 x 11.42	CCCP3540
CCC48S404016	400 x 400 x 160	15.75 x 15.75 x 6.30	CS480	340	13.39	327	12.86	155	6.08	320 x 290	12.59 x 11.42	CCCP4040
CCC60S404016	400 x 400 x 160	15.75 x 15.75 x 6.30	Compact Series 2, Syspend 180-Max, Syspend 281-Max	340	13.39	327	12.86	155	6.08	320 x 290	12.59 x 11.42	CCCP4040
CCC48S405021	400 x 500 x 210	15.75 x 19.69 x 8.27	CS480	340	13.39	427	16.80	205	8.05	320 x 390	12.59 x 15.35	CCCP4050
CCC60S405021	400 x 500 x 210	15.75 x 19.69 x 8.27	Compact Series 2, Syspend 180-Max, Syspend 281-Max	340	13.39	427	16.80	205	8.05	320 x 390	12.59 x 15.35	CCCP4050
CCC48S455521	450 x 550 x 210	17.72 x 21.65 x 8.27	CS480	390	15.35	477	18.77	205	8.05	370 x 440	14.57 x 17.32	CCCP4555
CCC60S455521	450 x 550 x 210	17.72 x 21.65 x 8.27	Compact Series 2, Syspend 180-Max, Syspend 281-Max	390	15.35	477	18.77	205	8.05	370 x 440	14.57 x 17.32	CCCP4555
CCC48S505521	500 x 550 x 210	19.69 x 21.65 x 8.27	CS480	440	17.32	477	18.77	205	8.05	420 x 440	16.54 x 17.32	CCCP5055
CCC60S505521	500 x 550 x 210	19.69 x 21.65 x 8.27	Compact Series 2, Syspend 180-Max, Syspend 281-Max	440	17.32	477	18.77	205	8.05	420 x 440	16.54 x 17.32	CCCP5055
CCC48S605521	600 x 550 x 210	23.62 x 21.65 x 8.27	CS480	540	21.26	477	18.77	205	8.05	520 x 440	20.47 x 17.32	CCCP6055
CCC60S605521	600 x 550 x 210	23.62 x 21.65 x 8.27	Compact Series 2, Syspend 180-Max, Syspend 281-Max	540	21.26	477	18.77	205	8.05	520 x 440	20.47 x 17.32	CCCP6055
CCC60S605530	600 x 550 x 300	23.62 x 21.65 x 11.81	Compact Series 2, Syspend 180-Max, Syspend 281-Max	540	21.26	477	18.77	295	11.60	520 x 440	20.47 x 17.32	CCCP6055

Pendant Cutout

Catalog Numbers	Pendant Cutout	Weight (lb.)	Weight (kg)
CCC48S302513	CCC48	14.00	6.4
CCC48S303513	CCC48	14.00	6.4
CCC48S354016	CCC48	16.00	7.3
CCC48S404016	CCC48	20.00	9.1
CCC48S405021	CCC48	26.00	11.8
CCC48S455521	CCC48	28.00	12.7
CCC48S505521	CCC48	30.00	13.6
CCC48S605521	CCC48	32.00	14.5
CCC60S354016	CCC60	16.00	7.3
CCC60S404016	CCC60	20.00	9.1
CCC60S455521	CCC60	28.00	12.7
CCC60S405021	CCC60	26.00	11.8
CCC60S505521	CCC60	30.00	13.6
CCC60S605521	CCC60	32.00	14.5
CCC60S605530	CCC60	36.00	16.3

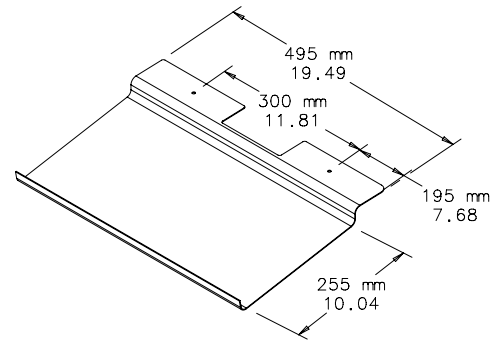


KEYBOARD SHELF



Shelf is for 350-mm and wider enclosures. Stainless steel. 10-degree slope. Mounting hardware included. Enclosure machining required.

BULLETIN: CCR6Y



87746342

Catalog Number	Description	Weight (lb.)
CCSSKBT	Keyboard shelf	4.9

MOUNTING PLATE



Plate is for mounting equipment on the rear panel. Made of 3-mm plated steel. Mounted using pins on the rear panel.

BULLETIN: CCR6Y

Catalog Number	Height (mm)	Height (in.)	Width (mm)	Width (in.)	Weight (lb.)
CCCP3025	230	9.06	170	6.69	2.0
CCCP3035	230	9.06	270	10.63	2.0
CCCP3540	280	11.02	320	12.60	3.0
CCCP4040	330	12.99	320	12.60	3.0
CCCP4050	330	12.99	420	16.54	4.0
CCCP4555	380	14.96	470	18.50	5.0
CCCP5055	430	16.93	470	18.50	6.0
CCCP6055	530	20.87	470	18.50	7.0

HANDLES



Handles are stainless steel for mounting on enclosure sides. Mounting hardware included. Enclosure machining required. (Handles are not required to use the Syspend VHDS-Motion Arm.)

BULLETIN: CCR6Y

Catalog Number	Description	Weight (lb.)
CCSSHDL	Handles for CC480/600 enclosures	5.0