

M-9426|2

FIGURE 2

WIRE	COLOR
1	BLACK
2	WHITE
3	GREEN/YELLOW
4	BLACK

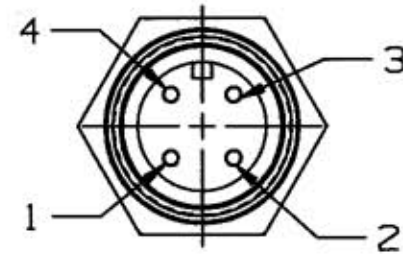
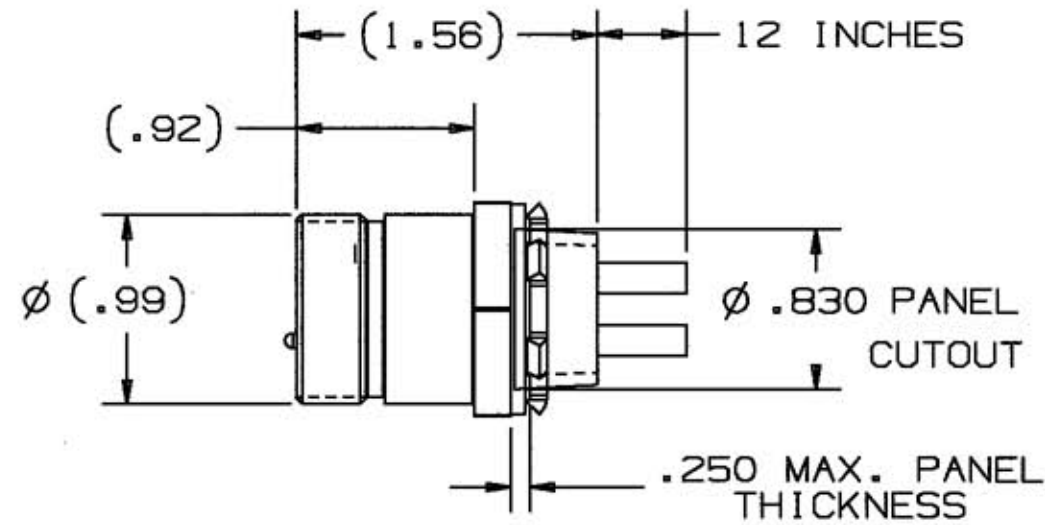
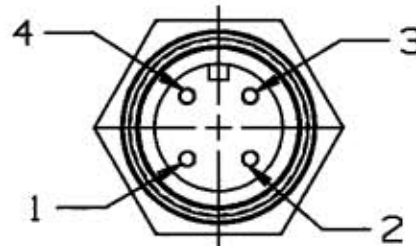


FIGURE 1

WIRE	COLOR
1	BLACK
2	BLACK
3	GREEN/YELLOW
4	BLACK



CATALOG NUMBER (XXX INDICATES LENGTH)	SEE FIGURE NUMBER	NUMBER OF POLES	AMPS
RM3004PAXXX	1	4	30
RM3004PBXXX	2	4	30

LIST OF PARTS

DESCRIPTION	MATERIAL	FINISH
RECEPTACLE SHELL	BRASS	NICKEL
INSULATOR	NYLON	WHITE
LOCKNUT	STEEL	ZINC
GASKET		YELLOW
SOCKET CONTACT	COPPER ALLOY	GOLD OVER Pd/Ni
WIRE	12 AWG	

SYM	REVISIONS	APP	DATE
2	12/14/04 REVISED CHANGED DIMS. FROM 1.44 TO 1.56 FROM .80 TO .92 PER DCN 12131 CAC	RDK	12/15/04
1	8/4/04 RELEASED PER EC#11927 MJM RDK	RDK	8/5/04

THE DESIGN AND DIMENSIONS OF THE PRODUCT SHOWN ON THIS DRAWING ARE SUBJECT TO CHANGE WITHOUT NOTICE

TITLE
30A MALE RECEPTACLE ASSY. (4P)

TOLERANCES UNLESS OTHERWISE SPECIFIED FRACTIONS ± 1/64 DECIMALS ± .005 ANGLES ± 2'	WIRING DEVICE-KELLEMS HUBBELL INCORPORATED BRIDGEPORT, CT	
	DR. BY MJM	APP. BY
	TR. BY	SCALE 2:1
	CHK'D BY	DATE 8/5/04

DIMENSION SHEET FOR CAT. NO. SEE TABLE REPAIRABLE NON-REPAIRABLE B M-9426 2