



INSTRUCTION MANUAL FOR:

# ProAir Heat Exchangers XR20, XR29, XR47 & XR60



McLean Thermal  
11611 Business Park Blvd. N Champlin, MN 55316  
Tel: 763-323-8200 Fax: 763-576-3200

[www.mcleanthermal.com](http://www.mcleanthermal.com)

87922486

Part No. 10-1008-190 Rev. 2

# Contents

1. Features
1. Design Data
2. Dimensional Details
3. Cutout Drawings (XR20 & XR29)
4. Cutout Drawings (XR47 & XR60)
5. Warranty

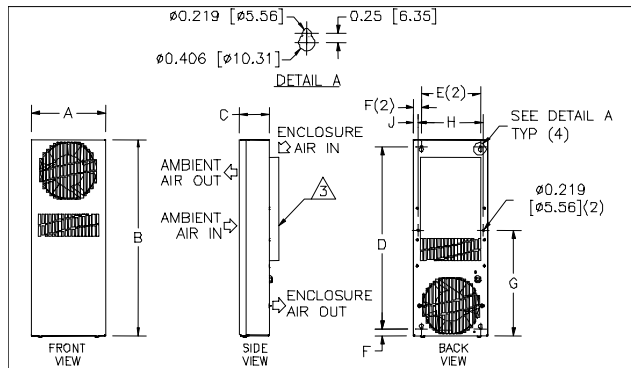
## Features

- The ProAir™ Heat Exchangers use our unique counterflow aluminum core for high efficiency and high performance heat transfer except for the XR20 and the XR29-08 which use a modified heat pipe core.
- Top quality impellers make these units run quietly and with increased reliability.
- Streamlined aesthetics with no visible mounting rails or fasteners. The slim design allows for mounting to narrow or shallow enclosures.
- Filterless design for low maintenance and easy cleaning.
- Mounts front, side, top, inside, outside, vertically or horizontally.
- Four fasteners allow simple removal of front cover for easy access.
- Each unit is 100% functionally tested.

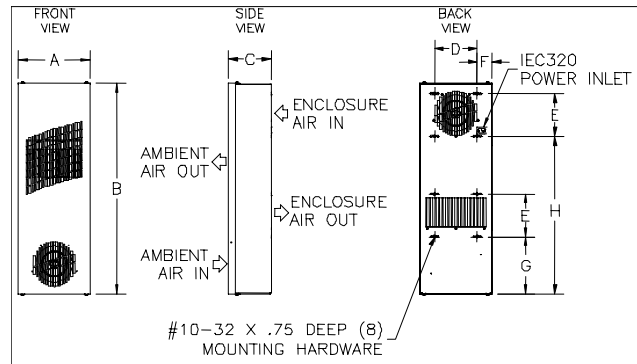
## Design Data

Model	Voltage	Hz	Full Load Amps	Max. °F Air Temp	Shipping Weight
XR20-0416-012	115	50/60	0.6	155	12 lbs.
XR20-0426-012	230	50/60	0.6	155	12 lbs.
XR29-0816-012	115	50/60	0.6	155	27 lbs.
XR29-0826-012	230	50/60	0.6	155	27 lbs.
XR29-1816-012	115	50/60	1.0	155	34 lbs.
XR29-1826-012	230	50/60	1.0	155	34 lbs.
XR47-2416-012	115	50/60	1.5	155	51 lbs.
XR47-2426-012	230	50/60	1.5	155	51 lbs.
XR47-3516-012	115	50/60	1.5	155	63 lbs.
XR47-3526-012	230	50/60	1.5	155	63 lbs.
XR60-5516-012	115	50/60	6.7	155	91 lbs.
XR60-5526-012	230	50/60	6.7	155	91 lbs.
XR60-8416-012	115	50/60	6.7	155	115 lbs.
XR60-8426-012	230	50/60	6.7	155	115 lbs.

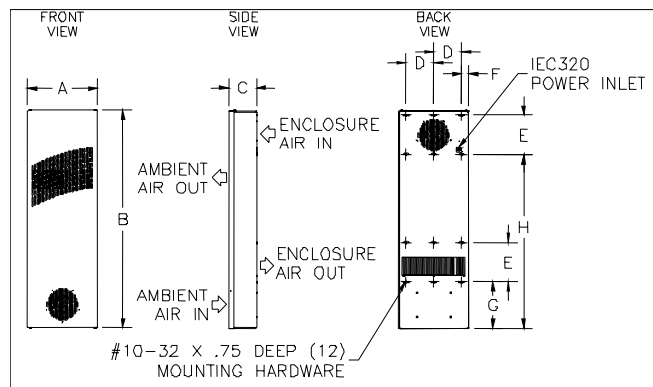
# Dimensional Details



**XR20-04 and XR29-08**



**XR29-18 and XR47-24**



**XR47-35, XR60-55 and XR60-84**

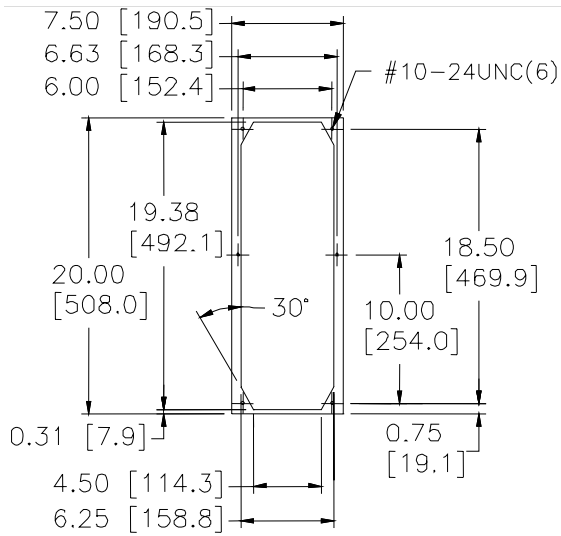
Model No.	A	B	C	D	E	F	G	H	J
XR20-0416-012	7.50	20.00	3.00	18.50	6.00	0.75	10.75	6.63	0.44
XR20-0426-012	(190.5)	(508.00)	(76.2)	(469.9)	(152.4)	(19.1)	(273.1)	(168.4)	(11.1)
XR29-0816-012	10.00	29.50	3.10	27.50	8.00	1.00	14.75	8.00	1.00
XR29-0826-012	(254.0)	(749.3)	(78.7)	(698.5)	(203.2)	(25.4)	(374.7)	(203.2)	(25.4)
XR29-1816-012	10.24	29.66	5.92	6.00	6.00	2.08	8.08	22.20	22.44
XR29-1826-012	(260.1)	(753.4)	(150.4)	(152.4)	(152.4)	(52.8)	(205.2)	(564.0)	(570.0)
XR47-2416-012	10.24	47.16	5.92	7.00	8.50	1.58	10.08	37.71	38.04
XR47-2426-012	(260.1)	(1197.9)	(150.4)	(177.8)	(215.9)	(40.1)	(256.0)	(957.8)	(966.2)
XR47-3516-012	15.24	47.16	5.92	6.00	8.50	1.58	10.08	37.71	38.04
XR47-3526-012	(387.1)	(1197.9)	(150.4)	(152.4)	(215.9)	(40.1)	(256.0)	(957.8)	(966.2)
XR60-5516-012	15.24	59.66	5.92	6.00	10.75	1.58	10.83	48.08	48.66
XR60-5526-012	(387.1)	(1515.4)	(150.4)	(152.4)	(273.1)	(40.1)	(275.1)	(1221.2)	(1235.8)
XR60-8416-012	15.24	59.66	9.92	6.00	10.75	1.58	10.83	48.08	48.66
XR60-8426-012	(387.1)	(1515.4)	(252.0)	(152.4)	(273.1)	(40.1)	(275.1)	(1221.2)	(1235.8)

## Design Notes

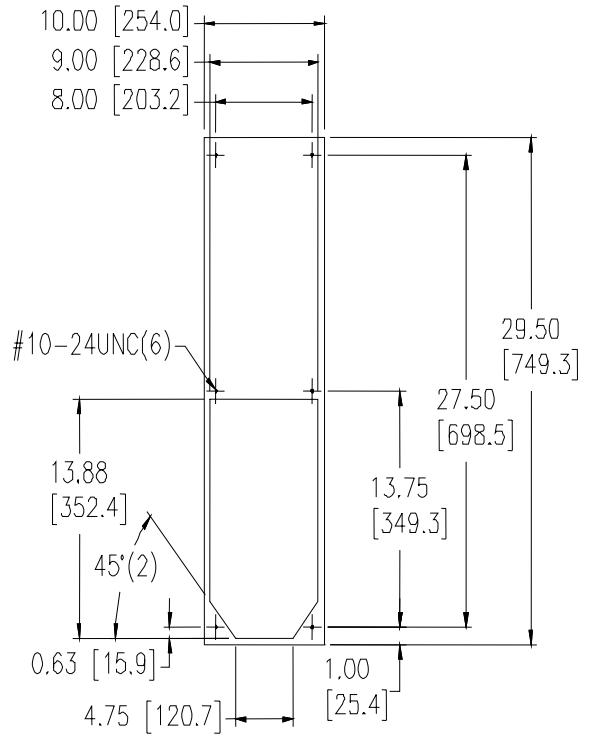
- 1 Supplied with mounting gasket kit.
- 2 Service cord supplied with appropriate plug:  
NEMA 5-15P for 115V units, NEMA 6-15P for 230V units
- 3 Detachable airflow plenum may be used when mounting the

Dimensions are in inches (mm)

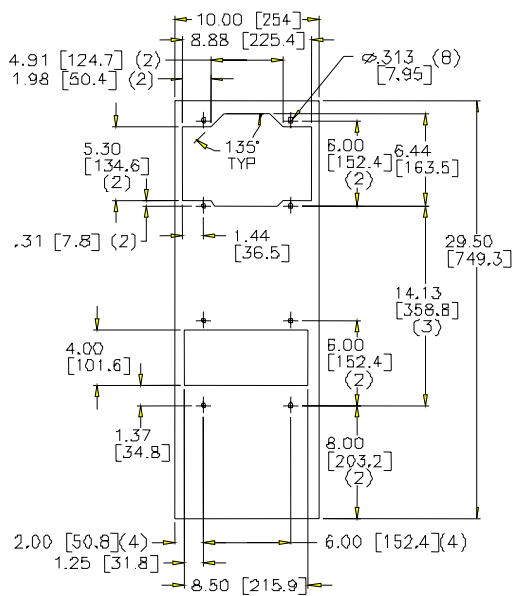
# Cutout Details



**XR20-04**



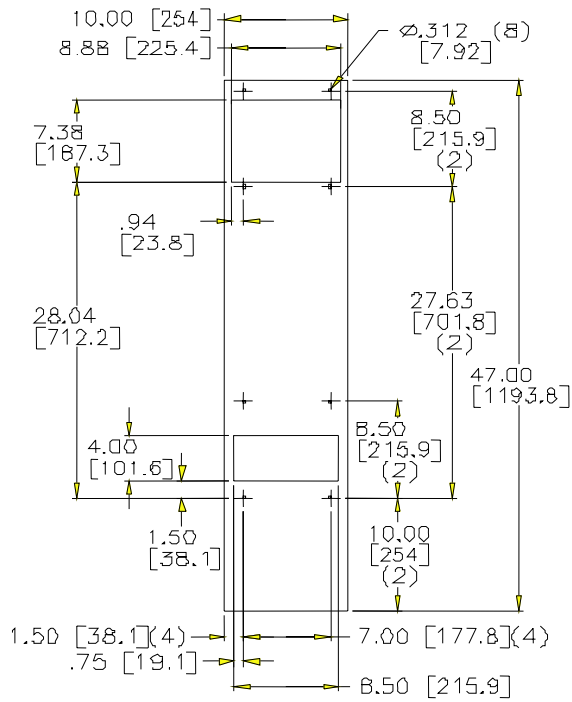
**XR29-08**



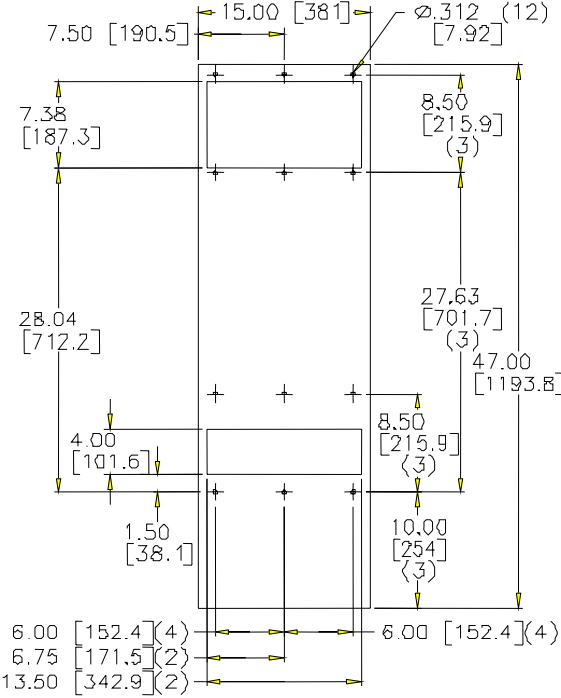
**XR29-18**

## Cutout Notes

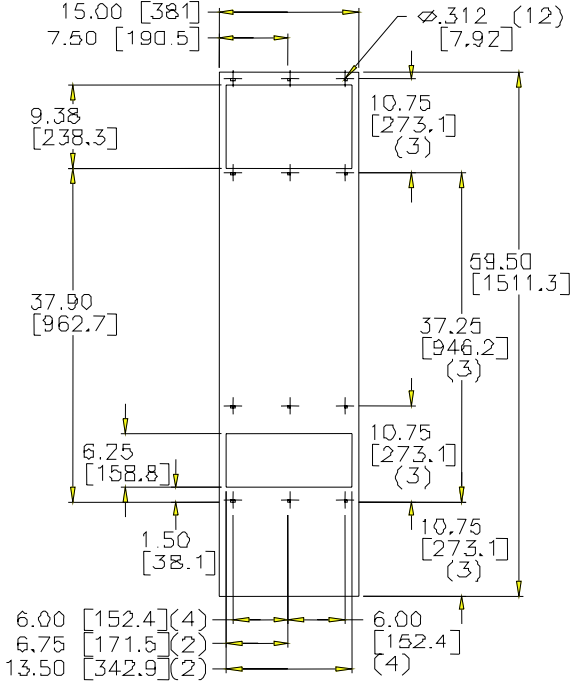
1. Cutout shown is for external mounting of heat exchanger only. For internal mounting, cut-out must be inverted 180 degrees.
2. Dash lines represents heat exchanger.
3. XR29-08 internal mount cutout is not shown.



**XR47-24**



**XR47-35**



**XR60-55 & XR60-84**

## **McLEAN THERMAL WARRANTY**

Please note: Warranty effective at time of shipment.

McLean Thermal warrants that all material and workmanship are free of defects in quality which impair the usefulness of the air conditioner or heat exchanger for a period of five (5) years for non-operating parts, except for the filter; and for one (1) year for everything else when installed and operated under the following conditions:

- A. Maximum voltage variation no greater than plus or minus 10% of nameplate nominal rating.
- B. Maximum frequency variation no greater than plus or minus 3 Hz. of nameplate nominal rating.
- C. Must not exceed minimum and maximum stated temperatures on the nameplate.
- D. Not to exceed (BTU/Hr.) rating, including any heat sink, as indicated on the nameplate.
- E. The unit must not be restarted for a period of one (1) minute after intentional or accidental shut-off. (This does not apply to heat exchanger or filter fan.)

McLean Thermal warrants that all material and workmanship are free of defects in quality which impair the usefulness of the filter fan package and all custom air conditioners and heat exchangers for a period of one (1) year, except for the filter, when installed and operated under conditions A, B, C and D as listed above.

Not covered in this warranty is damage to the air conditioner or heat exchanger due to the introduction of other than the nameplate-designated refrigerant. Operation of any McLean Thermal product that has not been designed with proper protective coatings and/or options and is in an abnormal or corrosive environment voids the warranty. Prolonged operation with dirty filters also voids the warranty.

Should any part prove defective within the above warranty period, the customer may choose to return the defective product that is under warranty to McLean Thermal for repair at no charge or the customer has the option to repair the defective products at his own expense and McLean Thermal will supply repair parts at no charge providing the defective part is returned and found to have failed under warranty. Parts supplied as warranty replacement parts will assume the balance of the warranty on the part returned for warranty consideration.

Please be advised: According to the Federal Register, no person maintaining, servicing, repairing, or disposing of appliances may knowingly vent or otherwise release into the environment any class I or class II substance used as refrigerant.

McLean Thermal assumes no liability beyond the repair or replacement of its own product. Customer modification of any McLean Thermal product voids this warranty.

The purchaser assumes the responsibility of grounding the unit and installing it in accordance with local electrical and safety codes, as well as the National Electric Code (NEC) and OSHA.

This express warranty constitutes the entire warranty with respect to the PRODUCT and IS IN LIEU OF ALL OTHERS, EXPRESS OR IMPLIED, INCLUDING ANY WARRANTY OR MERCHANTABILITY AND WARRANTY OF FITNESS FOR A PARTICULAR PURPOSE AND IN NO EVENT IS MCLEAN THERMAL RESPONSIBLE FOR ANY CONSEQUENTIAL DAMAGES OF ANY NATURE WHATSOEVER.

## **HOLD HARMLESS**

In consideration of purchase of equipment from McLean Thermal by a customer, McLean Thermal agrees to indemnify and hold harmless such customer and users with a defense, as to any claim, demand, statutory court cost, fees for attorney's services provided for below, and/or judgment, for actual or alleged patent infringement in any country, arising out of the use, sale or advertisement of any equipment manufactured or sold by McLean Thermal to McLean Thermal's own specifications, provided that the customer or user shall promptly notify McLean Thermal in writing of any such claim or demand, provided further that McLean Thermal shall have the right and option to undertake and control the entire defense of such claim, or demand instituted against the customer or user, but limited to the products made or sold by McLean Thermal, through counsel selected by McLean Thermal, and to settle and pay any claim award arising out of such claim or demand, and provided further that the customer or user will provide such information and assistance as McLean Thermal may request subject to reimbursement by McLean Thermal for any out-of-pocket expense incurred in providing such requested assistance. Liability of McLean Thermal for any infringement or claim thereof shall be limited to the above undertaking.