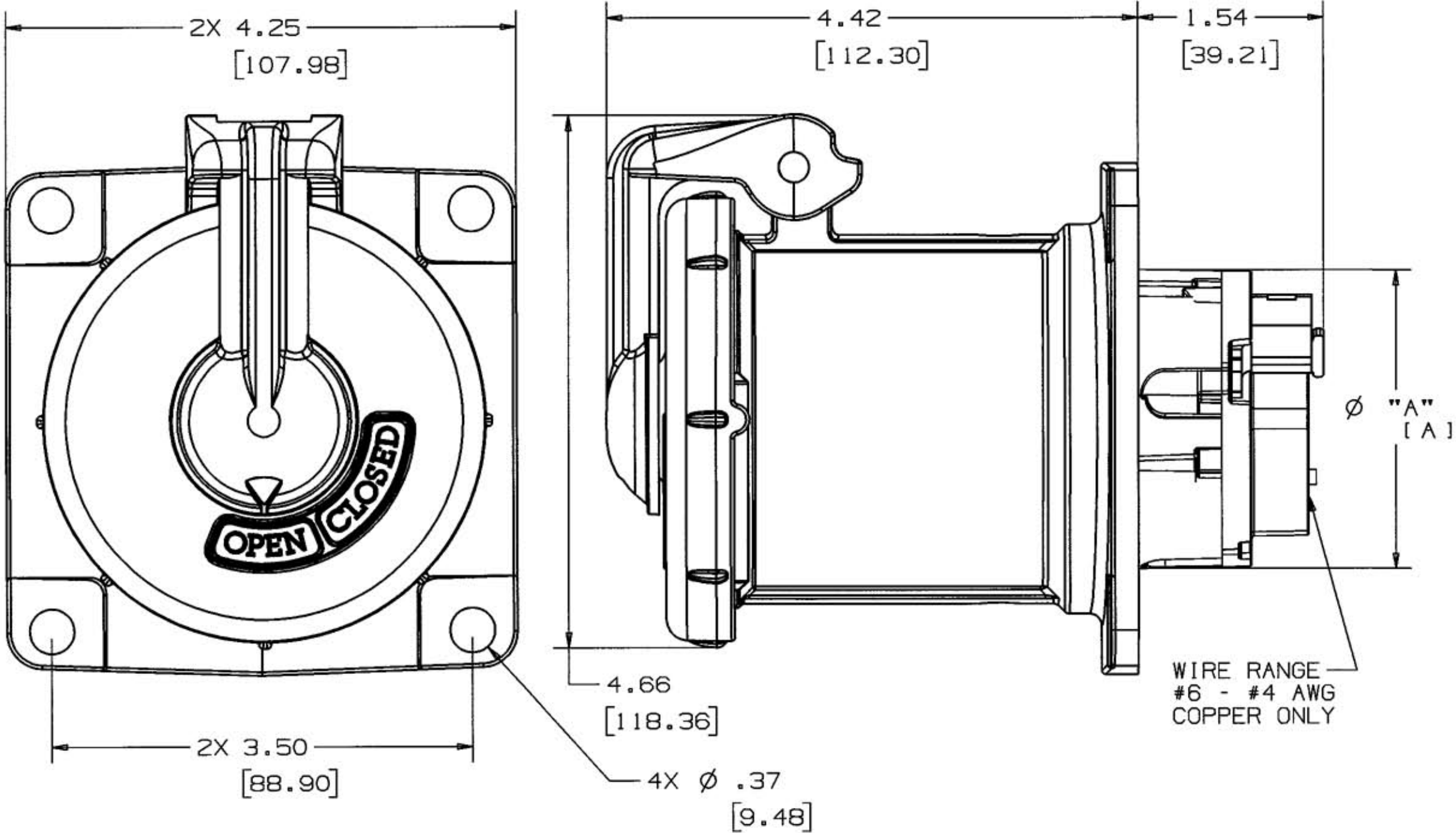


M-7863 3



NOTES: (UNLESS OTHERWISE SPECIFIED)

1) DIMENSION FORMAT IS: INCHES [mm]

AMPS	POLES AND WIRES	MAX VOLTAGE AC/DC	STYLE	Ø "A" [A]	CONNECTOR CATALOG NUMBER
60	2P3W	600/250	S1	2.195 [55.75]	HBL360RS1W
60	3P4W	600/250	S1	2.50 [63.5]	HBL460RS1W
60	2P3W	600/250	S2	2.195 [55.75]	HBL360RS2W
60	4P5W	600/250	S1	2.50 [63.5]	HBL560RS1W
60	3P4W	600/250	S2	2.50 [63.5]	HBL460RS2W

LIST OF PARTS

DESCRIPTION	MATERIAL	FINISH
BOX TERMINAL	STEEL	NICKEL PLATE
GROUND STANDOFF	BRASS	
GROUND BRACKET	COPPER ALLOY	NICKEL PLATE
HINGE BUSHING	ALUMINUM	
SPRING GUIDE	STAIN STEEL	
LID SPRING	STAIN STEEL	
LID	ALUMINUM	GRAY EPOXY
LID LIFTER	ALUMINUM	GRAY EPOXY
INTERIOR	THERMOSET POLYESTER	
O-RING	RUBBER	
LID GASKET	RUBBER	
SPRING WASHER	STAIN STEEL	
SCREW - LID	STAIN STEEL	
WAVE SPRING	STAIN STEEL	
RIVET	ALUMINUM	
RECEPTACLE	ALUMINUM	GRAY EPOXY
SCREWS	STAIN STEEL	
PIN SPRING	COPPER ALLOY	SILVER COATED
PINS	BRASS	

SYM	REVISIONS	APP	DATE
3	ADDED TABLE, "SEE TABLE", AND NOTE 1. Ø "A" [A], AND "2X" TO 4.25 [107.95] & 3.50 [88.90]; DRAWING TITLE WAS "60A PIN & SLEEVE RECEPTACLE ASSEMBLY STYLES 1 & 2"; REMOVED "mm" FROM DIMENSIONS; ADDED "COPPER ONLY" TO "WIRE RANGE #6 - #4 AWG"; PER DCN #8685. JMN	TCM	1/21/02
2	DCN 5807-8 2/10/99 UPDATED LIST OF PARTS		
1	RELEASED PER DCN 5641 12/18/97 B.C.	RDK	12/20/97

THE DESIGN AND DIMENSIONS OF THE PRODUCT SHOWN ON THIS DRAWING ARE SUBJECT TO CHANGE WITHOUT NOTICE

TITLE
60A INSULGRIP PIN & SLEEVE RECEPTACLE STYLE 1 & 2

TOLERANCES UNLESS OTHERWISE SPECIFIED	WIRING DEVICE-KELLEMS HUBBELL INCORPORATED BRIDGEPORT, CT	
FRACTIONS ±1/64	DR. BY B.C.	APP. BY RDK
3 DECIMALS ±.005	TR. BY	SCALE 1:1
ANGLES ±2°	CHK'D BY RDK	DATE 12/18/97
2 DECIMALS ±.01		

CODE 74545

DIMENSION SHEET FOR CAT. NO. SEE TABLE
 REPAIRABLE NON-REPAIRABLE
 B
 M-7863
 3