

BALDOR® • ***RELIANCE***

Product Information Packet

CJM3158

3HP,3450RPM,3PH,60HZ,56J,3524M,OPEN,F1

Part Detail							
Revision:	V	Status:	PRD/A	Change #:		Proprietary:	No
Type:	AC	Elec. Spec:	35WGR286	CD Diagram:	CD0005	Mfg Plant:	
Mech. Spec:	35T961	Layout:	35LYT961	Poles:	02	Created Date:	06-22-2007
Base:	RG	Eff. Date:	08-31-2017	Leads:	9#18		

Specs			
Catalog Number:	CJM3158	Heater Indicator:	No Heater
Enclosure:	ODTF	Insulation Class:	B
Frame:	56J	Inverter Code:	Not Inverter
Frame Material:	Steel	KVA Code:	K
Output @ Frequency:	3.000 HP @ 60 HZ	Lifting Lugs:	No Lifting Lugs
Synchronous Speed @ Frequency:	3600 RPM @ 60 HZ	Locked Bearing Indicator:	Locked Bearing
Voltage @ Frequency:	208.0 V @ 60 HZ	Motor Lead Quantity/Wire Size:	9 @ 18 AWG
	230.0 V @ 60 HZ	Motor Lead Exit:	Ko Box
	460.0 V @ 60 HZ	Motor Lead Termination:	Flying Leads
XP Class and Group:	None	Motor Type:	3524M
XP Division:	Not Applicable	Mounting Arrangement:	F1
Agency Approvals:	UR	Power Factor:	87
	CSA	Product Family:	General Purpose
Auxillary Box:	No Auxillary Box	Pulley End Bearing Type:	Ball
Auxillary Box Lead Termination:	None	Pulley Face Code:	C-Face
Base Indicator:	Rigid	Pulley Shaft Indicator:	Ext Thread
Bearing Grease Type:	Polyrex EM (-20F +300F)	Rodent Screen:	None
Blower:	None	Shaft Extension Location:	Pulley End

Current @ Voltage:	4.000 A @ 460.0 V	Shaft Ground Indicator:	No Shaft Grounding
	8.000 A @ 230.0 V	Shaft Rotation:	Reversible
	8.500 A @ 208.0 V	Shaft Slinger Indicator:	No Slinger
Design Code:	B	Speed Code:	Single Speed
Drip Cover:	Drip Cover	Motor Standards:	NEMA
Duty Rating:	CONT	Starting Method:	Direct on line
Electrically Isolated Bearing:	Not Electrically Isolated	Thermal Device - Bearing:	None
Feedback Device:	NO FEEDBACK	Thermal Device - Winding:	None
Front Face Code:	Drip Cover Mounting	Vibration Sensor Indicator:	No Vibration Sensor
Front Shaft Indicator:	None	Winding Thermal 1:	None
		Winding Thermal 2:	None

Nameplate NP1256L										
CAT.NO.	CJM3158									
SPEC.	35T961R286G1									
HP	3									
VOLTS	208-230/460									
AMP	8.5-8/4									
RPM	3450									
FRAME	56J				HZ	60			PH	3
SER.F.	1.15		CODE	K	DES	B		CLASS	B	
NEMA-NOM-EFF	80		PF	87						
RATING	40C AMB-CONT									
CC								USABLE AT 208V	8.5	
DE	6205				ODE	6203				
ENCL	ODTF		SN							

AC Induction Motor Performance Data
Record # 8536 - Typical performance - not guaranteed values

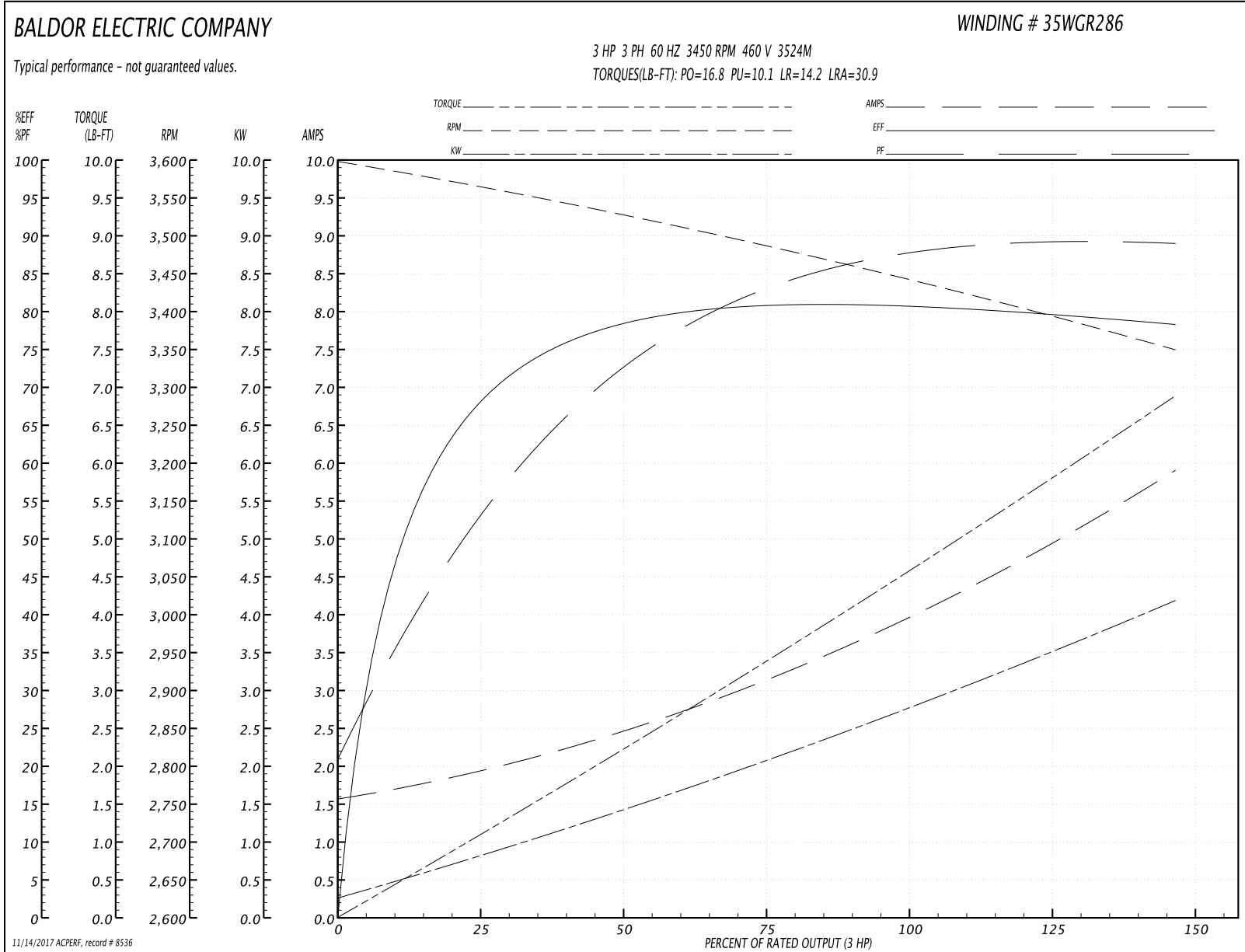
Winding: 35WGR286-R001	Type: 3524M	Enclosure: OPEN
-------------------------------	--------------------	------------------------

Nameplate Data				460 V, 60 Hz: High Voltage Connection	
Rated Output (HP)	3			Full Load Torque	4.6 LB-FT
Volts	208-230/460			Start Configuration	direct on line
Full Load Amps	8.5-8/4			Breakdown Torque	16.8 LB-FT
R.P.M.	3450			Pull-up Torque	10.1 LB-FT
Hz	60	Phase	3	Locked-rotor Torque	14.2 LB-FT
NEMA Design Code	B	KVA Code	K	Starting Current	30.9 A
Service Factor (S.F.)	1.15			No-load Current	1.6 A
NEMA Nom. Eff.	80	Power Factor	87	Line-line Res. @ 25°C	5.928 Ω
Rating - Duty	40C AMB-CONT			Temp. Rise @ Rated Load	42°C
S.F. Amps				Temp. Rise @ S.F. Load	50°C
				Locked-rotor Power Factor	55
				Rotor inertia	0.0664 LB-FT ²

Load Characteristics 460 V, 60 Hz, 3 HP

% of Rated Load	25	50	75	100	125	150	S.F.
Power Factor	56	74	83	87	89	89	88
Efficiency	68.6	78.2	80.7	81	79.9	78.1	80.3
Speed	3565	3520	3484	3444	3400	3346	3418
Line amperes	1.9	2.5	3.2	4	4.9	5.9	4.5

Performance Graph at 460V, 60Hz, 3.0HP Typical performance - Not guaranteed values



AC Induction Motor Performance Data

Record # 20324 - Typical performance - not guaranteed values

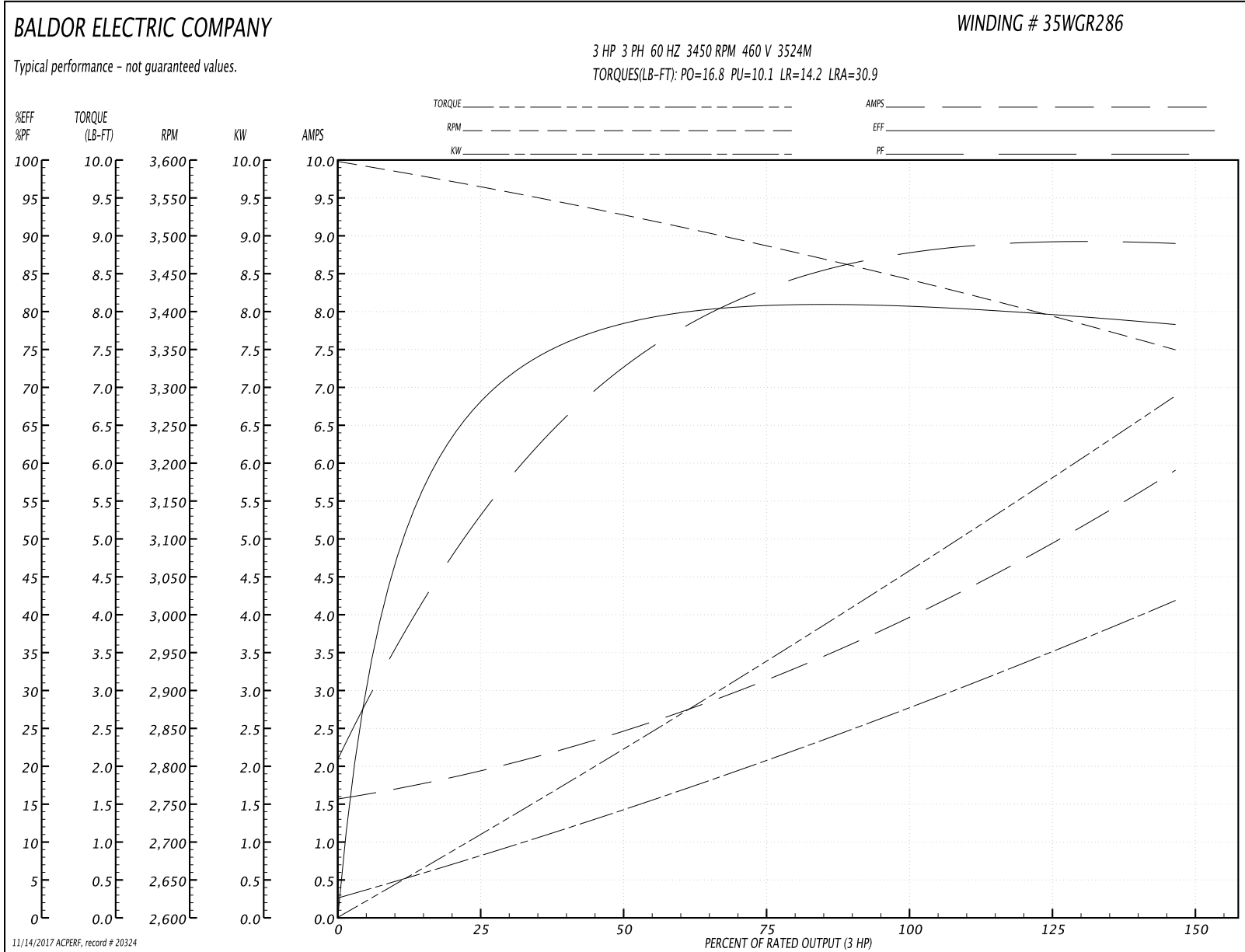
Winding: 35WGR286-R002	Type: 3524M	Enclosure: OPEN
-------------------------------	--------------------	------------------------

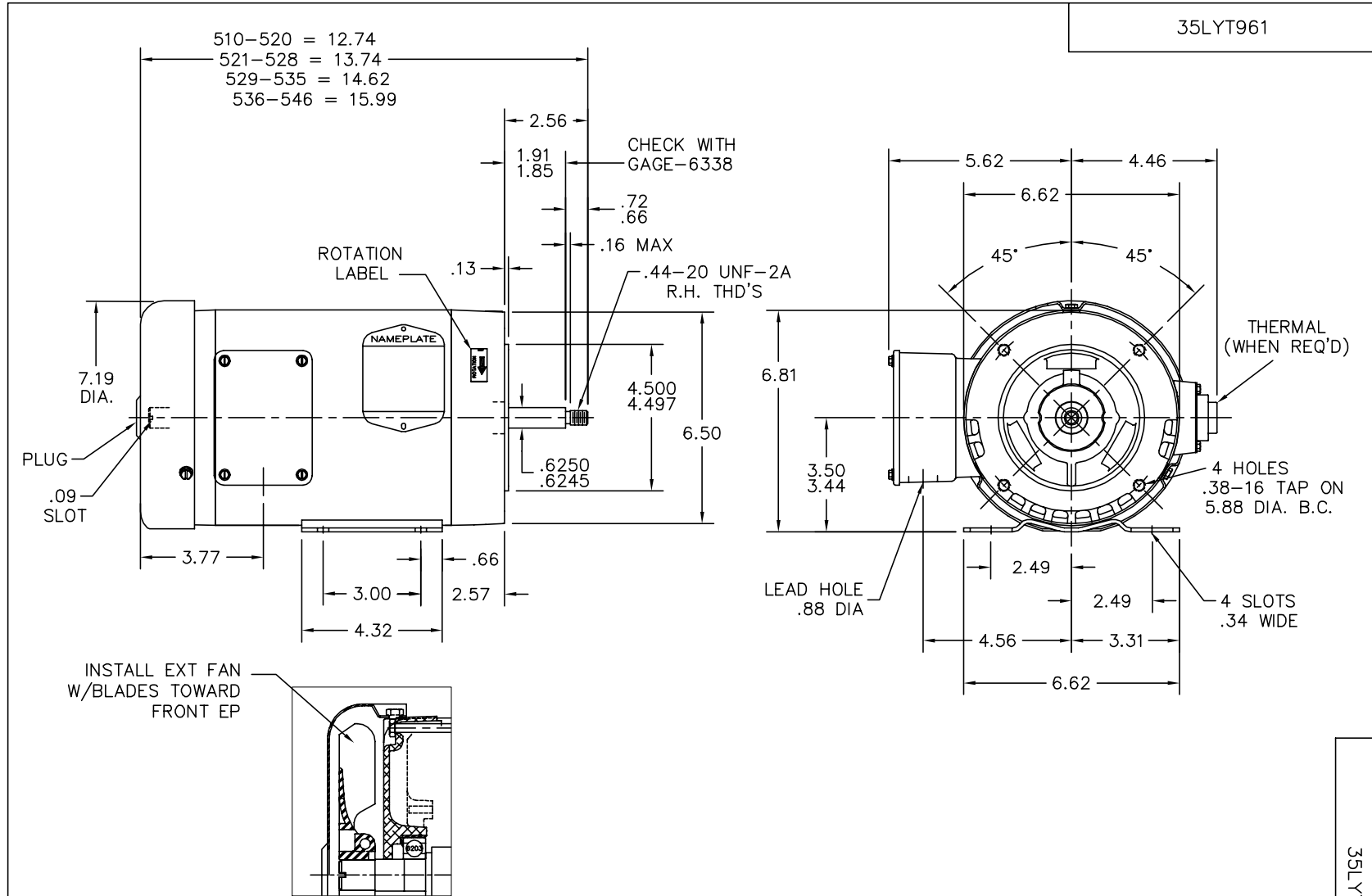
Nameplate Data				460 V, 60 Hz: High Voltage Connection	
Rated Output (HP)	3			Full Load Torque	4.6 LB-FT
Volts	208-230/460			Start Configuration	direct on line
Full Load Amps	8.5-8/4			Breakdown Torque	16.8 LB-FT
R.P.M.	3450			Pull-up Torque	10.1 LB-FT
Hz	60	Phase	3	Locked-rotor Torque	14.2 LB-FT
NEMA Design Code	B	KVA Code	K	Starting Current	30.9 A
Service Factor (S.F.)	1.15			No-load Current	1.6 A
NEMA Nom. Eff.	80	Power Factor	87	Line-line Res. @ 25°C	5.928 Ω
Rating - Duty	40C AMB-CONT			Temp. Rise @ Rated Load	42°C
S.F. Amps				Temp. Rise @ S.F. Load	50°C
				Locked-rotor Power Factor	55
				Rotor inertia	0.0664 LB-FT ²

Load Characteristics 460 V, 60 Hz, 3 HP

% of Rated Load	25	50	75	100	125	150	S.F.
Power Factor	56	74	83	87	89	89	88
Efficiency	68.6	78.2	80.7	81	79.9	78.1	80.3
Speed	3565	3520	3484	3444	3400	3346	3418
Line amperes	1.9	2.5	3.2	4	4.9	5.9	4.5

Performance Graph at 460V, 60Hz, 3.0HP Typical performance - Not guaranteed values





CUSTOMER IS RESPONSIBLE FOR DETERMINING THAT BALDOR'S PRODUCT WILL PERFORM SUITABLY IN THE INTENDED APPLICATION.

REV. DESC: UPDATE PARTS TO MATCH BOM		
REV. LTR: F	VERSION: 06	TDR: 000001035193
FILE: \AAA\00111\417	REVISED: 01:12:05 07/12/2017	BY: ENERINO
MTL: -		

BALDOR

HOR 56J ODTF 35M W/ DRIP COVER, 2 POLE "W" BASE (35BA4010)

SH 1 of 1

35LYT961

CD0005

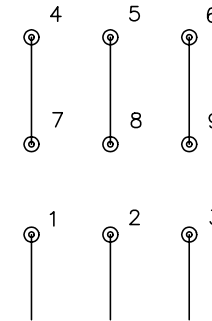


LOW VOLTAGE (2Y)



LINE

HIGH VOLTAGE (1Y)



LINE

NOTES:

1. INTERCHANGE ANY TWO LINE LEADS TO REVERSE ROTATION.
2. OPTIONAL THERMOSTATS ARE PROVIDED WHEN SPECIFIED.
3. ACTUAL NUMBER OF INTERNAL PARALLEL CIRCUITS MAY BE A MULTIPLE OF THOSE SHOWN ABOVE.
4. LEAD COLORS ARE OPTIONAL. LEADS MUST ALWAYS BE NUMBERED AS SHOWN.

REV. DESC: REVISE TO SHOW OPTIONAL COLORS			
REV. LTR: E	BY: JLP	REVISED: 01/19/99 10:15	TDR: 0171435
9000D		FILE: AAA00005140	MDL: -
		MTL: -	

BALDOR ELECTRIC Co.

3PH, DV, 9 LEADS

CD0005