

Single Pole Devices and Temporary Power Series 18 - 400A, 600V AC/250V DC

HUBBELL

Male Plug

Features

- Easy Grip Housing
- Non-Conductive Retaining Screw locks contacts in place
- Large Raised Alignment Arrow aids in the mating of devices



Ordering Information

Description	Device Color	UPC Number	Catalog Number
400A, thermoplastic elastomer, cable size 3/0 - 4/0 AWG	Yellow	78358553950	HBL18400MY

Listings

UL and cUL Listed
UL Enclosure Types 3R, 4X, 12
National Electric Code (NEC), ANSI/NFPA 70

Specifications

Base Compound	Thermoplastic Elastomer
Contact Material	Brass
Retaining Screw Material	Nylon

Performance

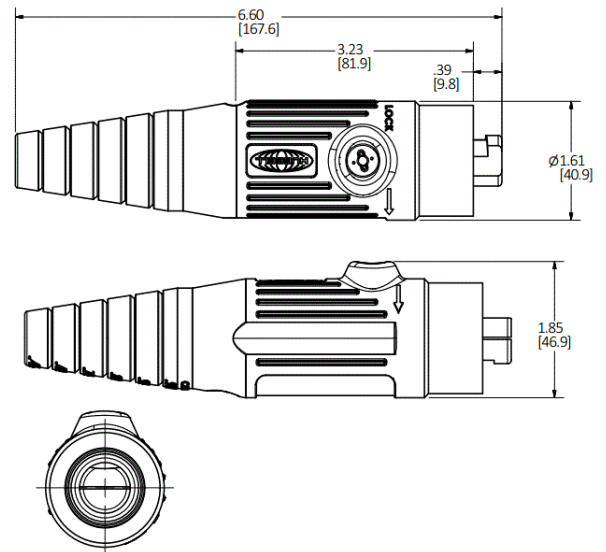
Electrical	
Amperage Rating	400A Maximum
Voltage Ratings	600V AC Maximum; 250V DC Maximum

Mechanical	
Product Identification	Ratings are a permanent part of device
Terminal Accommodation	3/0 to 4/0 AWG

Environmental	
Flammability	HB per UL94 or CSA 22.2. 0.17

Online Resources

eCatalog



Dimensions in Inches (mm)

Hubbell Wiring Device-Kellems • Hubbell Incorporated (Delaware) • 40 Waterview Drive • Shelton, CT 06484

Phone (800) 288-6000 • Fax (800) 255-1031 • Specifications subject to change without notice.

