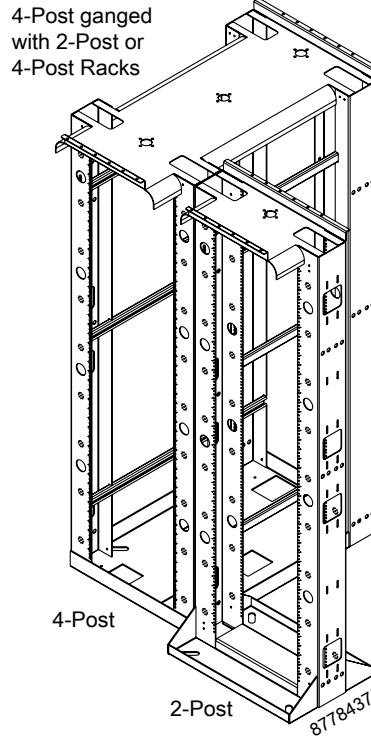


SEISMIC 4-POST OPEN-FRAME RACK



INDUSTRY STANDARDS

UL 2416 Listed; File No. E230874, 2500 lb. (1134 kg) rated load
 cUL C22.2 No. 182.4 Listed; File No. E230874

NEBS -Telcordia GR-63-CORE Zone 4: Tested with 1000 lb. (453.6 kg) of equipment installed
 EIA 310-D
 OSHPD Pre-Approval OPM-0199-13
NEBS is a trademark of Telcordia

APPLICATION

Seismic 4-Post Open Frame Racks combine the mounting security of a cabinet with the accessibility of a rack. Used in network, server, and telecommunication room applications that are subject to seismic activity or vibration, these adjustable-depth racks support deeper, heavier network equipment and can be ganged with standard 2-post or other 4-post racks to expand existing systems.

FEATURES

- EIA universal 5/8 - 5/8 - 1/2 in. spaced square holes fit 19-in. rack equipment and accessories
- Rear rack angle adjustable 0 to 39.09 in. (0 to 993 mm)
- Nominal height is 7 ft. (2.1 m)
- Can be ganged with both 2- and 4- post open frame racks
- Integral front waterfall top
- Pre-drilled holes on top to ease runway installation
- Top and bottom cable entry cutouts
- Ground provision with ground symbol
- Full complement of matching components for equipment and cable management

SPECIFICATIONS

- Rack is 10-gauge steel, fully welded for maximum rigidity

FINISH

Pre-treated steel coated with RAL 9005 black textured, low-gloss polyester powder paint. Other finishes available; contact Hoffman Customer Service.

LOAD RATING

- Dynamic: 1000 lb. (454 kg)
- Static: 2500 lb. (1134 kg)
- For higher loads, contact Hoffman. Static load has a safety factor of 4 applied.

BULLETIN: DOFRS

Standard Product

Catalog Number	AxBxC in.	AxBxC mm	Rack Units
E4SDR19FM45U	86.02 x 26.75 x 39.87	2185 x 679 x 1013	45

