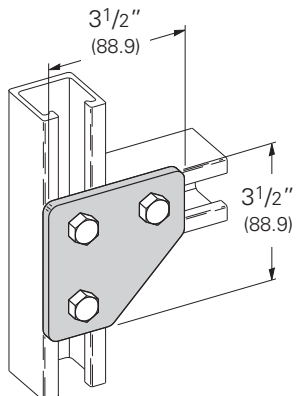


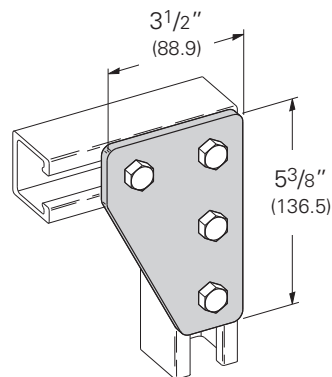
BFV135
Three Hole Flat Gusset Corner Plate

- Material: Injection Molded Glass Reinforced Polyurethane



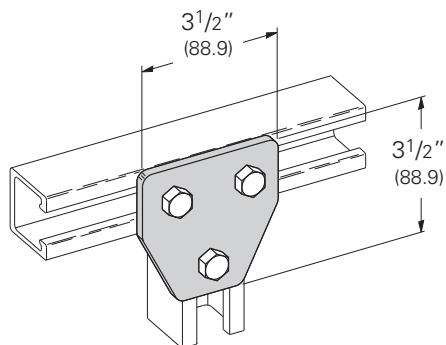
BFV142
Four Hole Flat Gusset Corner Plate

- Material: Injection Molded Glass Reinforced Polyurethane



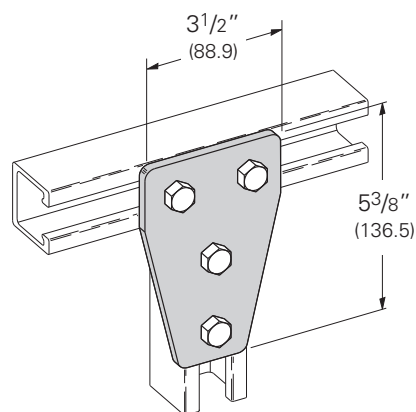
BFV337
Three Hole Flat Gusset Tee Plate

- Material: Injection Molded Glass Reinforced Polyurethane



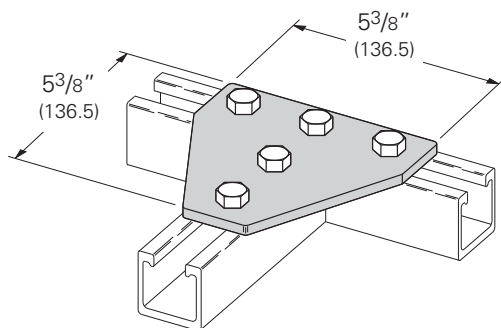
BFV136
Four Hole Flat Gusset Tee Plate

- Material: Injection Molded Glass Reinforced Polyurethane



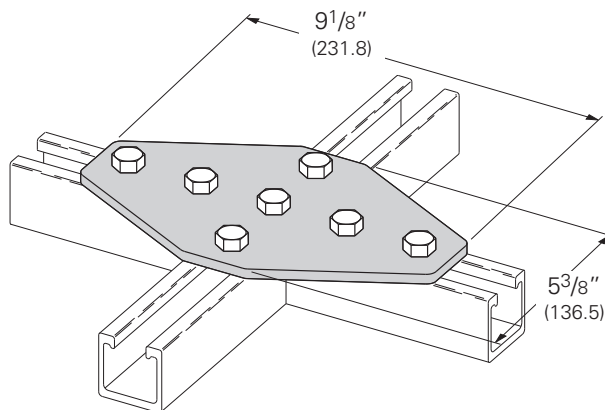
BFV532
Five Hole Flat Gusset Tee Plate

- Material: Injection Molded Glass Reinforced Polyurethane



BFV334
Seven Hole Flat Gusset Cross Plate

- Material: Injection Molded Glass Reinforced Polyurethane



Reference page 183 for general fitting specifications.