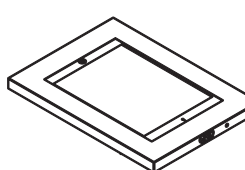



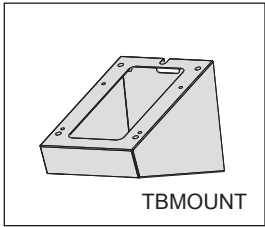
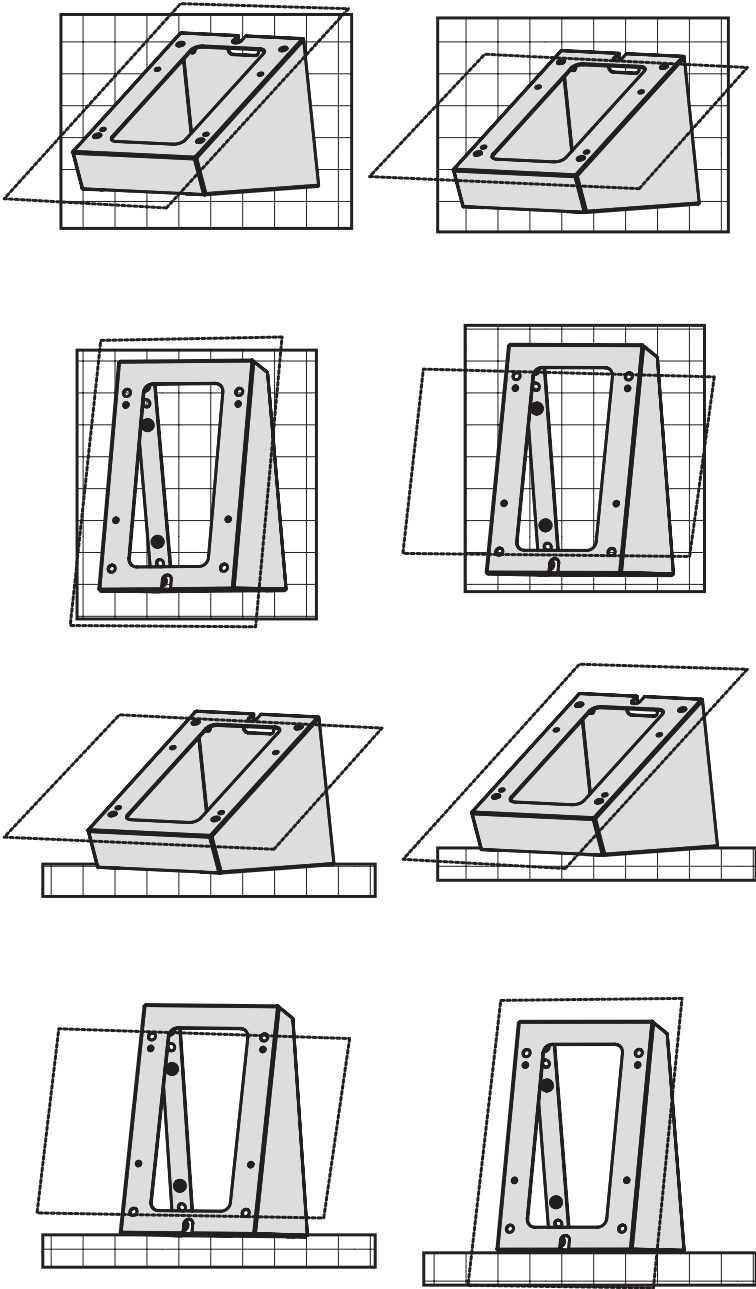


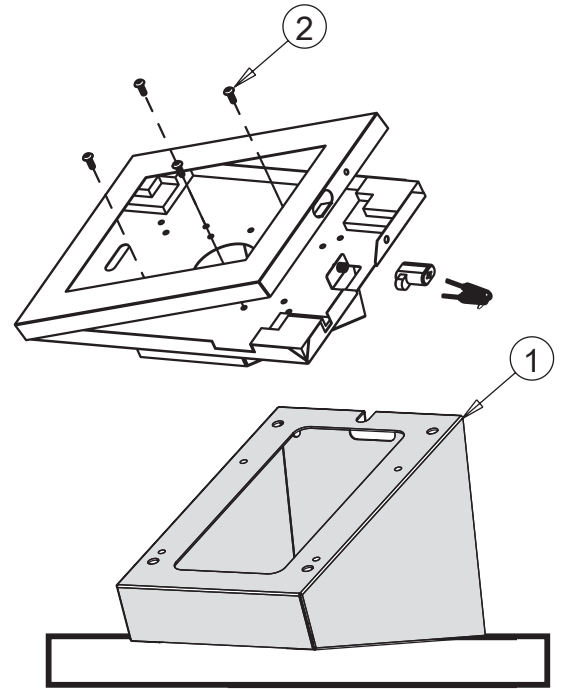
<p>1</p>  <p>(1x)</p>	<p>2</p>  <p>(1x)</p>
<p>3</p>  <p>(4x)</p>	<p>4</p>  <p>(3x)</p>



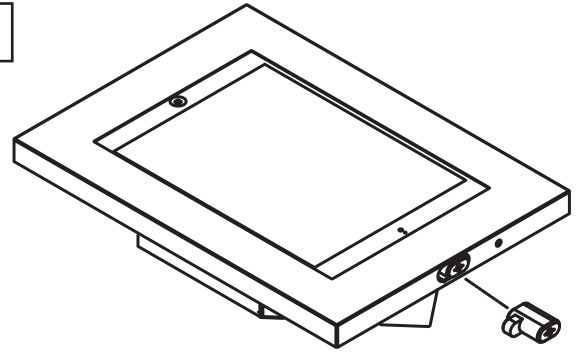
1

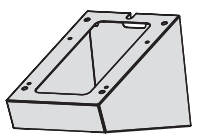
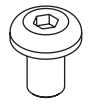


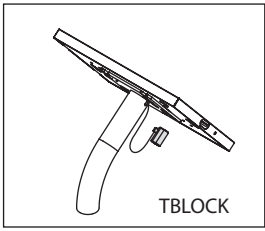
2



3



<p>1</p>  <p>(1x)</p>	<p>2</p>  <p>3/8</p> <p>(4x)</p>
---	---



1 Cable Lock for Tablet Stand can be used for a variety of tablet security solutions.

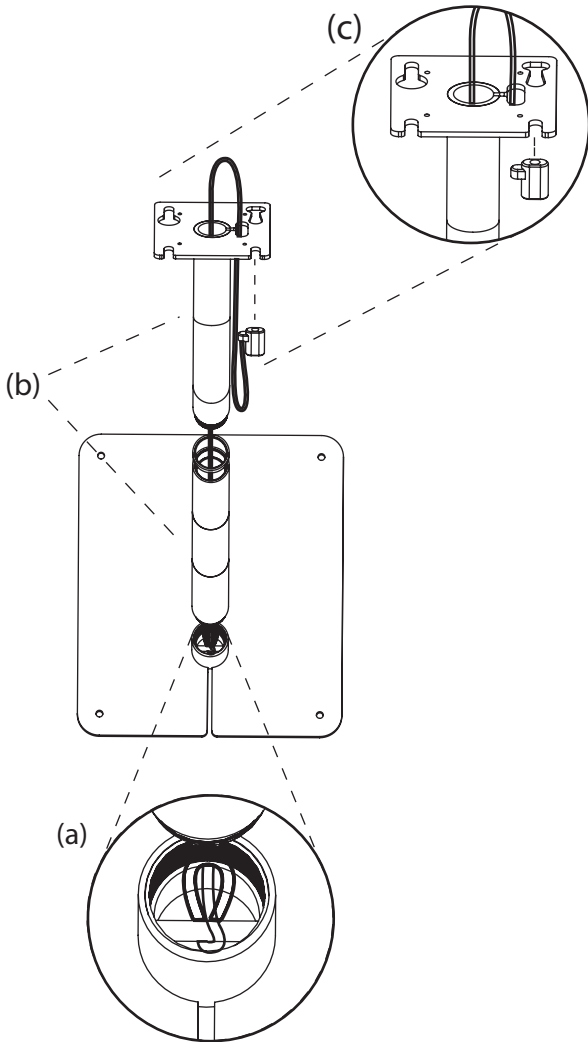
Refer to the instructions below if using the Tablet Cable Lock with Tablet Stand.

2

If using the Tablet Charging Cord (TBCORD), first route the power cable through the body tubing. ****Not completing this step first may result in cable jamming.**

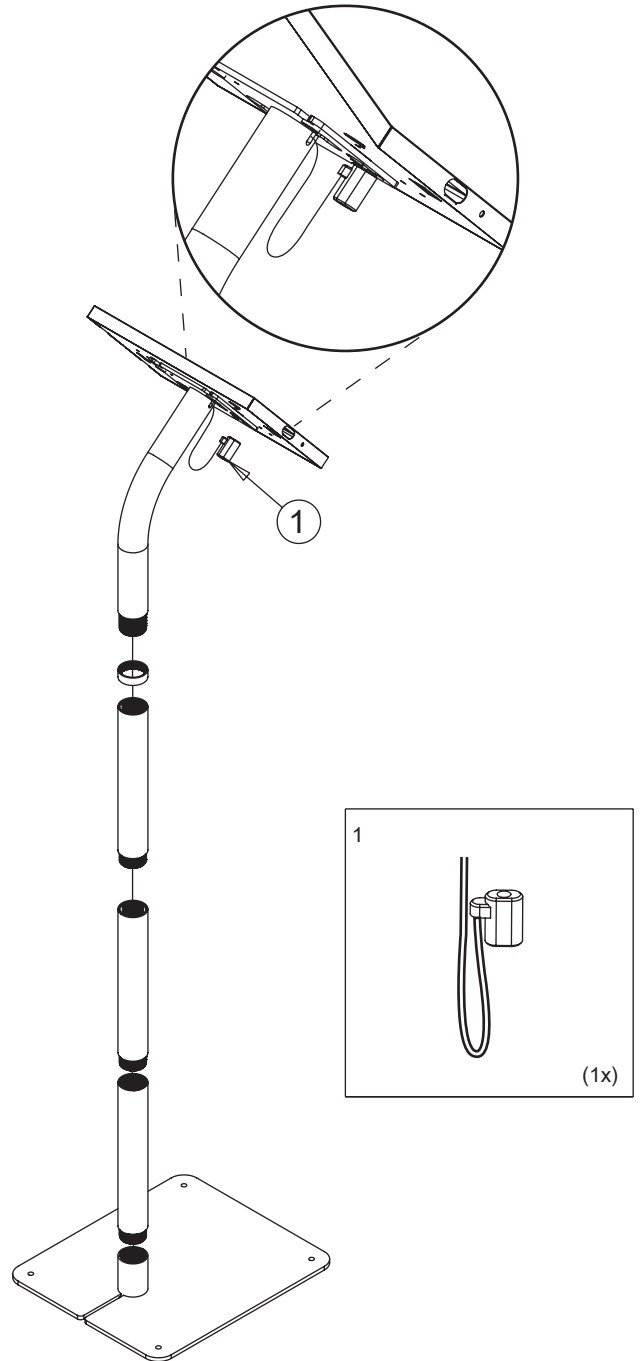
3

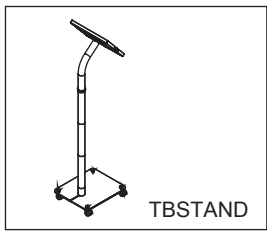
(a) Route the Cable Lock for Tablet Stand around the security bar on base of stand. (b) Run excess cable through body tubing and out the stand face. (c) Loop remaining cable through the eyelet of stand face.



4

When mounting Tablet Enclosure attach the Cable Lock for Tablet Stand into place over the supplied Kensington® adapter.



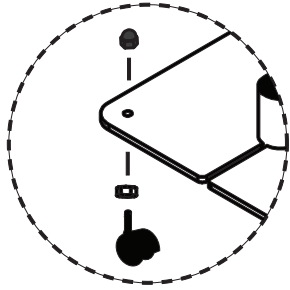


1

If securing stand with Cable Lock refer to instructions on page 3 before continuing to step 2.

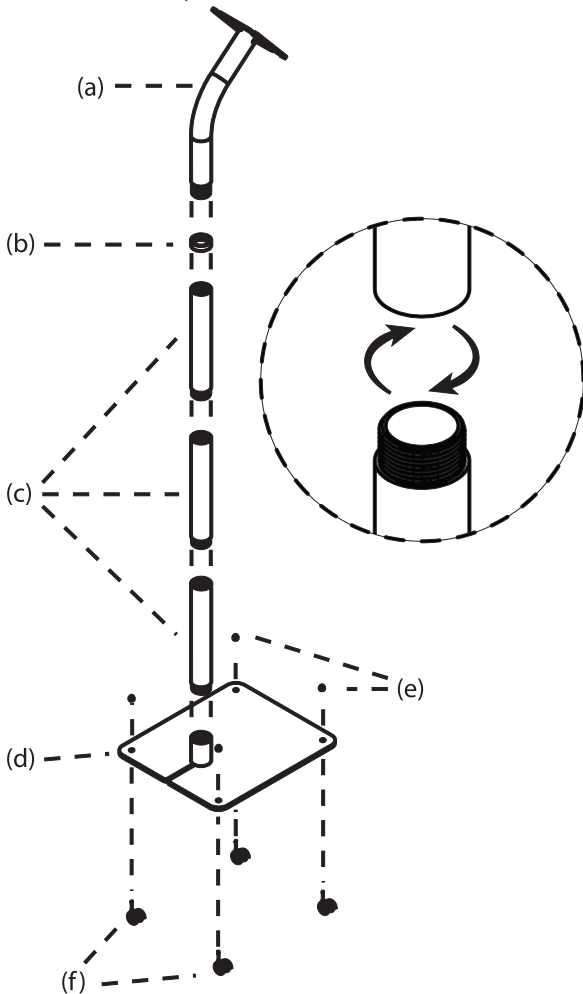
2

Assemble four Swivel Casters (TBCASTER) to the stand base (order Tablet Stand Caster Kit separately).



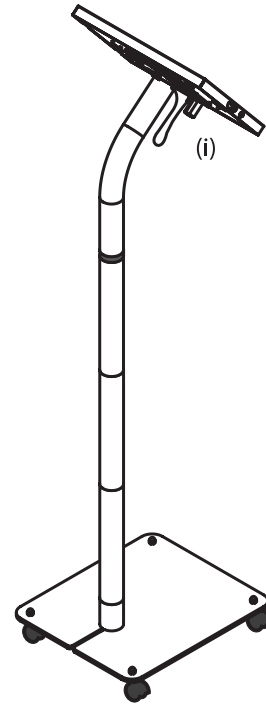
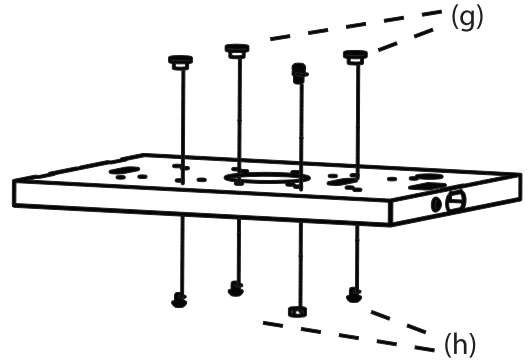
3

Assemble the Table Stand starting from base (no hardware needed).



4

Mount Tablet Enclosure to Tablet Stand. Refer to enclosure-specific mounting instructions on page 1.



(a) Head	Qty 1
(b) Neck Collar	Qty 1
(c) Neck Tubing	Qty 3
(d) Base	Qty 1
(e) Acorn Nuts	Qty 4
(f) Casters (order separately)	Qty 4
(g) Quick-release Tabs	Qty 3
(h) Phillips 3/8 Hardware	Qty 3
(i) Kensington® Adapter	Qty 1