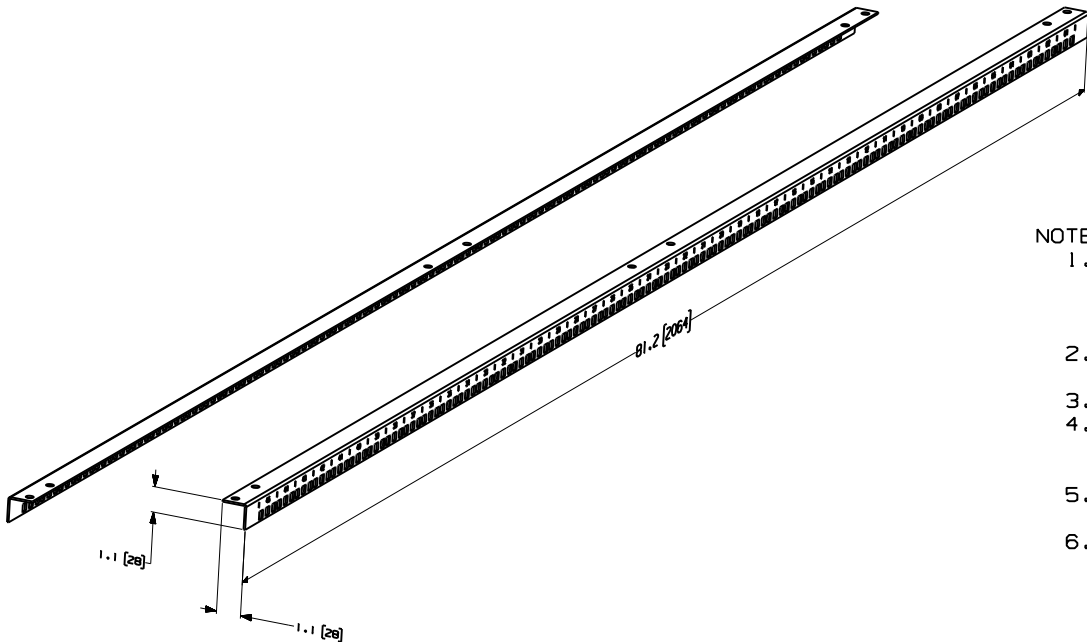


THIS COPY IS PROVIDED ON A RESTRICTED BASIS AND IS NOT TO BE USED IN ANY WAY DETRIMENTAL TO THE INTERESTS OF PANDUIT CORP.

PANDUIT P/N	WEIGHT
R4PRCN	7.0 LBS/EACH 3.2 Kgs/EACH



NOTES:

1. VISIT OUR ON-LINE CATALOG AT WWW.PANDUIT.COM FOR A LIST OF CURRENT PARTS APPLICABLE FOR USE WITH THIS PRODUCT.
2. DIMENSIONS IN PARENTHESIS ARE METRIC.
3. 45 AVAILABLE RACK SPACES.
4. EIA UNIVERSAL STANDARD HOLE PROGRESSION ON BOTH RAILS
.625", .625", .500", .625", .625", .500"...ETC.
5. RAILS WILL MOUNT ON PANDUIT'S R4P SERIES OF 7 FOOT 4 POST RACKS.
6. PART INCLUDES:
 - 1- CAGENUT LEFT REAR/RIGHT FRONT
 - 1- CAGENUT RIGHT REAR/LEFT FRONT
 - 6- 5/16-18 X 3/4" SERRATED HEX WASHERHEAD BOLTS
 - 6- 5/16-18 DUAL WELD NUTS
 - 6- 5/16 GROUND WASHERS
7. RU SPACING NUMBERS ARE CLEARLY PRINTED ON MOUNTING RAILS.
8. RAILS CAN MOUNTED NUMBERS UP OR NUMBERS DOWN. SEE INSTRUCTION SHEET FOR INSTALLATION METHOD.

MODEL FILENAME	V10679ZX/00
CAD FILENAME/LAYERS	V10679ZX_DC/00A

PANDUIT CORP. TINLEY PARK, ILLINOIS

7 FOOT 4 POST CAGENUT RAILS KIT
CUSTOMER DRAWING

UNLESS OTHERWISE SPECIFIED, DIMENSIONAL TOLERANCES ARE:		UNLESS OTHERWISE SPECIFIED,	
INCHES	[METRIC - MILLIMETER]	ALL DIMENSIONS ARE GIVEN	
X.X +/- 0.03	X +/- 0.8	IN INCHES, THIRD ANGLE PROJECTION.	
X.XX +/- 0.015	X.X +/- 0.4		
X.XXX +/- 0.005	X.XX +/- 0.13		

DRAWN BY BAME	MAT'L: STEEL	SCALE NONE
DATE 12-2-09		DRAWING NO. V10679ZX-DC
CHK'D		DWG A SIZE

OOA	12-2-09	BAME		RELEASED TO PRODUCTION	V10679ZX-DC				
REV	DATE	BY	CHK	DESCRIPTION	ECN	R	CUST	SUP	OTH