

HINGE-COVER LIFT-OFF, TYPE 3R



APPLICATION

Featuring a removable cover for easy mounting and access, these enclosures protect components in applications subject to rain, sleet, snow or dripping water.

FEATURES

- Drip-shield top and seam-free sides, front and back
- Galvanized steel lift-off hinges with stainless steel pins
- Provisions for padlocking on each draw pull catch
- Embossed mounting holes on back of enclosure
- Gasketing along top of door
- No knockouts

SPECIFICATIONS

- 16 or 14 gauge galvanized steel
- 16 gauge cover fastened securely with draw pull catch

FINISH

ANSI 61 gray polyester powder paint finish inside and out over galvanized steel. Optional panels are white.

ACCESSORIES

- See also *Accessories*.
- Industrial Corrosion Inhibitors
 - Electric Heater
 - Grounding Device
 - Mounting Bracket Kit
 - Panel Mounting Kit
 - Panel Support Kit
 - Panels for Type 3R, 4, 4X, 12 and 13 Enclosures
 - Junction Box and Wall-Mount Enclosure Swing Out Panel Kit
 - Terminal Block Kit Assembly for Junction Boxes Overview
 - Touch-Up Paint
 - Steel and Stainless Steel Window Kits

BULLETIN: A3LO

INDUSTRY STANDARDS

UL 50, 50E Listed; Type 3R; File No. E27567
 cUL Listed per CSA C22.2 No 94; Type 3R File No. E27567

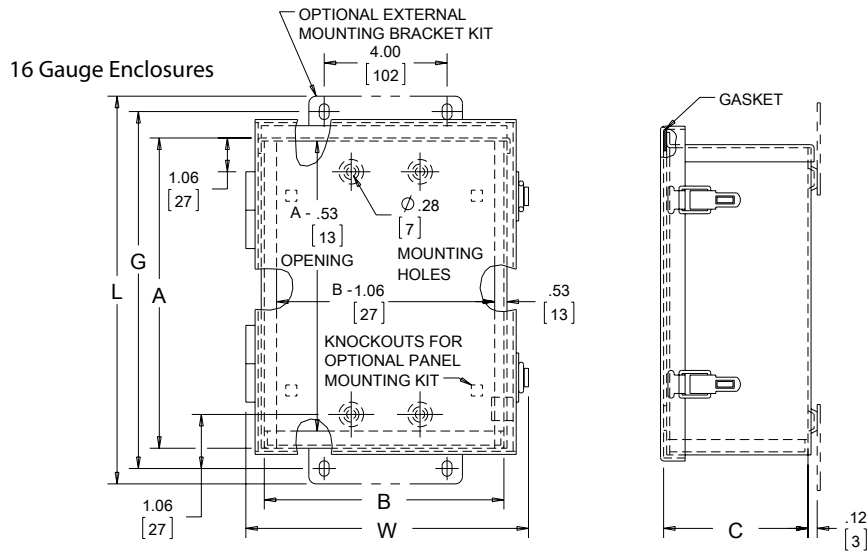
NEMA/EEMAC Type 3R
 CSA, File 42184: Type 3R
 IEC 60529, IP32

Standard Product

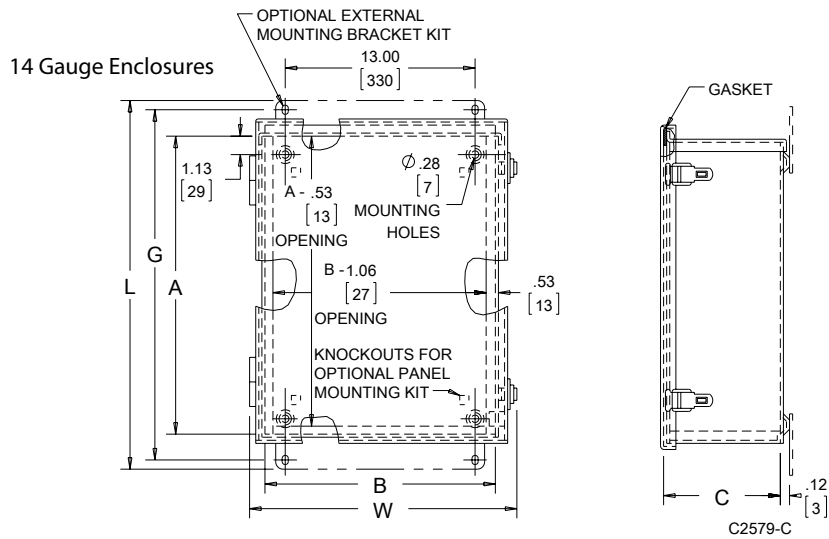
Catalog Number	AxBxC in./mm	Body Gauge	Panel ^a	Panel Size D x E in./mm	Mounting G in./mm	Overall L x W in./mm	Panel Mounting Kit ^b	Mounting Bracket Kit ^b	Mounting Bracket Gauge	Overall Width of Mounting Bracket in./mm	Hole Spacing For Mounting Bracket in./mm
A8R64HCLO	8.00 x 6.00 x 4.00 203 x 152 x 102	16	A6P6	4.88 x 4.88 124 x 124	9.12 232	10.12 x 7.25 257 x 184	APMK3RLO16	AMFK3RLO16	14	5.00 127	4.00 102
A8R86HCLO	8.00 x 8.00 x 6.00 203 x 203 x 152	16	A8P6	6.75 x 4.88 171 x 124	9.12 232	10.12 x 9.25 257 x 235	APMK3RLO16	AMFK3RLO16	14	5.00 127	4.00 102
A10R86HCLO	10.00 x 8.00 x 6.00 254 x 203 x 152	16	A8P8	6.75 x 6.88 171 x 175	11.12 282	12.12 x 9.25 308 x 235	APMK3RLO16	APMK3RLO16	14	5.00 127	4.00 102
A12R106HCLO	12.00 x 10.00 x 6.00 305 x 254 x 152	16	A10P10	8.75 x 8.88 222 x 226	13.12 333	14.12 x 11.25 359 x 286	APMK3RLO16	AMFK3RLO16	14	5.00 127	4.00 102
A12R126HCLO	12.00 x 12.00 x 6.00 305 x 305 x 152	16	A12P10	10.75 x 8.88 273 x 226	13.12 333	14.12 x 13.25 359 x 337	APMK3RLO16	AMFK3RLO16	14	5.00 127	4.00 102
A16R126HCLO	16.00 x 12.00 x 6.00 406 x 305 x 152	16	A14P12	12.75 x 10.88 324 x 276	17.12 435	18.12 x 13.25 460 x 337	APMK3RLO16	AMFK3RLO16	14	5.00 127	4.00 102
A16R166HCLO	16.00 x 16.00 x 6.00 406 x 406 x 152	16	A16P16	13.00 x 13.00 330 x 330	17.31 440	18.31 x 17.25 465 x 438	APMK3RLO14	AMFK3RLO14	12	14.00 356	13.00 330
A20R166HCLO	20.00 x 16.00 x 6.00 508 x 406 x 152	16	A20P16	17.00 x 13.00 432 x 330	21.31 541	22.31 x 17.25 567 x 438	APMK3RLO14	AMFK3RLO14	12	14.00 356	13.00 330
A20R208HCLO	20.00 x 20.00 x 8.00 508 x 508 x 203	14	A20P20	17.00 x 17.00 432 x 432	21.31 541	22.31 x 21.25 567 x 540	APMK3RLO14	AMFK3RLO14	12	14.00 356	13.00 330
A24R208HCLO	24.00 x 20.00 x 8.00 610 x 508 x 203	14	A24P20	21.00 x 17.00 533 x 432	25.31 643	26.31 x 21.25 668 x 540	APMK3RLO14	AMFK3RLO14	12	14.00 356	13.00 330
A24R248HCLO	24.00 x 24.00 x 8.00 610 x 610 x 203	14	A24P24	21.00 x 21.00 533 x 533	25.31 643	26.31 x 25.25 668 x 641	APMK3RLO14	AMFK3RLO14	12	14.00 356	13.00 330
A30R248HCLO	30.00 x 24.00 x 8.00 762 x 610 x 203	14	A30P24	27.00 x 21.00 686 x 533	31.31 795	32.31 x 25.25 821 x 641	APMK3RLO14	AMFK3RLO14	12	14.00 356	13.00 330

^a Purchase panels separately.

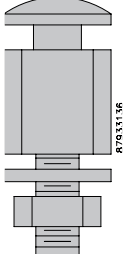
^b Panel Mounting Kit and Mounting Bracket Kit must be ordered separately. (A Panel Mounting Kit must be ordered to install panel.)



NOTE: Enclosures with A=8.00 have one latch.



PANEL MOUNTING KIT

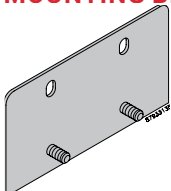


A panel mounting kit (order separately) is required in order to install a panel.

BULLETIN: A3LO

Catalog Number	Description
APMK3RL014	Required to install panel
APMK3RL016	Required to install panel

MOUNTING BRACKET KIT



Optional external mounting bracket kit available for installing enclosure (order separately).

BULLETIN: A3LO

Catalog Number	Gauge	Overall Bracket Width in./mm	Hole Spacing for Bracket in./mm
AMFK3RL014	12	14.00 356	13.00 330
AMFK3RL016	14	5.00 127	4.00 102