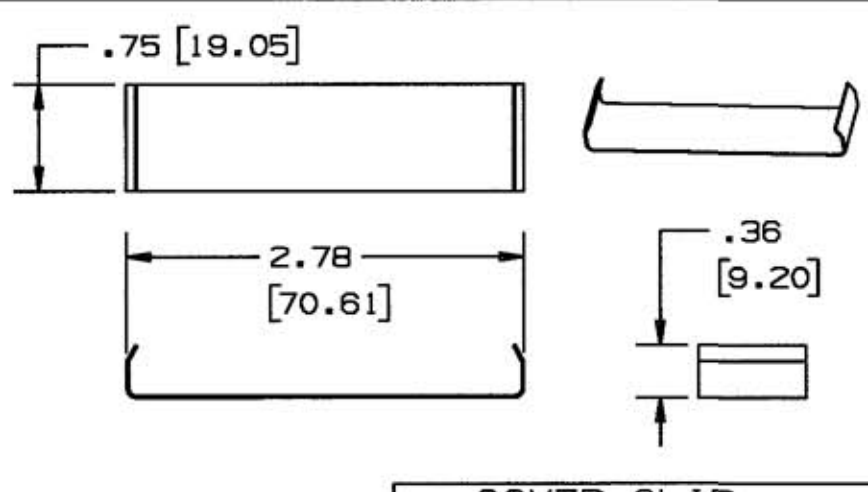
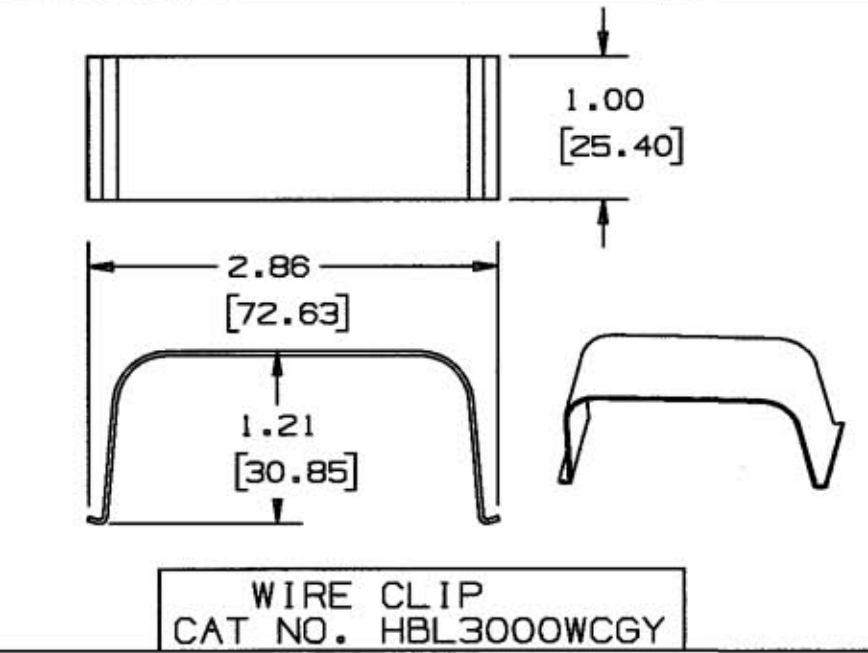
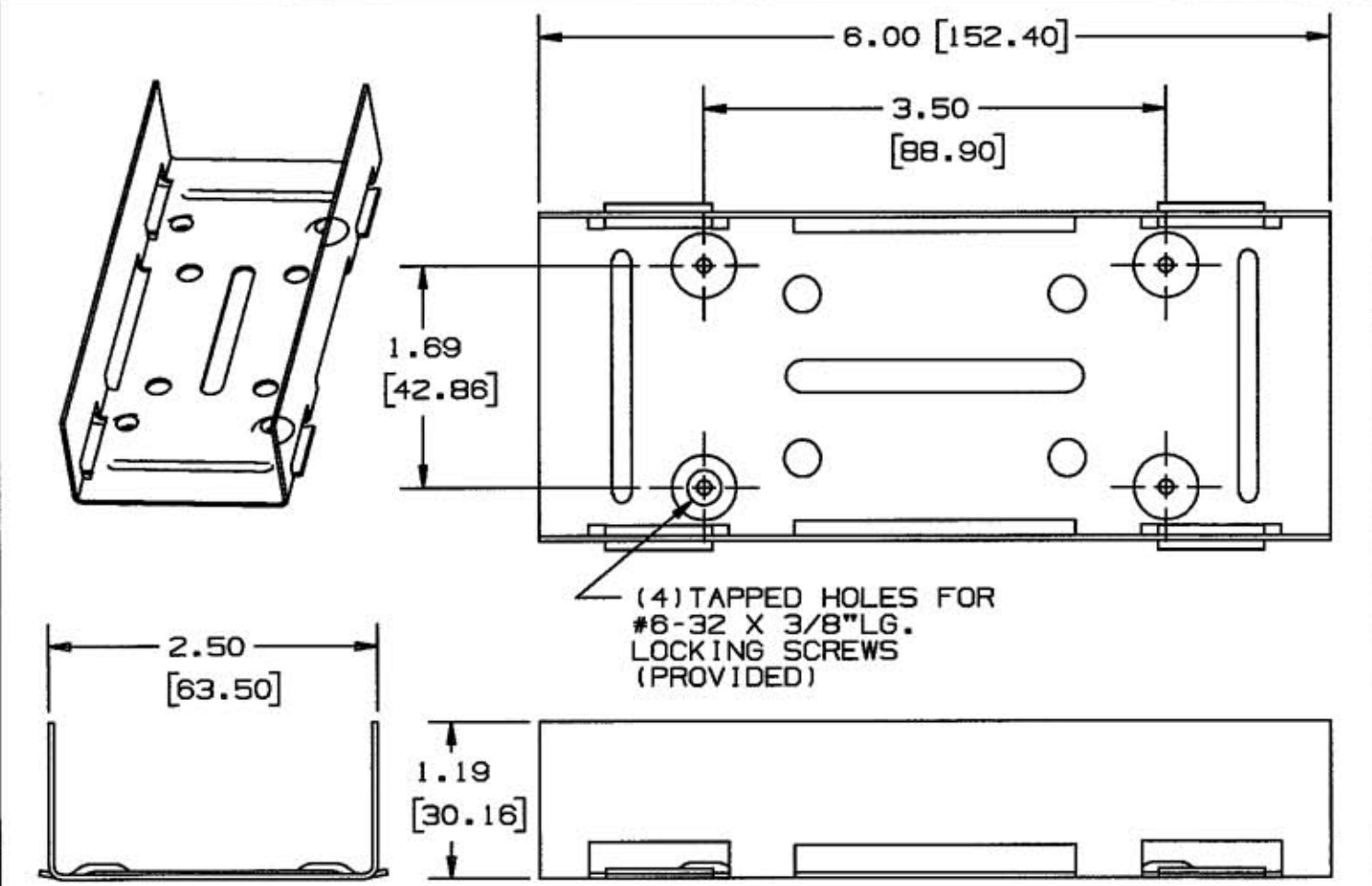
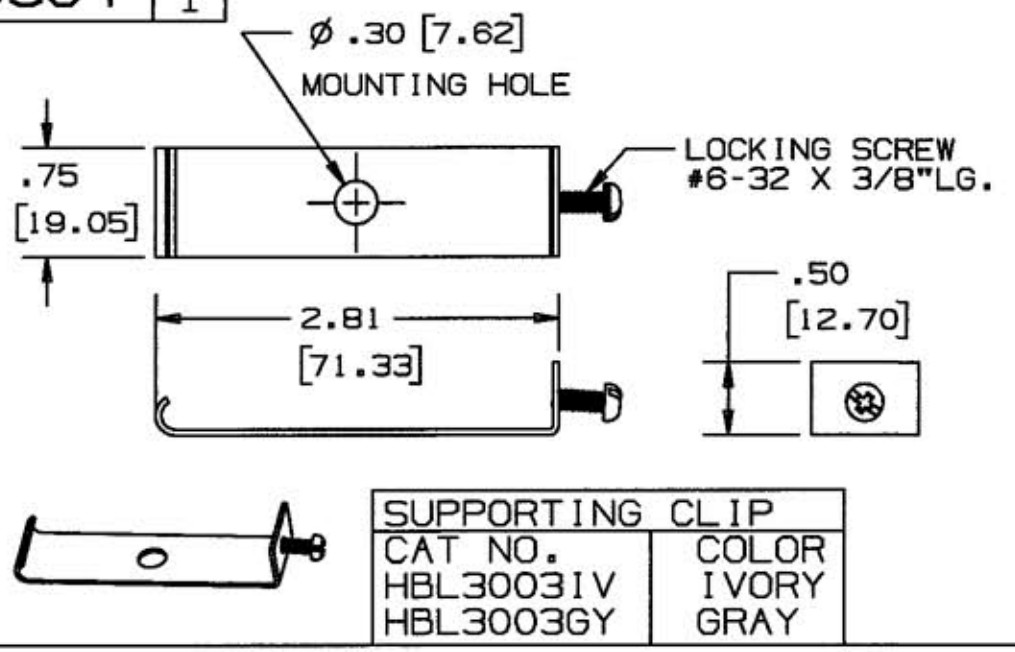
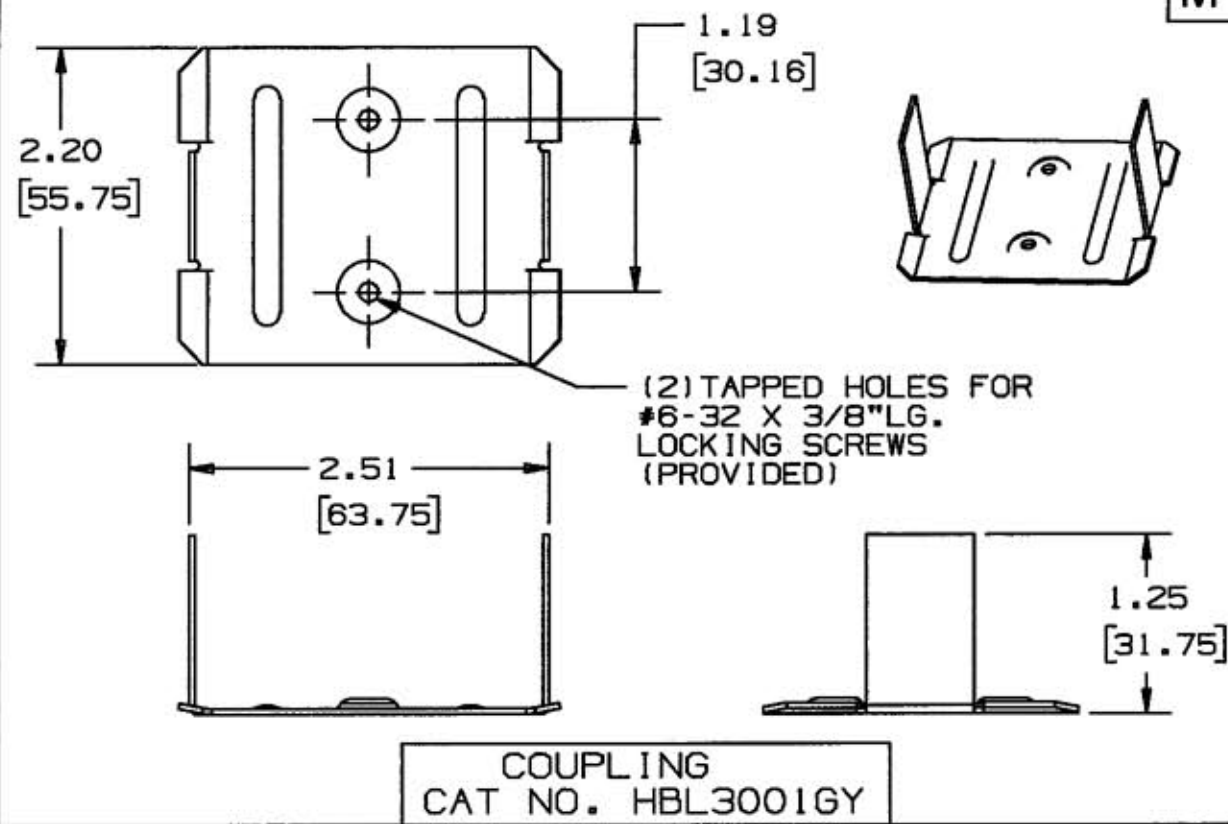


M-10394 1



LIST OF PARTS

DESCRIPTION	MATERIAL	FINISH
COUPLING	STEEL	GALVANIZED
SUPPORTING CLIP	STEEL	PAINTED
RIGID INSIDE COUPLING	STEEL	GALVANIZED
WIRE CLIP	STEEL	GALVANIZED
COVER CLIP	STEEL	PAINTED

DIMENSION SHEET FOR CAT. NO. SEE TABLE

REPAIRABLE NON-REPAIRABLE

B

M-10394

1

1	RELEASED PER DCN 13553	SRE	11/14/06
SYM	REVISIONS	APP	DATE

THE DESIGN AND DIMENSIONS OF THE PRODUCT SHOWN ON THIS DRAWING ARE SUBJECT TO CHANGE WITHOUT NOTICE

TITLE
RACEWAY
MISC. PARTS
HBL3000 SERIES

TOLERANCES UNLESS OTHERWISE SPECIFIED		WIRING DEVICE-KELLEMS HUBBELL INCORPORATED BRIDGEPORT, CT	
FRACTIONS	± 1/64	DR. BY	SRE
DECIMALS	± .005	TR. BY	APP. BY
ANGLES	± 2°	SCALE	1:1
		CHK'D BY	DATE 11/13/06

NOTE: ALL DIMENSIONS IN INCHES AND [MM]