

# **BALDOR® • RELIANCE**

## **Product Information Packet**

### **ECP83661T-4**

**3HP,1755RPM,3PH,60HZ,182T,0632M,TEFC,F1**

Part Detail							
Revision:	S	Status:	PRD/A	Change #:		Proprietary:	No
Type:	AC	Elec. Spec:	06WGX240	CD Diagram:	CD0006	Mfg Plant:	
Mech. Spec:	06H759	Layout:	06LYH759	Poles:	04	Created Date:	10-05-2011
Base:	RG	Eff. Date:	09-07-2017	Leads:	3#16		

Specs			
Catalog Number:	ECP83661T-4	Inverter Code:	Inverter Duty
Enclosure:	TEFC	KVA Code:	J
Frame:	182T	Lifting Lugs:	Standard Lifting Lugs
Frame Material:	Iron	Locked Bearing Indicator:	Locked Bearing
Output @ Frequency:	3.000 HP @ 60 HZ	Motor Lead Quantity/Wire Size:	3 @ 16 AWG
Synchronous Speed @ Frequency:	1800 RPM @ 60 HZ	Motor Lead Exit:	Ko Box
Voltage @ Frequency:	460.0 V @ 60 HZ	Motor Lead Termination:	Ring Terminals
XP Class and Group:	None	Motor Type:	0632M
XP Division:	Division II	Mounting Arrangement:	F1
Agency Approvals:	UR	Power Factor:	77
	CSA EEV	Product Family:	Chem Process S/P 32-8 IEEE 841
	CSA	Pulley End Bearing Type:	Ball
Auxillary Box:	No Auxillary Box	Pulley Face Code:	Standard
Auxillary Box Lead Termination:	None	Pulley Shaft Indicator:	Standard
Base Indicator:	Rigid	Rodent Screen:	None
Bearing Grease Type:	Polyrex EM (-20F +300F)	Shaft Extension Location:	Pulley End
Blower:	None	Shaft Ground Indicator:	No Shaft Grounding
Constant Torque Speed Range:	1.5	Shaft Rotation:	Reversible

<b>Current @ Voltage:</b>	4.100 A @ 460.0 V	<b>Shaft Slinger Indicator:</b>	Shaft Slinger
<b>Design Code:</b>	B	<b>Speed Code:</b>	Single Speed
<b>Drip Cover:</b>	No Drip Cover	<b>Motor Standards:</b>	NEMA
<b>Duty Rating:</b>	CONT	<b>Starting Method:</b>	Direct on line
<b>Electrically Isolated Bearing:</b>	Not Electrically Isolated	<b>Thermal Device - Bearing:</b>	None
<b>Feedback Device:</b>	NO FEEDBACK	<b>Thermal Device - Winding:</b>	None
<b>Front Face Code:</b>	Standard	<b>Vibration Sensor Indicator:</b>	No Vibration Sensor
<b>Front Shaft Indicator:</b>	None	<b>Winding Thermal 1:</b>	None
<b>Heater Indicator:</b>	No Heater	<b>Winding Thermal 2:</b>	None
<b>Insulation Class:</b>	F	<b>XP Temp Code:</b>	T3C

Nameplate NP3235E			
CAT.NO.	ECP83661T-4		
SPEC.	06H759X240G2		
HP	3	TE	IP 56
VOLTS	460		
AMP	4.1		
RPM	1755		
FRAME	182T	HZ	60
SER.F.	1.15	CODE	J DES B
RATING	40C AMB-CONT		
SN			
DE	6206	ODE	6206
NEMA-NOM-EFF	89.5	PF	77
G.MIN.EFF	87.5	CC	010A
T. CODE	T3C	T=	160
		PH	3
		CL	F

<b>Nameplate NP3186E</b>			
<b>SPEC.</b>	06H759X240G2		
<b>D.E. BRG.</b>	30BC02X30X		
<b>O.D.E. BRG.</b>	30BC02X30X		
<b>GREASE</b>	POLYREX EM		
<b>WEIGHT</b>	116	<b># OF ROTOR BARS</b>	28
<b>RPM MAX</b>	2700	<b>MAX. KVAR</b>	.94
<b>BLANK</b>			
<b>INV.TYPE</b>	PWM	<b># OF STATOR SLOTS</b>	36
<b>T=</b>	160	<b>C HP TO</b>	90
<b>C HP FR</b>	60	<b>CT HZ TO</b>	60
<b>CT HZ FROM</b>	1.5	<b>VT HZ TO</b>	60
<b>VT HZ FROM</b>	0-	<b>HTR-AMPS</b>	N/A
<b>HTR-VOLTS</b>	N/A	<b>MAX. SPACE HEATER TEMP.</b>	N/A
<b>HTR-WATTS</b>			

**AC Induction Motor Performance Data**

Record # 46989 - Typical performance - not guaranteed values

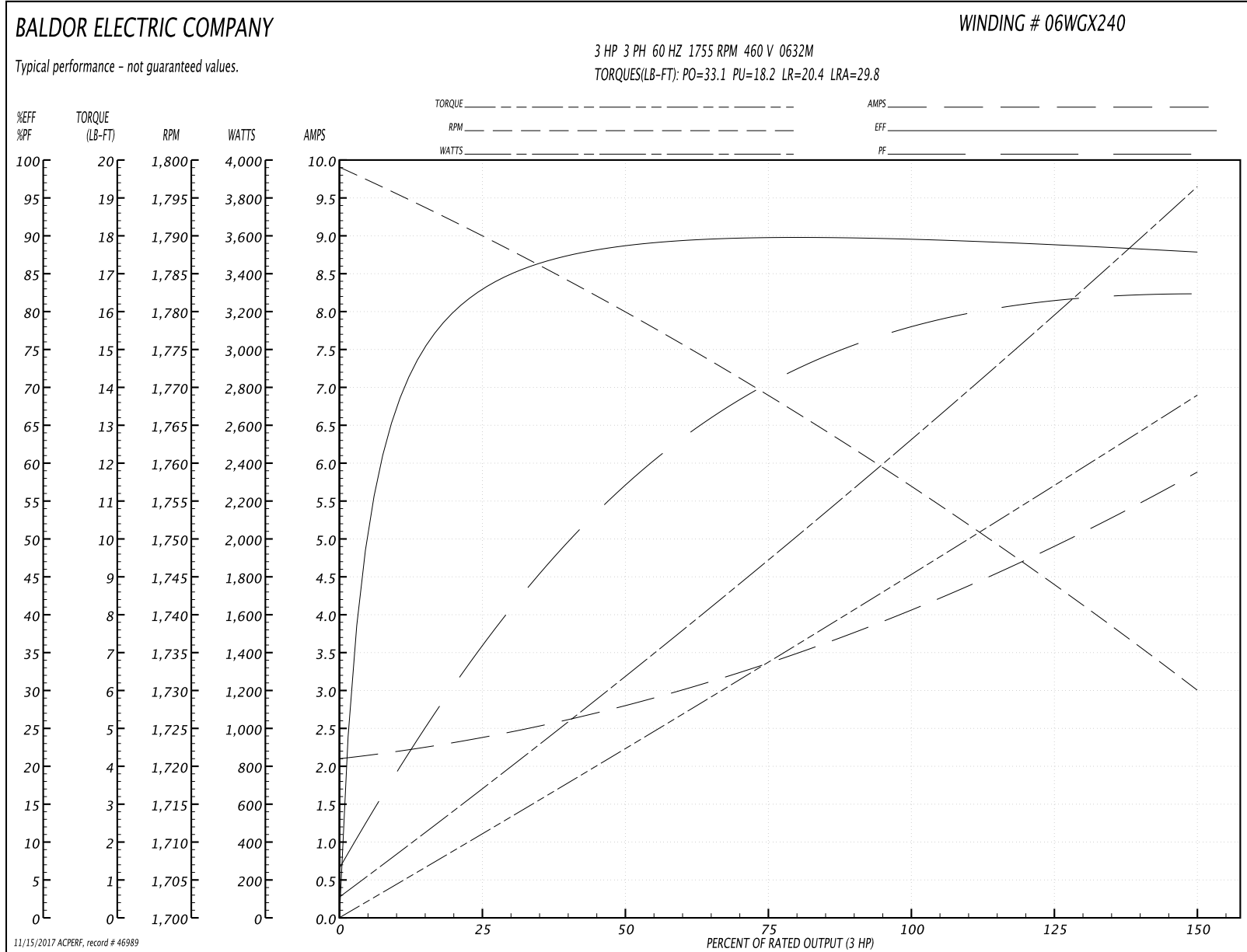
<b>Winding:</b> 06WGX240-R041	<b>Type:</b> 0632M	<b>Enclosure:</b> TEFC
-------------------------------	--------------------	------------------------

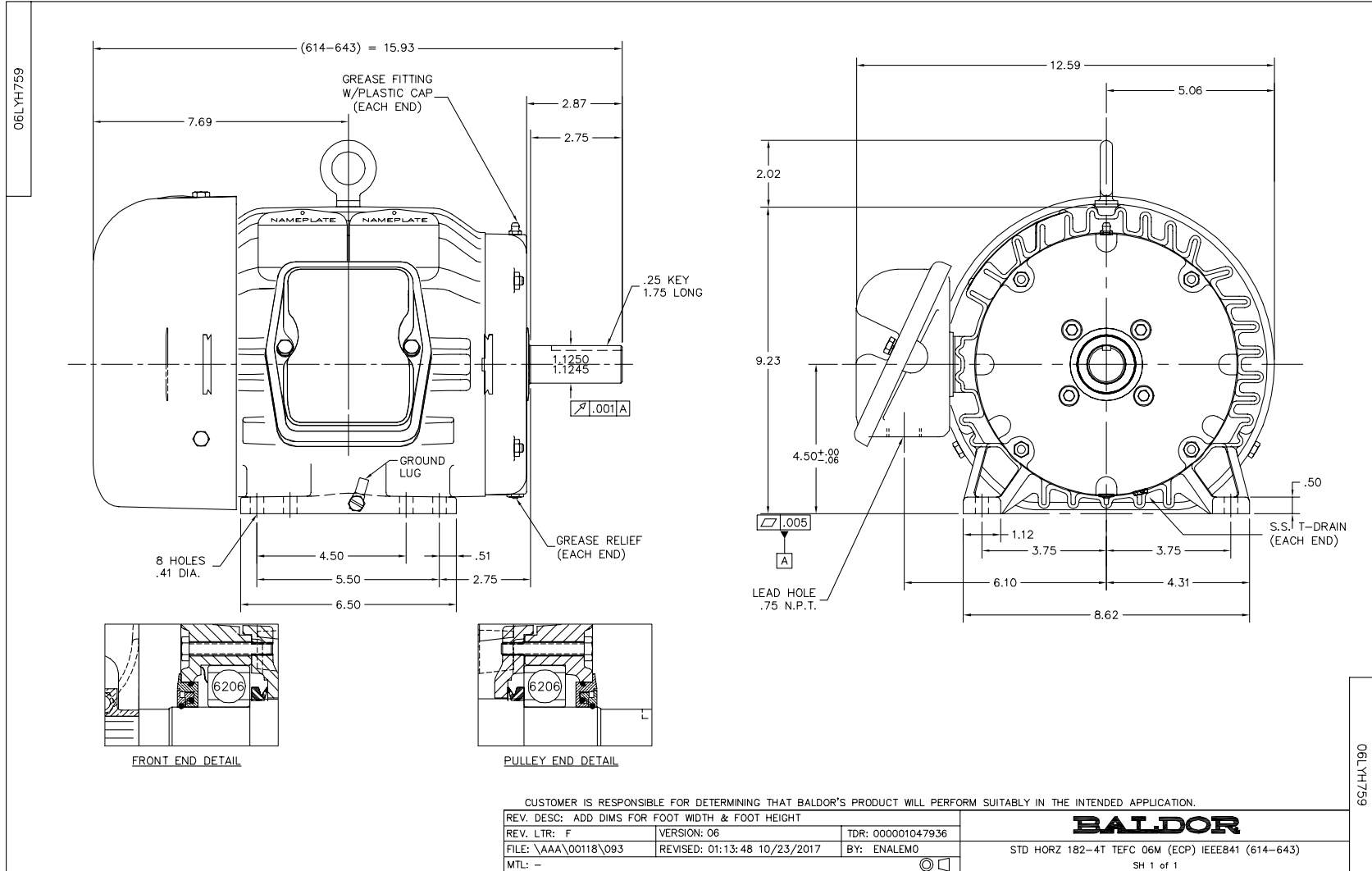
Nameplate Data				460 V, 60 Hz: Single Voltage Motor	
Rated Output (HP)	3			Full Load Torque	9.06 LB-FT
Volts	460			Start Configuration	direct on line
Full Load Amps	4.1			Breakdown Torque	33.1 LB-FT
R.P.M.	1755			Pull-up Torque	18.2 LB-FT
Hz	60	Phase	3	Locked-rotor Torque	20.4 LB-FT
NEMA Design Code	B	KVA Code	J	Starting Current	29.8 A
Service Factor (S.F.)	1.15			No-load Current	2.14 A
NEMA Nom. Eff.	89.5	Power Factor	77	Line-line Res. @ 25°C	3.93 Ω
Rating - Duty	40C AMB-CONT			Temp. Rise @ Rated Load	35°C
S.F. Amps				Temp. Rise @ S.F. Load	42°C
				Locked-rotor Power Factor	41.4
				Rotor inertia	0.298 LB-FT <sup>2</sup>

Load Characteristics 460 V, 60 Hz, 3 HP

% of Rated Load	25	50	75	100	125	150	S.F.
Power Factor	38	58	70	77	81	83	79
Efficiency	83.2	88.3	89.8	89.7	89.1	87.7	89.3
Speed	1790	1779	1769	1757	1744	1730	1749
Line amperes	2.34	2.79	3.39	4.1	4.91	5.86	4.59

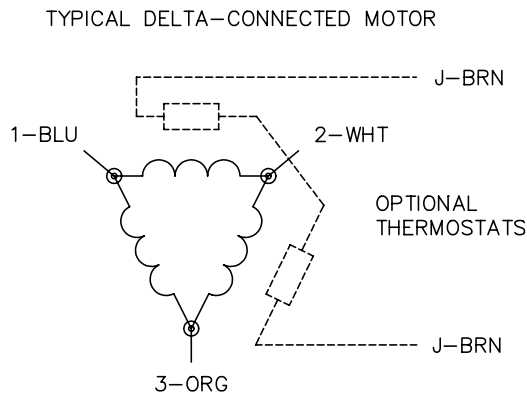
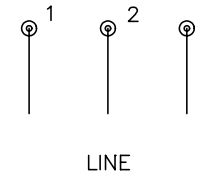
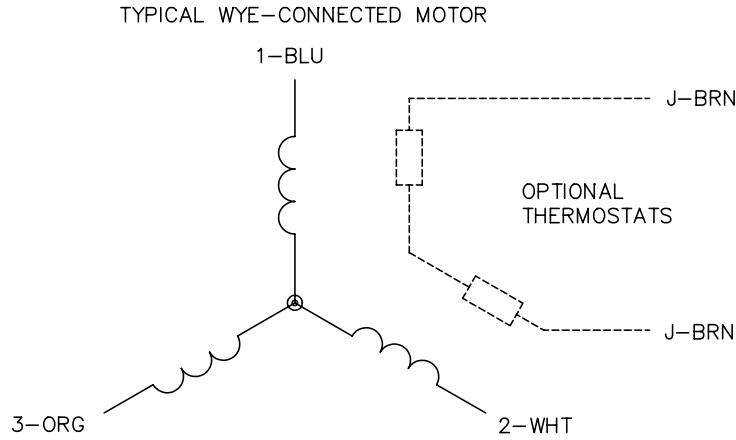
Performance Graph at 460V, 60Hz, 3.0HP Typical performance - Not guaranteed values







CD0006



NOTES:

1. THREE LEAD MOTOR MAY BE EITHER WYE CONNECTED OR DELTA CONNECTED.
2. INTERCHANGE ANY TWO LINE LEADS TO REVERSE ROTATION.
3. OPTIONAL THERMOSTATS ARE PROVIDED WHEN SPECIFIED.
4. ACTUAL NUMBER OF INTERNAL PARALLEL CIRCUITS MAY VARY.
5. LEAD COLORS ARE OPTIONAL. LEADS MUST BE NUMBERED AS SHOWN.

REV. DESC: REVISE TO SHOW OPTIONAL COLORS			
REV. LTR: D	BY: JLP	REVISED: 01/21/99 4:02	TDR: 0171435
9000D		FILE: AAA00005141	MDL: -
		MTL: -	

**BALDOR ELECTRIC Co.**

3PH, SV, 3 LEADS, WYE OR DELTA CONNECTED

CD0006