



Watertight Devices

Technical Information

Specifications

Listings (Plug/Connector and Flip Lid Assembly)

Listed to UL498.
 Certified to CSA C22.2 No. 42.
 Meets NEMA WD-1, WD-6 and ANSI standards.

Materials

Plug/Connector

Part	Materials
Blade/Contact Carrier	PBT Thermoplastic, yellow
Terminal Retainer	Polycarbonate, clear
Housing	Thermoplastic Elastomer, yellow
Housing Insert	Polypropylene, natural
Strain Relief Nut	PBT Thermoplastic, gray
Grommet	Thermoplastic Elastomer, various colors
Ferrule	Polypropylene, natural
Blades/Contacts	Brass, nickel
Terminal Screws	Steel, chromate
Terminal Screw Size	#8-32
Body Holding Screws	Stainless steel
Drive Screws	Steel, chromate

Flip Lid Assembly (see connector for device materials)

Part	Materials
Flip lid and cover plate	PBT Thermoplastic, yellow
Sealing Collar	Thermoplastic elastomer, yellow
Mounting Plate	Stainless steel
Spring	Stainless steel
Hinge Pin	Stainless steel
Mounting Screws	Stainless steel

Portable Outlet box and Accessories

Part	Materials
Box Enclosure	Thermoplastic Elastomer, yellow
Strain Relief Nut	PBT Thermoplastic, gray
Grommet	Thermoplastic Elastomer, various colors
Ferrule	Polypropylene, natural
Strain relief insert	Nylon, yellow
Locknut	Steel, zinc plate
Threaded inserts	Polypropylene, natural
Strain relief wire	Brass
Duplex receptacle screw	Stainless steel
Cover plate screws	Steel, black oxide
Cover Plate	Nylon, gray
Flip covers	PBT Thermoplastic, yellow
Flip cover seal	Foam rubber, black
Cover plate Spring	Stainless steel
Hinge Pin	Aluminum
Hinge bracket	Stainless steel
Rivets	Brass

Performance

Electrical

Dielectric Voltage	
Connectors:	2000VAC if rated 300V or less 3000VAC if rated above 300V
Plugs:	2500VAC if rated 300V or less 3500VAC if rated above 300V
Max Working Voltage	As marked
Current Interrupting	Rated for current interruption per UL498
Temperature Rise	30°C max per UL498 at rated current

Mechanical

Cord and terminal accommodations:

Plugs and Connectors

15 and 20A straight blade and 15A locking	Types S, SO, ST, SJ, SJO, SJT 18/3 to 12/3, .300 min. to .625 in. max (7.6 to 15.9 mm) dia.
20 and 30A 3-wire locking	12/3 SJ, 14/3 S to 10/3 S (.475" to .720") (12.1 mm to 19.2 mm)
20A 4-wire locking	14/4 S to 10/4 S (.560" to .775") (14.2 mm to 19.9 mm)
30A 4-wire locking	12/4 S to 8/4 S, 6/4 MSHA (.640" to .930") (16.3 mm to 23.6 mm)

Receptacles – use solid or stranded building wire or flexible cord only as outlined below:

All 15 and 20A straight blade	18 AWG to 12 AWG
20A locking and 30A 3-wire	14 AWG to 10 AWG
30A 4-wire	12 AWG to 6 AWG

Portable Outlet Boxes

All	16/3 SO through 12/3 SO cord
Wiring Volume	Standard - 14.5 cu. in. Deep - 17 cu. in.

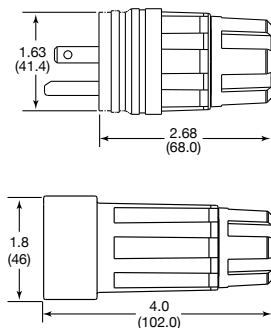
Environmental

Moisture Resistance	NEMA 4, 4X, 12, 6, 6P (Plug and Connector only) NEMA 3R (Flip lid assemblies) NEMA TYPE 1 (Portable Outlet Box)
Flammability	UL94V0 (boxes and wiring device interiors) UL94V2 (cover plates) UL94HB (wiring device housings, flip lid seals)
Operating temperatures	-40°C (without impact) to +60°C continuous
UV resistance	All exposed materials are UV stabilized

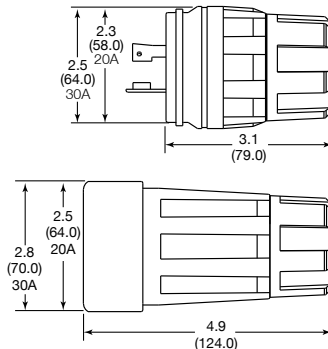
Product Dimensions Inches (mm)

Watertight Plugs and Connectors

Straight Blade and 15A Locking



Locking



Receptacles with Lift Cover and Cover Assemblies

