

## DESCRIPTION

The VT2 Series is an energy efficient industrial Vaportite fixture that features rugged and durable construction. The VT2 incorporates a full metal fixture liner inside a reinforced fiberglass housing with a high impact diffuser. This Vaportite series is suitable for interior and exterior applications and can be surface or chain mounted.

The VT2 Series has been designed for maximum operation in commercial institutional and industrial environments where weathering, high temperature, humidity and dust or corrosive fumes are present.

|                    |  |             |
|--------------------|--|-------------|
| <b>Catalog #</b>   |  | <b>Type</b> |
| <b>Project</b>     |  |             |
| <b>Comments</b>    |  | <b>Date</b> |
| <b>Prepared by</b> |  |             |

## SPECIFICATION FEATURES

### Construction

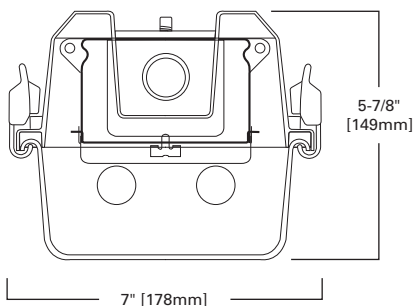
Fiberglass housing is reinforced polyester and self-extinguishing (ASTM-D635-74) plastic of a permanent pearl gray color. Top of housing has thirteen (13) embossments (8' unit), providing mounting flexibility on uneven surfaces. A watertite hub for 1/2" conduit entry is provided at each end of housing (standard) for continuous feed. Polyurethane gasketing is formed in the housing providing a continuous seamless seal for the diffuser. Twelve (12) sturdy cam latches clamp diffuser tightly for a positive seal between housing, gasket and diffuser.

### Electrical\*

Unit has full metal liner (channel) secured by brass internal/external mounting studs for positive grounding, maximum protection and rigidity. Ballasts are CBM/ETL Class "P" certified suitable to minus 20°F. Spring loaded lampholders. Electrical components and fixtures are UL/CUL listed for Wet Locations.\*\*

### Reflectors

"DR" - Clear low brightness pattern acrylic with 15% high impact additive.  
 "DR-100" - Clear low brightness pattern acrylic with 100% high impact additive.  
 Example: VT2-296HODR-100  
 "LEX" - High impact clear low brightness pattern polycarbonate.  
 LEXAN  
 Example: VT2-296HOLEX.

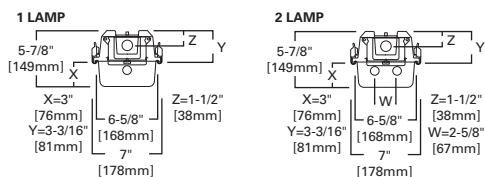


**VT2**  
 196HO  
 196T8HO  
 296HO  
 296T8HO

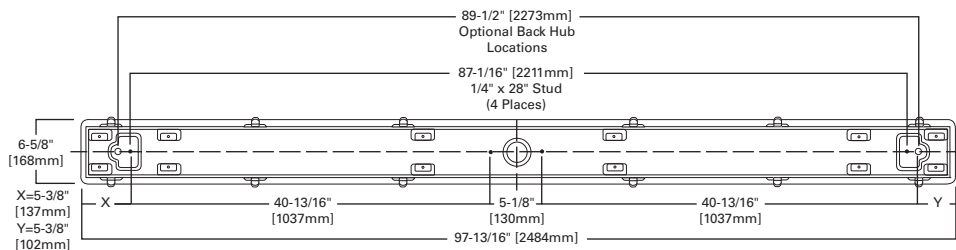
**8' INDUSTRIAL  
 1 OR 2 LAMPS HIGH OUTPUT,  
 800MA**

Vaportite Industrial

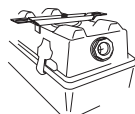
## LAMP CONFIGURATIONS



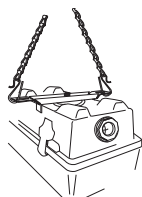
## MOUNTING DATA



## INSTALLATION DATA



**MOUNTING BRACKETS**  
 Furnished  
 Two per 2' and 4' Unit  
 Four per 8' Unit



**OPTIONAL CHAN HANGING SET**  
 (VT2-CHAIN/SET-U)  
 Includes 6 ft. of chain, 4 large S-Hooks and 4 small S-Hooks  
 Order One (1) Kit for each 2' or 4' Fixture  
 Two (2) Kits Recommended For 8' Fixture

## ENERGY DATA

Input Watts:  
**EB Ballast & STD Lamps**  
 296HO (208)  
 296HOT8 (160)

**STD Ballast & STD Lamps**  
 196HO (82)  
 296HO (237)  
 248HO (145)

Luminaire Efficacy Rating  
**LER = FI-50**

**Catalog Number:** VT2-296HO DR-WL  
**Yearly Cost of 1000 lumens,**  
**3000 hrs at .08 KWH = \$4.80**

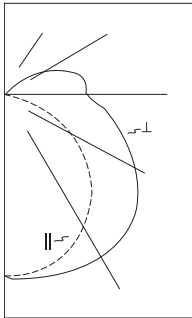
\*Reference the lamp/ballast data in the Technical Section for specific lamp/ballast requirements.

\*\*Not Suitable for Wet Locations if EL4 Option is added. Consult Pre Sales Technical Support.

**LAMPS CONTAIN MERCURY. DISPOSE ACCORDING TO LOCAL, STATE OR FEDERAL LAWS**

**LINEAR DISCONNECT**  
 Safe and convenient means of disconnecting power.

PHOTOMETRICS



**VT2-296HO DR-WL**  
Energy Saving Ballast  
F96T12/CW/HO/EW  
Lamps  
8000 Lumens

Spacing criterion:  
(II) 1.3 x mounting  
height, (I) 1.6 x  
mounting height  
Efficiency 69.1%

Test Report:  
VT2296HODRWL.IES  
LER = FI-50

Yearly Cost of 1000  
lumens, 3000 hrs at  
.08 KWH = \$4.80

**Coefficients of Utilization**

| rc         | Effective floor cavity reflectance |    |    |    |     |    |    |    |     |    |    |    |     |    |    |    |     |    |    |    |    |    |    |   |
|------------|------------------------------------|----|----|----|-----|----|----|----|-----|----|----|----|-----|----|----|----|-----|----|----|----|----|----|----|---|
|            | 20%                                |    |    |    |     |    |    |    |     |    |    |    |     |    |    |    |     |    |    |    |    |    |    |   |
|            | 80%                                |    |    |    | 70% |    |    |    | 50% |    |    |    | 30% |    |    |    | 10% |    |    |    | 0% |    |    |   |
| rw         | 70                                 | 50 | 30 | 10 | 70  | 50 | 30 | 10 | 50  | 30 | 10 | 50 | 30  | 10 | 50 | 30 | 10  | 50 | 30 | 10 | 50 | 30 | 10 | 0 |
| <b>RCR</b> |                                    |    |    |    |     |    |    |    |     |    |    |    |     |    |    |    |     |    |    |    |    |    |    |   |
| 0          | 80                                 | 80 | 80 | 80 | 76  | 76 | 76 | 76 | 71  | 71 | 71 | 65 | 65  | 65 | 60 | 60 | 60  | 58 |    |    |    |    |    |   |
| 1          | 71                                 | 66 | 63 | 59 | 67  | 64 | 60 | 57 | 59  | 56 | 54 | 54 | 52  | 50 | 50 | 48 | 47  | 44 |    |    |    |    |    |   |
| 2          | 63                                 | 57 | 51 | 47 | 60  | 55 | 50 | 45 | 50  | 46 | 43 | 46 | 43  | 40 | 43 | 40 | 37  | 35 |    |    |    |    |    |   |
| 3          | 57                                 | 49 | 43 | 38 | 55  | 47 | 42 | 37 | 44  | 39 | 35 | 40 | 36  | 33 | 37 | 34 | 31  | 29 |    |    |    |    |    |   |
| 4          | 52                                 | 43 | 37 | 32 | 50  | 41 | 35 | 31 | 38  | 33 | 29 | 35 | 31  | 28 | 33 | 29 | 26  | 24 |    |    |    |    |    |   |
| 5          | 48                                 | 38 | 32 | 27 | 45  | 37 | 31 | 26 | 34  | 29 | 25 | 31 | 27  | 23 | 29 | 25 | 22  | 20 |    |    |    |    |    |   |
| 6          | 44                                 | 34 | 28 | 23 | 42  | 33 | 27 | 22 | 31  | 25 | 21 | 28 | 24  | 20 | 26 | 22 | 19  | 18 |    |    |    |    |    |   |
| 7          | 41                                 | 31 | 24 | 20 | 39  | 30 | 24 | 20 | 28  | 22 | 19 | 26 | 21  | 18 | 24 | 20 | 17  | 15 |    |    |    |    |    |   |
| 8          | 38                                 | 28 | 22 | 18 | 36  | 27 | 21 | 17 | 25  | 20 | 17 | 23 | 19  | 16 | 22 | 18 | 15  | 13 |    |    |    |    |    |   |
| 9          | 35                                 | 26 | 20 | 16 | 33  | 25 | 19 | 15 | 23  | 18 | 15 | 21 | 17  | 14 | 20 | 16 | 13  | 12 |    |    |    |    |    |   |
| 10         | 33                                 | 23 | 18 | 14 | 31  | 23 | 17 | 14 | 21  | 17 | 13 | 20 | 16  | 13 | 19 | 15 | 12  | 11 |    |    |    |    |    |   |

**Zonal Lumen Summary**

| Zone   | Lumens | %Lamp | %Fixture |
|--------|--------|-------|----------|
| 0-30   | 1873   | 11.7  | 16.9     |
| 0-40   | 3187   | 19.9  | 28.8     |
| 0-60   | 6152   | 38.4  | 55.6     |
| 0-90   | 9276   | 58.0  | 83.9     |
| 90-180 | 1783   | 11.1  | 16.1     |
| 0-180  | 11059  | 69.1  | 100.0    |

**Candela**

| Angle | Along II | 45°  | Across I |
|-------|----------|------|----------|
| 0     | 2279     | 2279 | 2279     |
| 10    | 2260     | 2260 | 2329     |
| 20    | 2144     | 2229 | 2354     |
| 30    | 1958     | 2155 | 2361     |
| 40    | 1697     | 2034 | 2322     |
| 50    | 1360     | 1834 | 2182     |
| 60    | 935      | 1529 | 1902     |
| 70    | 496      | 1209 | 1596     |
| 80    | 176      | 952  | 1320     |
| 90    | 23       | 697  | 1043     |
| 100   | 20       | 644  | 1027     |
| 110   | 9        | 477  | 868      |
| 120   | 4        | 249  | 588      |
| 130   | 3        | 87   | 291      |
| 140   | 4        | 24   | 87       |
| 150   | 4        | 7    | 21       |
| 160   | 4        | 3    | 4        |
| 170   | 3        | 3    | 3        |
| 180   | 0        | 0    | 0        |

ORDERING INFORMATION

SAMPLE NUMBER: VT2-296T8HO-120V-WL-U

|   |   |  |                            |  |   |
|---|---|--|----------------------------|--|---|
| <p><b>Series</b><br/>VT2=Vapor-Tite</p> <p><b>Number of Lamps<sup>(3)</sup></b><br/>1 or 2 Lamps<br/>(Not included)</p> <p><b>Wattage (Length)</b><br/>96HO=95/110WT12 (96") HO<br/>96T8HO=86WT8 (96") HO</p> <p><b>Lens</b><br/>DR=Internal Prismatic Lens/15% DR<br/>High Impact Additive (Standard)<br/>DR-100=100% High Impact Additive<br/>LEX=High Impact Clear<br/>Polycarbonate LEXAN Lens/Low<br/>Brightness Pattern</p> | <p><b>Voltage<sup>(1)</sup></b><br/>120V=120 Volt<br/>277V=277 Volt<br/>347V=347 Volt<br/>UNV=Universal Voltage 120-277<sup>(2)</sup></p> <p><b>Options</b><br/>GL=Single Element Fuse<br/>GM=Double Element Fuse<br/>VT-REM-_(specify battery)=<br/>Remote Emergency Enclosure<sup>(4)</sup></p> | <p><b>Ballast Type<sup>(1)</sup></b><br/>EB8_=T8 Electronic Instant Start.<br/>Total Harmonic Distortion &lt; 10%<br/>No. of Ballast<br/>1 or 2<br/>EB2_=T12 Electronic Rapid Start.<br/>No. of Ballast<br/>1 or 2</p> | <p><b>WL=Wet Label</b></p> | <p><b>Options</b><br/>TH=(2) Top Watertite Hubs<br/>TEH=(2) Top &amp; (2) End<br/>Watertite Hubs (All<br/>Watertite Hubs Have 1/2"<br/>Conduit Entry)<br/>TILW=Tandem In-Line<br/>Wiring Option (Consult<br/>TILW Option Catalog Page)<br/>PI/CPI=Plug-In Option<br/>(See options &amp; accessories)</p> | <p><b>Packaging</b><br/>U=Unit Pack</p> |
|---|---|--|----------------------------|--|---|

NOTES: <sup>(1)</sup> Products also available in non-US voltages and frequencies for international markets. <sup>(2)</sup> Not available when specifying emergencies, voltage must be specific. <sup>(3)</sup> 3-lamp only available for 32WT8 lamps. <sup>(4)</sup> Rated for operation up to 30°C.

Specifications & dimensions subject to change without notice. Consult your Cooper Lighting Representative for availability and ordering information.

SHIPPING DATA

| Catalog No.       | Wt.     |
|-------------------|---------|
| VT2-196T8HO DR-WL | 20 lbs. |
| VT2-296T8HO DR-WL | 20 lbs. |