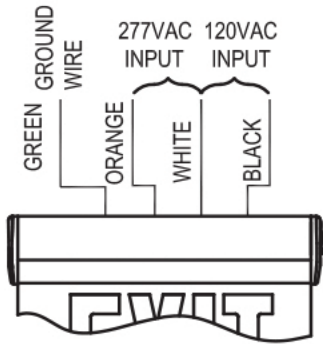


WIRING DIAGRAM



ELECTRICAL CONNECTIONS

1. Make the proper supply wire connections.
2. If using 120 VAC, connect the black and white wires to the building utility.
3. If using 277 VAC, connect the orange and white wires to the building utility.
4. Cap off unused wire. In all cases, use standard wire nuts in connection to wires.



RECYCLING INFORMATION

All steel, aluminum and thermoplastic parts are recyclable.
 NOTICE: Emergency units contain rechargeable batteries which must be recycled or disposed of properly.

Hubbell Lighting, Inc. Life Safety Products • www.dual-lite.com

Copyright © Hubbell Lighting, Inc., All Rights Reserved • Specifications subject to change without notice. • Printed in U.S.A.

COMP0003_INST_SHT 09/12



CELR

Recessed Mount LED Emergency Exit



IMPORTANT SAFEGUARDS

When using electrical equipment, basic safety precautions should always be followed including the following.

READ AND FOLLOW ALL SAFETY INSTRUCTIONS

1. Do not use outdoors.
2. Do not let power supply cords touch hot surfaces.
3. Do not mount near gas or electric heaters.
4. Equipment should be mounted in locations and at heights where it will not readily be subject to tampering by unauthorized personnel.
5. The use of accessory equipment not authorized by the manufacturer may cause an unsafe condition.
6. Do not use this equipment for other than its intended purpose.
7. Servicing of this equipment should be performed by qualified service personnel.
8. Test cycling: the Life Safety Code (NFPA 101) requires testing of emergency lighting units once a month for a minimum of 30 seconds, and once a year for a minimum of 90 minutes.

INSTALLER:

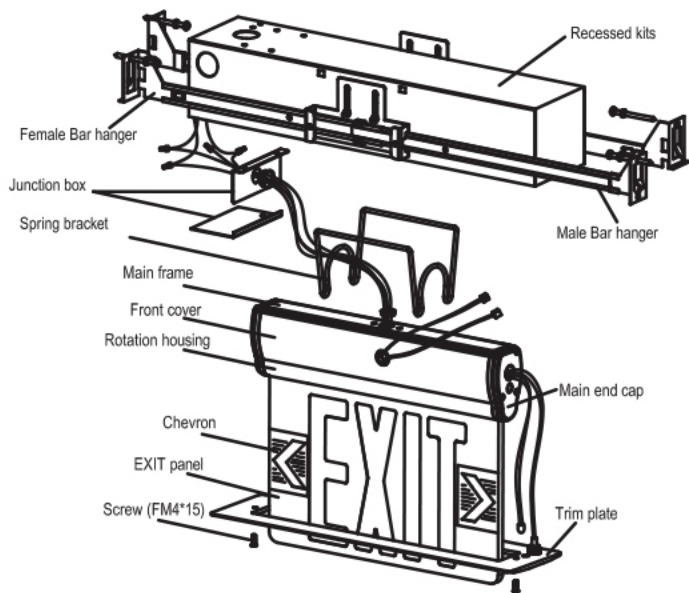
- SEE UNIT LABEL FOR ADDITIONAL MODEL SPECIFICATIONS
- SAVE THESE INSTRUCTIONS FOR USE BY OWNER/OCCUPANT

WARNING – This product contains chemicals known to the State of California to cause cancer, birth defects and/or other reproductive harm. Thoroughly wash hands after installing, handling, cleaning, or otherwise touching this product.

PACKAGE CONTENTS

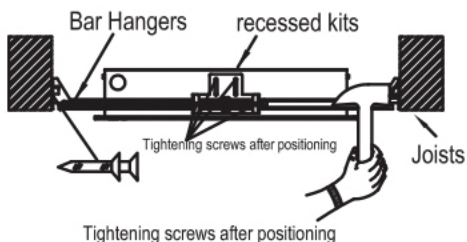
Part	Description	Quantity
1	LED Edge-Lit EXIT Sign	1
2	Adjust Bracket and Bar hanger	2
3	Hardware Bag	1

ASSEMBLY DRAWING

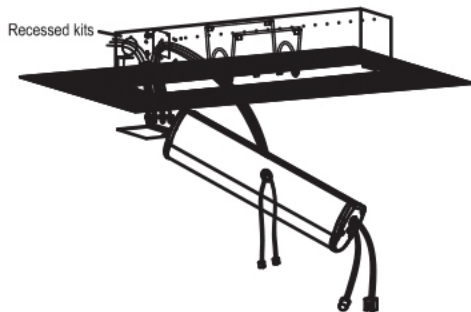


NOTE: FIRST TURN OF ELECTRICITY
RECESSED CEILING MOUNTING

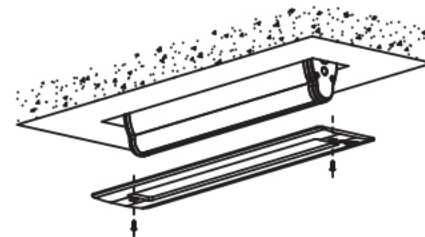
1. Refer to assembly drawing before you start installation.
2. Position recessed kits and bar hangers between joists. Make sure bar hangers are extended be hanged in the correct position. Position recessed kits temporarily by hammering nail tabs on bar hangers, then secure permanently with screws. Bar hangers should be level with bottom of joists.
3. Adjust height of recessed kits vertically using adjusting slots and then tightening all screws on adjusting slots and bars hanger bracket to back-box screws



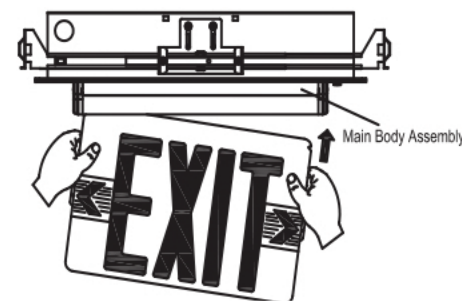
4. Make proper electrical connections at J-Box in the metal box or at junction box in the ceiling of building. If using 120VAC, connect black and white leads to the building utility. If using 277VAC, connect orange and white leads to the building utility. Cap off unused wire. In all cases, use standard wire nuts in connection to leads. You may use holding wire during wiring.



5. Connect battery connector.
6. Connect test switch and LED Indicator cables via connectors.
7. Secure trim plate by using provided screws.

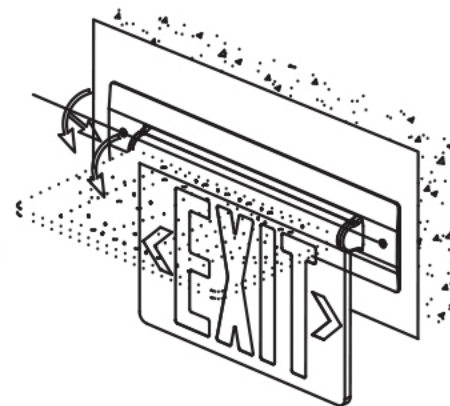


8. Insert EXIT panel into main body assembly gently. If EXIT panel is for single face, make sure EXIT letter direction is correct.
9. Determine direction for chevron placement. (See DETERMINE DIRECTION)
10. The unit can be installed on any surface, you may rotate the EXIT panel in any angle from 0° to 180°.



RECESSED WALL MOUNTING

1. Reference 1-10 step in recessed ceiling mounting above for recessed wall mounting.
2. Recessed ceiling mounting rotate 90° become recessed wall mounting.



DETERMINE DIRECTIONS

1. If indicator chevron is required, maintain chevron and remove locator template.
2. If indicator chevron is not required, remove both the chevron and locator template.

