

# AEXMS Series Manual Motor Starters

## Explosionproof, Dust-Ignitionproof, Watertight

### NEC:

Class I, Division 1 and 2, Groups C, D  
 Class II, Division 1 and 2, Groups E, F, G  
 Class III  
 NEMA 3, 3R, 4, 4X, 7CD, 9EFG

### Applications

- Explosionproof across the line manual motor starters for starting polyphase Vac motors.

### Features

- Rugged, compact enclosures supplied with Square D<sup>®</sup> or Cutler-Hammer<sup>+</sup> manual motor starters using three overloads.
- Mating surfaces are precision milled to exceed explosionproof specifications. Covers secure with stainless steel (300 Series) hex head bolts.
- O-ring gasket provides NEMA Type 4 rating.
- Four cast on mounting feet allow easy rack or individual mounting.
- Enclosures have standard conduit openings at top and bottom.
- Operating levers are positive operating and can be locked in the ON or OFF position.

### Standard Materials

- Enclosure and handle: cast copperfree (4/10 of 1%) aluminum
- Shaft, bushing and cover bolts: stainless steel (300 Series)
- Mounting hardware: stainless steel

### Standard Finishes

- Housing: two coat epoxy powder coat

### NEC Certifications and Compliances

- UL Standards: UL 508, UL 698, UL 1203
- UL Listed: E76550



CONTROLS: NEC/CEC EXPLOSIONPROOF MOTOR STARTERS



Catalog Number <sup>▲</sup>	NEMA Size	Number of Poles	Motor Starter Series	Motor Starter Model Number
AEXMS-A	0	2	Square D 2510	TB01
AEXMS-F	0	2	Cutler-Hammer B100	M0B
AEXMS-D	0	3	Square D 2510	TB02
AEXMS-J	0	3	Cutler-Hammer B100	M0C
AEXMS-B	1	2	Square D 2510	TC01
AEXMS-G	1	2	Cutler-Hammer B100	M1B
AEXMS-E	1	3	Square D 2510	TC03
AEXMS-K	1	3	Cutler-Hammer B100	M1C
AEXMS-C	1-1/2	2	Square D 2510	TC02
AEXMS-H	1-1/2	2	Cutler-Hammer B100	MDB

### Horsepower Ratings

Starter Size	Poles	Phase	Max. Horsepower Ratings					
			Volts AC			Volts DC		
			120	208/240	480/600	120	230	
0	3	3	2	3	5	—	—	
1	3	3	3	7-1/2	10	—	—	
1-1/2	2	1	3	5	—	—	—	
0	2	1	1	2	—	1	1-1/2	
1	2	1	2	3	—	1-1/2	2	

▲ Add suffix for heater. See table on next page.  
 ■ Square D is a registered trademark of Schneider Electric.  
 + Cutler-Hammer is a registered trademark of Eaton Corporation.

# AEXMS Series AC Manual Motor Starter Heater

## Explosionproof, Dust-Ignitionproof, Watertight

NEC:  
 Class I, Division 1 and 2, Groups C, D  
 Class II, Division 1 and 2, Groups E, F, G  
 Class III  
 NEMA 3, 3R, 4, 4X, 7CD, 9EFG

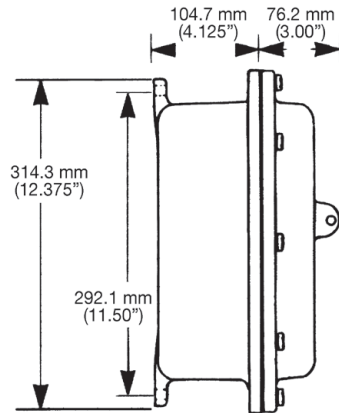
Select heater elements based on motor nameplate listed Full Load Amps (FLA). Trip rating of elements is 125% of motor minimum FLA listed for the elements. Three heaters required per starter.

### Dimensions in Millimeters (Inches)

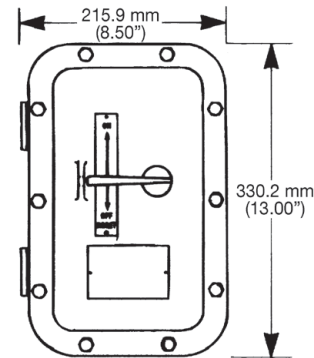
CONTROLS: NEC/CEC EXPLOSIONPROOF MOTOR STARTERS

#### Heater Table

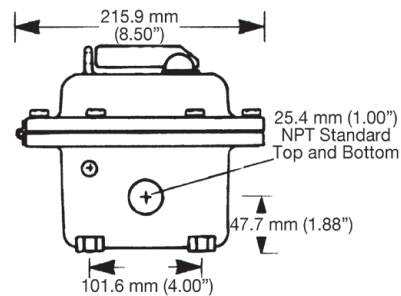
Square D <sup>■</sup>		Cutler-Hammer <sup>‡</sup>	
Motor Full Load Amps at +40 °C (+104 °F)	Add Suffix	Motor Full Load Amps at +40 °C (+104 °F)	Add Suffix
0.28 - 0.29	-B44	0.25 - 0.26	-FH03
0.30 - 0.33	-B51	0.27 - 0.29	-FH04
0.34 - 0.36	-B57	0.30 - 0.32	-FH05
0.37 - 0.44	-B63	0.33 - 0.35	-FH06
0.45 - 0.52	-B71	0.36 - 0.39	-FH07
0.53 - 0.59	-B81	0.40 - 0.44	-FH08
0.60 - 0.64	-B92	0.45 - 0.49	-FH09
0.65 - 0.71	-B103	0.50 - 0.55	-FH10
0.72 - 0.80	-B116	0.56 - 0.61	-FH11
0.81 - 0.90	-B130	0.62 - 0.68	-FH12
0.91 - 1.03	-B145	0.69 - 0.75	-FH13
1.04 - 1.14	-B167	0.76 - 0.83	-FH14
1.15 - 1.27	-B188	0.84 - 0.91	-FH15
1.28 - 1.44	-B210	0.92 - 1.00	-FH16
1.45 - 1.63	-B240	1.01 - 1.10	-FH17
1.64 - 1.79	-B265	1.11 - 1.22	-FH18
1.80 - 2.01	-B300	1.23 - 1.35	-FH19
2.02 - 2.19	-B330	1.36 - 1.50	-FH20
2.20 - 2.52	-B370	1.51 - 1.66	-FH21
2.53 - 2.95	-B415	1.67 - 1.84	-FH22
2.96 - 3.17	-B485	1.85 - 2.03	-FH23
3.18 - 3.50	-B550	2.04 - 2.23	-FH24
3.51 - 3.73	-B625	2.24 - 2.45	-FH25
3.74 - 4.22	-B690	2.46 - 2.69	-FH26
4.23 - 4.68	-B770	2.70 - 2.95	-FH27
4.69 - 4.98	-B820	2.96 - 3.23	-FH28
4.99 - 5.59	-B910	3.24 - 3.53	-FH29
5.60 - 6.43	-B102	3.54 - 3.85	-FH30
6.44 - 7.41	-B115	3.87 - 4.22	-FH31
7.42 - 8.02	-B128	4.23 - 4.61	-FH32
8.03 - 8.59	-B140	4.62 - 5.03	-FH33
8.60 - 9.52	-B155	5.04 - 5.49	-FH34
9.53 - 10.5	-B175	5.50 - 5.99	-FH35
10.6 - 11.2	-B195	6.00 - 6.53	-FH36
11.3 - 12.7	-B220	6.54 - 7.11	-FH37
12.8 - 14.3	-B250	7.12 - 7.73	-FH38
14.4 - 16.1	-B280	7.74 - 8.40	-FH39
16.2 - 17.8	-B320	8.41 - 9.12	-FH40
17.9 - 20.1	-B360	9.13 - 9.89	-FH41
20.2 - 22.6	-B400	9.90 - 1.70	-FH42
22.7 - 25.5	-B450	10.8 - 11.8	-FH43
25.6 - 26.0	-B500	11.9 - 13.0	-FH44
		13.1 - 14.0	-FH45
		14.1 - 15.0	-FH46
		15.1 - 16.1	-FH47
		16.2 - 17.3	-FH48
		17.4 - 18.6	-FH49
		18.7 - 20.0	-FH50
		20.1 - 21.5	-FH51
		21.6 - 23.2	-FH52
		23.3 - 25.0	-FH53
		25.1 - 26.8	-FH54



Side View



Cover View



Bottom View

■ Square D is a registered trademark of Schneider Electric.  
 ‡ Cutler-Hammer is a registered trademark of Eaton Corporation.