

KEMLUX III KH SERIES HAZARDOUS LOCATION



HUBBELL
Industrial Lighting

CAT.#	APPROVALS
JOB	TYPE

SPECIFICATIONS

Applications -

Designed to efficiently light corrosive and harsh applications such as chemical, petrochemical, marine, power generation, pharmaceutical or food processing plants.

Construction -

- Cover selection of rigid and flexible pendant, ceiling, wall and 25° stanchion of varying threaded NPT entries
- Modular design permits selection of cover, body, globe, guard and reflector for custom applications.
- Minimum starting temp of -25°F for PSMH and -40°F for HPS
- Copper-free (<0.4%) aluminum housing and cover with gray Lektrocote® powder polyester paint finish provides excellent corrosion resistance from most chemicals

Optics/Electrical System -

- Optic choices of impact-resistant glass globe, sym./asym. glass refractors, dome/angle fiberglass reinforced polyester reflector and 19" enclosed reflector and polycarbonate enclosed lowbay

Listings -

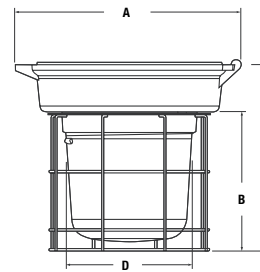
- Class I, Div. 2, Groups A,B,C,D; Class II, Div. 1 & 2, Groups E,F,G; Class III Div 1/2
- Listed to UL1598 for use in wet locations; NEMA 3, 4X, IP66 with K-G globe; 40°C ambient listed

Warranty -

- Five years from date of purchase



DIMENSIONS

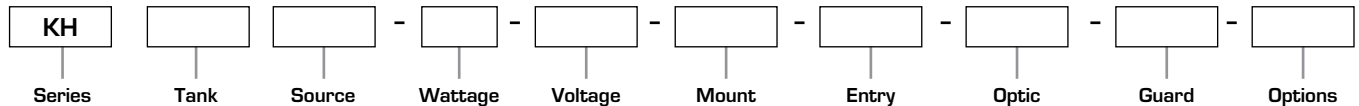


KH	A	B	C	D
	13.5"	8.38"	9.94"	7.56"



ORDERING INFORMATION

ORDERING EXAMPLE: KH-D-H040-O-A-2-GL-G-QA



SERIES

KH	Kemlux® III KH
----	----------------

TANK

A	Low wattage CFL 5"
B	Low wattage CFL 8"

SOURCE

F	Compact Fluorescent
---	---------------------

WATTAGE

13	1 X 13
18	1 X 18
26S	1 X 26
32	1 X 32
42	1 x 42
26	2 x 13
36	2 x 18
52	2 x 26
64	2 x 32
84	2 x 42

VOLTAGE (@ 60 HZ)

30	Universal 120-277
----	-------------------

MOUNT

A	Pendant
B	Wall bracket
C	Cone top
D	Stanchion 25°

F	Flex pendant
N1	None (ordered separately)
S	Stanchion straight 90°
X	Ceiling

ENTRY (MOUNTS AVAILABLE)

2	3/4" NPT (A, B, C, X)
3	1" NPT (A, B, C, X)
4	1 1/4" NPT (D, S)
5	1 1/2" NPT (D, S)
6	3/4" NPT 5-hub [X]
7	1" NPT 5-hub [X]
N1	None (ordered separately)

OPTICS

GL	Globe
EP6	Polycarbonate shielded enclosed reflector (KHD & KHE only)
ER	Enclosed reflector (KHD & KHE only)
R1	Type I glass refractor
R3	Type III glass refractor (KHD only)
R5	Type V glass refractor
S25	Type II 12" spin top refractor
S85	Type V 8" spin top refractor (KHC only)
S55	Type V 12" spin top refractor
P55	Type V Plastic spin top refractor (KHC only)
FG2	Tuffskin® coated globe

TG3	Teflon® coated globe
T13	Teflon® coated globe Type I glass refractor
T23	Teflon® coated globe Type II 12" spin-top refractor
T33	Teflon® coated globe Type III glass refractor (KHD only)
T53	Teflon® coated globe Type V glass refractor
TV3,5	Teflon® coated globe Type V 12" spin-top refractor

GUARD

G	Globe guard
N5	No guard

OPTIONS

AS	Assembled fixture with standard lamp
AD	Assembled fixture with
DAT	Dual-Arc-Tube lamp (250, 400W HPS only)
BP	Ballast protector (250-400w HPS only)
CS	Component pack with standard lamp
CP	Component pack - no lamp
F17	Fusing - single 120V 60Hz
F27	Fusing - double 208V 60Hz
F37	Fusing - double, 240V 60Hz

F47	Fusing - single, 277V 60Hz
F57	Fusing - double, 480V 60Hz
F67	Fusing - single, 347V 60Hz
F77	Fusing - double, 220V 60Hz
F87	Fusing - double, 230V 50Hz
NR4	Restricted breathing
P18, 9	Photo cell factory 120V
P28, 9	Photo cell factory 208-277V (must specify voltage on order)
P38, 9	Photo cell factory 347V
Q110	Quick disconnect wired at ballast to 120V
Q210	Quick disconnect wired at ballast to 208V
Q310	Quick disconnect wired at ballast to 240V
Q410	Quick disconnect wired at ballast to 277V
Q510	Quick disconnect wired at ballast to 480V
Q610	Quick disconnect wired at ballast to 347V
Q710	Quick disconnect wired at ballast to 220V
Q810	Quick disconnect wired at ballast to 230V
TB	Terminal blocks

ORDERING INFORMATION ACCESSORIES

KH ACCESSORIES

(order as separate part #)

Catalog Number	Description
K-SC 9	9' Safety chain (large housing only)

SUSPENSION DEVICES

(order as separate part #)

Catalog Number	Tank	Description
KAG17SC	KSC	VMG17/VMR17X Support 18" stainless steel aircraft cable secures guard to tank to hold globe in guard (for lamp changing)
KGR25SCR	KSD	VMG25/VMR25X Support 24" stainless steel aircraft cable and ring for globes and refractors for lamp changing; ring clamps to special ears on optic cable, twists to attach or detach from housing

PHOTOCONTROL FOR STANDARD AND HAZARDOUS CLASS I DIVISION 21

Catalog Number	Volts	Frequency	Watts
HUB2PC120	120VAC	50/60 Hz	400
HUB2PC277²	208-277VAC	50/60 Hz	400
HUB2PC347	347VAC	50/60 Hz	400

1 Photocontrol cells for Class I Division 2 only 2 Marked 220-277V, suitable for 208V
NOTE: Patent Pending

MOUNTING SPLCE BOXES

HUB SIZE	PENDANT	FLEXIBLE PENDANT	CEILING 4-HUB	CEILING 5-HUB	WALL	CONE TOP	25° STANCHION	90° STANCHION
ø	KHA2B	KHF2B	KHX2B	KHX6B	KHB2B	KHC2B		
1"	KHA3B	KHF3B	KHX3B	KHX7B	KHB3B	KHC3B		
1 1/4"							KHD4B	KHS4B
1 1/2"							KHD5B	KHS5B
M-20			KHX8B	KHX9B				

BALLAST TANKS ONLY 120VAC THROUGH 277VAC 50/60HZ

5 1/2" OPTICS	7 3/4" OPTICS	WATTS	LAMPS INCLUDED
KHAF1330	KHBF1330	13	1x13
KHAF1830	KHBF1830	18	1x18
KHAF26S30	KHBF26S30	26	1x26
KHAF3230	KHBF3230	32	1x32
KHAF4230	KHBF4230	42	1x42
KHAF2630	KHBF2630	26	2x13
KHAF3630	KHBF3630	36	2x18
KHAF5230	KHBF5230	52	2x26
KHAF6430	KHBF6430	64	2x32
KHAF8430	KHBF8430	84	2x42

OPTICS



KG17

KR175
KR175

KZRG1550

KRZG2550
KRZG2520

KG25

KR255
KR253
KR251

KER40

KRZG4050
KRZG4020

KEP40

GUARDS



KHAG17¹

KRWG8³

KRWG³

KAG25S²

KERG²

KRWG³

WG-23

REFLECTORS



KPSD40
Standard Dome
Fiberglass White
Reflector Dia: 16"

KPA40
Angle
Fiberglass White
Reflector Dia: 16"

HRD400
Deep Aluminum
White
Reflector Dia: 21"

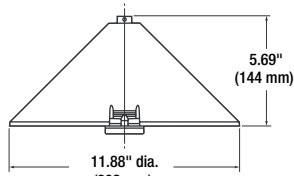
HRD400ALZ
Deep Aluminum
Anodized Finish
Reflector Dia: 21"

KAGBC
Bottom Enclosure for
KAG25S/SAG40S

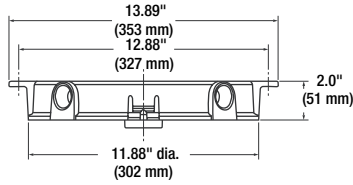
1 Standard material: copper-free aluminum painted
2 Standard material: 316 stainless steel
3 Standard material: stainless steel

DIMENSIONS

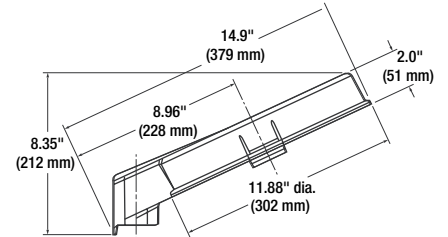
MOUNTING ADAPTERS



Cone Mount

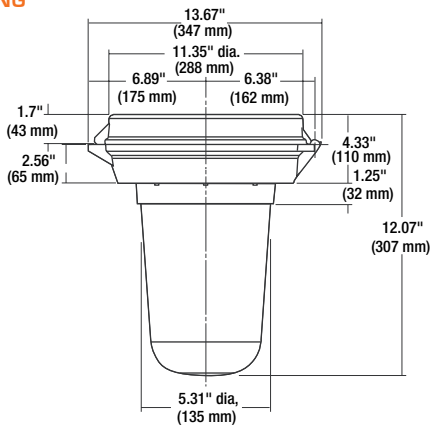


Ceiling Mount

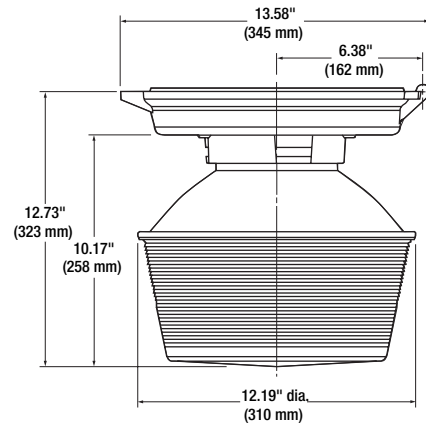


Stanchion (25°) Mount

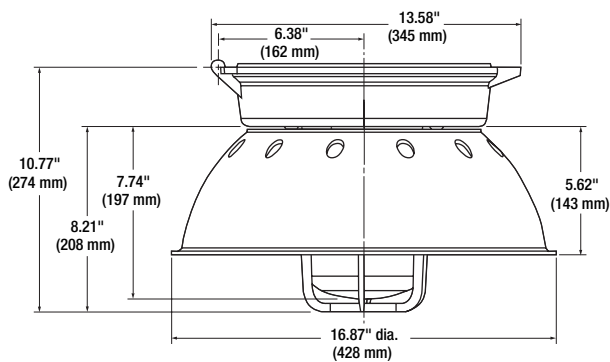
KHA HOUSING



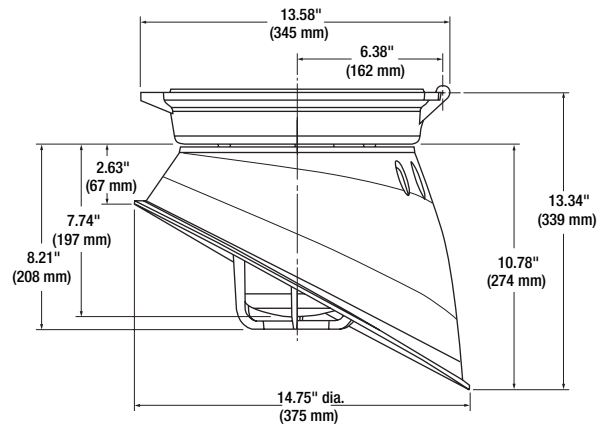
**KHA Ballast Tank
KG40 Globe**



**KHA Ballast Tank
KZRG 12" Spun Refractor**

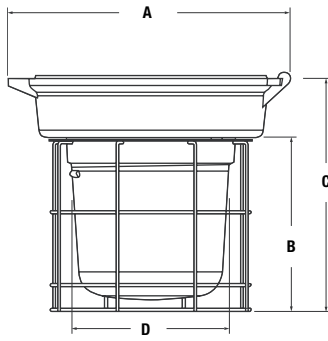


**KHA Ballast Tank
KG17 5 1/2" Optics Globe
KPSD40 Dome Reflector**

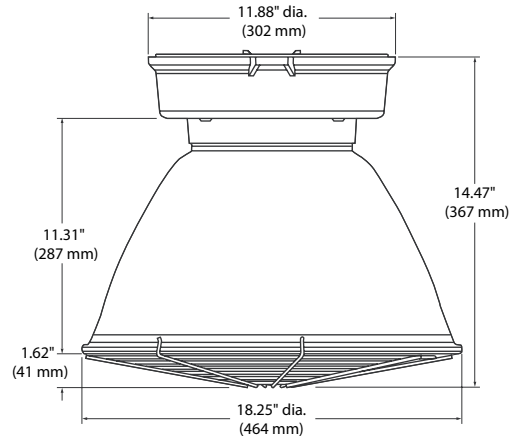


**KHA Ballast Tank
KPA40 Fiberglass White Reflector**

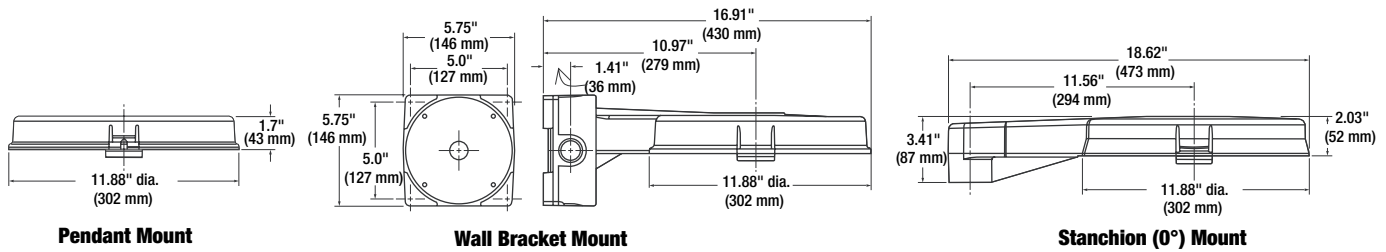
KHB HOUSING



KXB Ballast Tank
KG25 7³/₄" Optics Globe
KAG25S Wire Guard



KXB Ballast Tank
KER40 Enclosed Reflector
KERG Guard



Pendant Mount

Wall Bracket Mount

Stanchion (0°) Mount

VBF/VBQ BALLAST DATA

LAMP SOURCE	LAMP WATTS	VOLTAGE 60HZ	OPERATING (AMPS)	BALLAST CIRCUIT	REGULATION	MIN. START
Quad-Pin Fluorescent	13 Watt [1X13]	120-277	.144 [120]/.067 [277]	HPF	Electronic	5°F [-20°C]
	18 Watt [1X18]		.158 [120]/.073 [277]			5°F [-15°C]
	26 Watt [1X26]		.24 [120]/.11 [277]			-4°F [-20°C] Watt
	32 Watt [1X32]		.31 [120]/.13 [277]			
	42 Watt [1X42]		.38 [120]/.18 [277]			
	26 Watt [2X13]		.288 [120]/.134 [277]			5°F [-15°C]
	36 Watt [2X18]		.316 [120]/.146 [277]			
	52 Watt [2X26]		.48 [120]/.11 [277]			-4°F [-20°C]
	64 Watt [2X32]		.62 [120]/.26 [277]			
	84 Watt [2X42]		.76 [120]/.36 [277]			

KEMLUXIII KH SERIES - HAZARDOUS LOCATION

KHAF/KHBF SERIES THERMAL PERFORMANCE DATA
CLASS I DIVISION 2 GROUPS A,B,C,D/ZONE 2 GROUPS IIC,IIA,IIA/CLASS II E,F,G/CLASS III

CATALOG NUMBER *	LAMP WATTS	AMBIENT DEGREES C	CLASS I DIVISION 2		CLASS I ZONE 2 NR II		CLASS II DIVISION 1 (3)		SUPPLY WIRE
			GLOBE OR REFRACTOR	GLOBE + REFLECTOR	GLOBE OR REFRACTOR	GLOBE + REFLECTOR	GLOBE OR REFRACTOR	GLOBE + REFLECTOR	TEMP. MIN. °C
KHAF1330	13 (1X13)	40	T3C	T3C	T6	T6	T3C (EFG)	T3C (EFG)	75
		55	T3C	T3C	T6	T6	T3C (EFG)	T3C (EFG)	75
KHAF1830	18 (1X18)	40	T3C	T3C	T6	T6	T3C (EFG)	T3C (EFG)	75
		55	T3C	T3C	T6	T6	T3C (EFG)	T3C (EFG)	75
KHAF26S30	26 (1X26)	40	T3A	T3A	T6	T6	T3C (EFG)	T3C (EFG)	75
		55	T3A	T3A	T6	T6	T3C (EFG)	T3C (EFG)	75
KHAF3230	32 (1X32)	40	T3A	T3A	T6	T6	T3C (EFG)	T3C (EFG)	75
		55	T3A	T3A	T6	T6	T3C (EFG)	T3C (EFG)	75
KHAF4230	42 (1X42)	40	T3A	T3A	T6	T6	T3C (EFG)	T3C (EFG)	75
		55	T3A	T3A	T6	T6	T3C (EFG)	T3C (EFG)	75
KHAF2630	26 (2X13)	40	T3A	T3A	T6	T6	T3C (EFG)	T3C (EFG)	60
		55	T3A	T3A	T5	T5	T3C (EFG)	T3C (EFG)	75
KHAF3630	36 (2X18)	40	T3A	T3A	T6	T6	T3C (EFG)	T3C (EFG)	60
		55	T3A	T3A	T6	T6	T3C (EFG)	T3C (EFG)	75
KHAF5230	52 (2X26)	40	T3	T2D	T6	T5	T3C (EFG)	T3C (EFG)	75
		55	T2D	T2D	T4	T4	T3C (EFG)	T3C (EFG)	75
KHAF6430	64 (2X32)	40	T3	T2D	T6	T5	T3C (EFG)	T3C (EFG)	75
		55	T2D	T2D	T4	T4	T3C (EFG)	T3C (EFG)	75
KHAF8430	84 (2X42)	40	T2B	T2B	T4	T4	T3C (EFG)	T3C (EFG)	75
		55	XXX	XXX	XXX	XXX	XXX	XXX	XXX
KHBF1330	13 (1X13)	40	T3C	T3C	T6	T6	T4A (EFG)	T4A (EFG)	60
		55	T3C	T3C	T6	T6	T4A (EFG)	T4A (EFG)	75
KHBF1830	18 (1X18)	40	T3C	T3C	T6	T6	T4A (EFG)	T4A (EFG)	60
		55	T3C	T3C	T6	T6	T4A (EFG)	T4A (EFG)	75
KHBF26S30	26 (1X26)	40	T3A	T3A	T6	T6	T4A (EFG)	T4A (EFG)	60
		55	T3A	T3A	T6	T6	T4A (EFG)	T4A (EFG)	75
KHBF3230	32 (1X32)	40	T3A	T3A	T6	T6	T4A (EFG)	T4A (EFG)	60
		55	T3A	T3A	T6	T6	T4A (EFG)	T4A (EFG)	75
KHBF4230	42 (1X42)	40	T3A	T3A	T6	T6	T4A (EFG)	T4A (EFG)	60
		55	T3A	T3A	T6	T6	T4A (EFG)	T4A (EFG)	75
KHBF2630	26 (2X13)	40	T3A	T3A	T6	T6	T4A (EFG)	T4A (EFG)	60
		55	T3A	T3A	T6	T6	T4A (EFG)	T4A (EFG)	75
KHBF3630	36 (2X18)	40	T3A	T3A	T6	T6	T4A (EFG)	T4A (EFG)	60
		55	T3A	T3A	T6	T6	T4A (EFG)	T4A (EFG)	75
KHBF5230	52 (2X26)	40	T3	T3	T6	T6	T4A (EFG)	T4A (EFG)	60
		55	T3	T3	T6	T6	T4A (EFG)	T4A (EFG)	75
KHBF6430	64 (2X32)	40	T3	T3	T6	T6	T4A (EFG)	T4A (EFG)	60
		55	T3	T3	T6	T6	T4A (EFG)	T4A (EFG)	75
KHAF8430	84 (2X42)	40	T2C	T2C	T6	T6	T4A (EFG)	T4A (EFG)	75
		55	XXX	XXX	XXX	XXX	XXX	XXX	XXX-

T-CODE & TEMPERATURE RANGE CONVERSION TABLE °C															
T1	350	325	T2	T2A	T2B	T2C	T2D	T3	T3A	T3B	T3C	T4	T4A	T5	T6
351-450	326-350	301-325	281-300	261-280	231-260	216-230	201-215	181-200	166-180	161-165	136-160	121-135	101-120	86-100	<=85

* K H A F models use 5-1/2" CertiLite V VM optics; K H B F models use 7-3/4" VM optics.