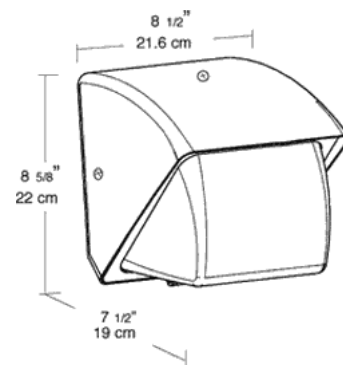


# WP1GSN100

The same Wallpack as the WP1, but with prismatic glass lens to eliminate yellowing. Lamp supplied.

Color: Bronze

Weight: 8.8 lbs



## Lamp Info

Type: ED17  
Watts: 100W  
Shape/Size: N/A  
Base: N/A  
ANSI: N/A  
Hours: 24,000  
Lamp Lumens: 9,500  
Efficacy: 83 LPW

## Ballast Info

Type: R-NPF 120V  
120V: 3.1/2.1A  
208V: N/A  
240V: N/A  
277V: N/A  
Input Watts: 115W  
Efficiency: 87%

## Technical Specifications

### UL Listing:

Suitable for wet locations. HID fixtures can be wired with 90°C supply wiring if supply wires are routed 3" away from the ballast.

### Housing:

Die cast aluminum, 1/2" NPS tapped top, both sides and back for conduit or photocontrol. Hinged refractor. Continuous one piece silicone rubber gasket.

### Reflector:

Semi-Specular anodized aluminum, removable for installation. Symmetrical light pattern maximizes distance between fixtures.

### Finish:

Our environmentally friendly polyester powder coatings are formulated for high-durability and long-lasting color, and contains no VOC or toxic heavy metals.

### Conduit Openings:

Top, side and back.

### Template:

Drilling template for easy wall box mounting.

### Patents:

Pat. D440,683.

### Country of Origin:

Designed by RAB in New Jersey and assembled in the USA by RAB's IBEW Local 3 workers.

### Buy American Act Compliant:

This product is a COTS item manufactured in the United States, and is compliant with the Buy American Act.

### Recovery Act (ARRA) Compliant:

This product complies with the 52.225-21 "Required Use of American Iron, Steel, and Manufactured Goods-- Buy American Act-- Construction Materials (October 2010).

### Trade Agreements Act Compliant:

This product is a COTS item manufactured in the United States, and is compliant with the Trade Agreements Act.

### GSA Schedule:

Suitable in accordance with FAR Subpart 25.4.