



Wiremold

CableSmart™ Series Nonmetallic Raceway

Dual-Channel 40N2 Series Nonmetallic Raceway System



Wiremold CableSmart 40N2 Series Raceway is a large capacity nonmetallic raceway system that offers separate channels for power and communications cabling within a single cover.

With its tamper-resistant design, the 40N2 Series Raceway is an ideal solution for schools, office settings, or any installation where greater security is a requirement.

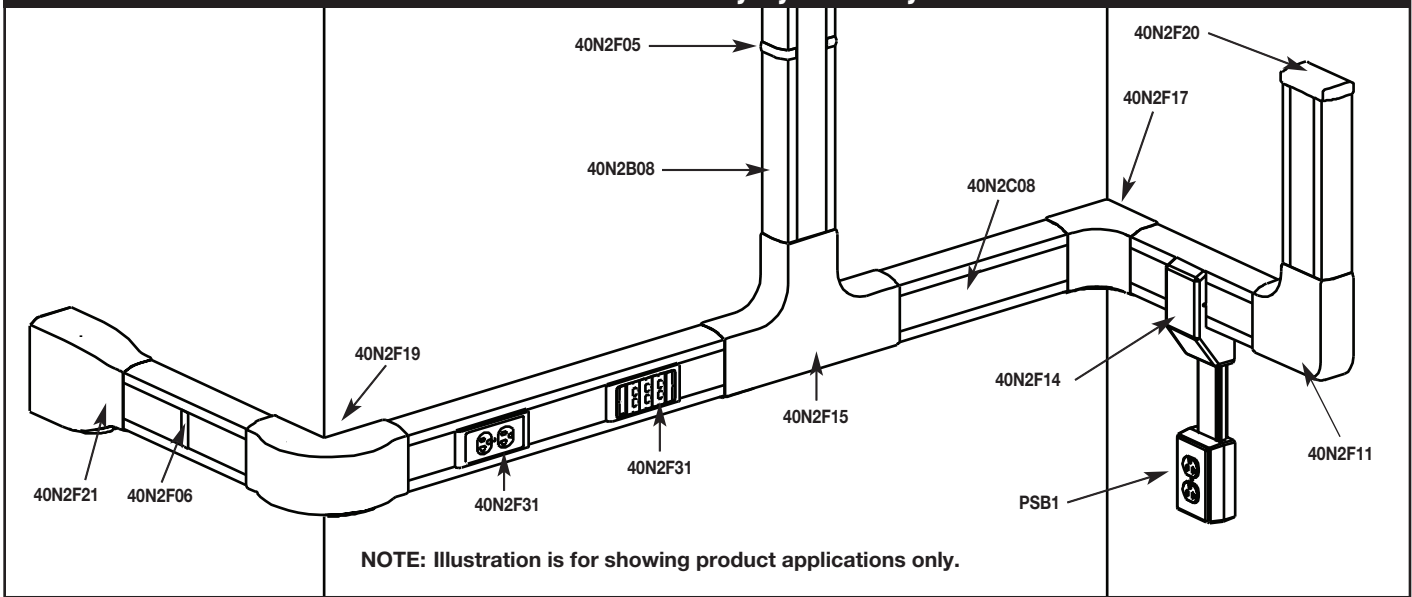


40N2 Series Raceway featuring
40N2F31 Device Bracket.

FEATURES & BENEFITS

- **Extremely tamper-resistant.** Perfect for school applications or anywhere additional security is a priority.
- **2" [51mm] bend radius compliant fittings.** These fittings snap onto overlap raceway base and cover for an aesthetic installation. Fittings are cULus verified for a 2" [51mm] bend radius and exceed the recommendations of TIA/EIA-569. They provide cable protection in lay-in and pull-through cable installations.
- **Available prewired.** Manufactured to job site lengths, raceway comes completely prewired, ready to install. Jobs can be packaged by area, floor, or building and shipped per job site requirements.
- **Electrical device identification for prewired jobs.** Eliminates guesswork and circuit tracking to speed additions and renovations.
- **Pre-punched mounting holes.** Faster and easier installation.
- **Ivory and white finish.** Blends with any decor. Paintable using latex paint.
- **New transition fitting options.** Used to transition to PN03, PN05 and PN10 Series Latching Raceways.
- **Made of PVC material.** Lightweight and easy to cut.
- **High capacity device box options.** 40N2F55 C-Box allows both power and data devices to be installed in the power channel, greatly increasing cable fill capacity for data cabling.
- **Corner drop feed.** Provides solution for feeding horizontal runs of raceway.
- **Datacom connectivity options.** Accepts industry standard and proprietary devices from a wide range of manufacturers to provide a seamless and aesthetically pleasing interface for voice, data, audio, and video applications at the point of use.
- **UL and cUL Listed component raceways.** File E90378 Guide RJTX, Fittings: File E90377 Guide RJYT. Meets Article 388 of NEC and meets Section 12-600 of CEC.

40N2 Series Raceway System Layout



40N2 Series Raceway Wire Fill Capacities

40N2 RACEWAY WIRE FILL CAPACITIES FOR POWER

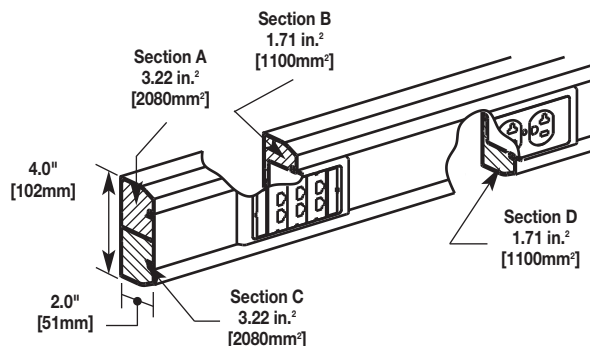
	WIRE SIZE THHN/THWN	O.D.		NUMBER OF CONDUCTORS		MAX. NUMBER OF CONDUCTORS BOTH COMPARTMENTS
		Inches	[mm]	Comp. A	Comp. B	
Power	14 AWG	0.111	[2.8]	20	20	28
Wiring	12 AWG	0.130	[3.3]	18	18	36
With or	10 AWG	0.164	[4.2]	17	17	24
Without	8 AWG	0.216	[5.5]	15	15	20
Devices	6 AWG	0.254	[6.5]	5	5	10

40N2 RACEWAY WIRE FILL CAPACITIES FOR DATA/COMMUNICATIONS

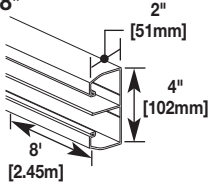
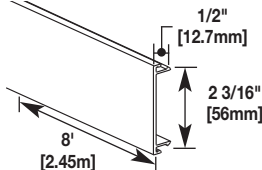
CABLE TYPE	CATEGORY/ DESIGNATION	O.D.		Section C 40% Fill*	Section D 40% Fill*
		Inches	[mm]		
UNSHIELDED TWISTED PAIR	4-pair, 24 AWG Cat 3	0.190	[4.8]	45	24
	4-pair, 24 AWG Cat 5e	0.210	[5.3]	37	19
	4-pair, 24 AWG Cat 6	0.250	[6.3]	26	13
	4-pair, 24 AWG Cat 6a**	0.354	[9.0]	13	6
	25-pair, 24 AWG	0.410	[10.4]	9	5
COAXIAL	RG6/U	0.270	[6.9]	22	11
FIBER	ZipCord	0.118 x 0.236	[3 x 6]	103	55
	Round 4 Strand	0.187	[4.8]	46	24
	Round 6 Strand	0.256	[6.5]	25	13

* 40% cable fill is the maximum designed cable fill based on TIA/EIA 569-A.

** Category 6 augmented (6a) cable for 10 gigabit ethernet – max allowed cable diameter per addenda No. 11 ANSI TIA/EIA 568-B.2.

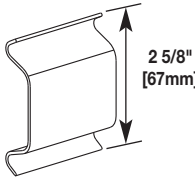
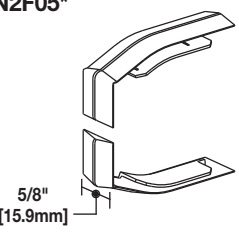
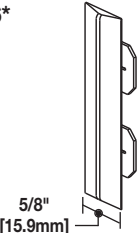
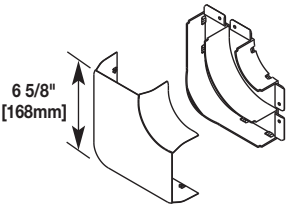
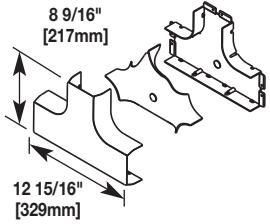
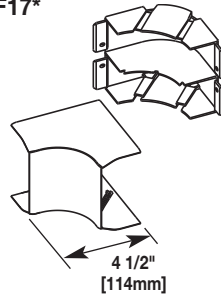
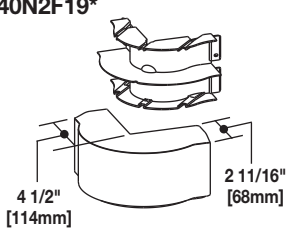
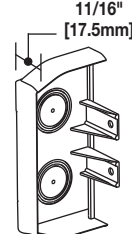


40N2 Series Raceway Profile

Catalog No./Item	Description/Specifications
40N2B08* 	Two-Compartment Base – Two equal compartments. Use with 40N2 Cover only. 40N2B08 available in 8' [2.4m] lengths with pre-punched mounting holes.
40N2C08* 	Full Width Cover – Use with 40N2B08 Base. 40N2C08 available in 8' [2.4m] lengths.

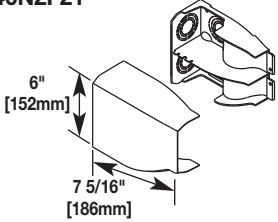
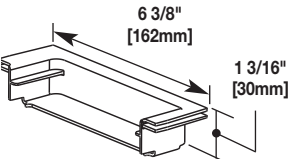
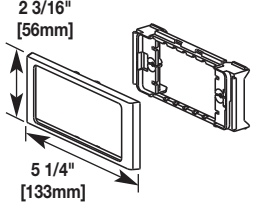
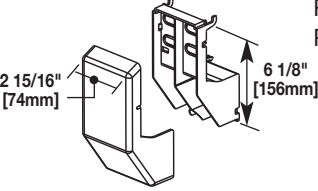
*Add "V" suffix for Ivory finish or "WH" suffix for White finish.

40N2 Series Raceway Fittings

Catalog No./Item	Description/Specifications
40N2FWC 	Wire Clip – Used to retain cables in raceway during installation.
40N2F05* 	Base Clip – Covers seam where two lengths of 40N2B08 Raceway Base come together.
40N2F06* 	Cover Clip – Covers seam where lengths of 40N2C08 Cover come together.
40N2F11* 	2" [51mm] Bend Radius Full Capacity Flat Elbow – 90° flat corner with integral dividers to provide 2" [51mm] full capacity bend radius control for UTP and fiber optic installations. Ideal for lay-in or pull-through installations.
40N2F15* 	2" [51mm] Bend Radius Full Capacity Tee – Branches raceway at right angles. Provides separation of services and 2" [51mm] full capacity bend radius control for UTP and fiber optic installations.
40N2F17* 	2" [51mm] Bend Radius Full Capacity Internal Elbow – 90° internal corner with integral dividers. Provides 2" [51mm] full capacity bend radius control for UTP and fiber optic installations. Ideal for lay-in or pull-through installations.
40N2F19* 	2" [51mm] Bend Radius Full Capacity External Elbow – 90° external corner with integral dividers. Provides 2" [51mm] full capacity bend radius for UTP and fiber optic installations. Ideal for lay-in or pull-through applications.
40N2F20* 	Blank End Fitting – Closes off runs of CableSmart 40N2 Series Raceway. Can be used to feed raceway using 1/2" or 3/4" trade size conduit. Holes for conduit must be drilled.

*Add "V" suffix for Ivory finish or "WH" suffix for White finish.

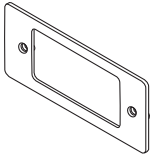
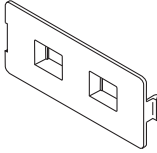
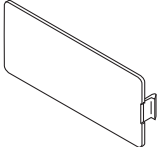
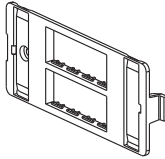
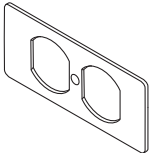
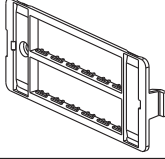
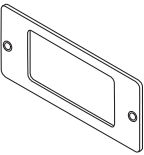
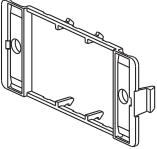
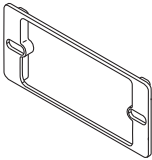
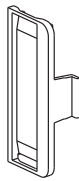
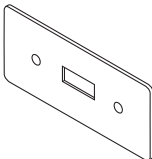
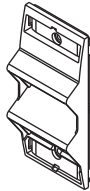
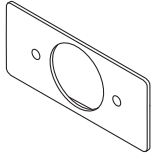
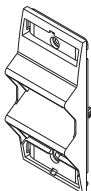
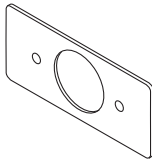
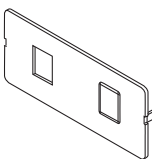
40N2 Series Raceway Fittings

Catalog No./Item	Description/Specifications	Catalog No./Item	Description/Specifications
40N2F21* 	Divided Entrance End Fitting – Divided fitting to feed 40N2 Series Raceway. Includes 3/4", 1", 1 1/4", and 1 1/2" trade size KOs on back and top.	40N2F55 	High Capacity Device Box – Required for mounting power or datacom devices into a divided raceway application. Use one per device location.
40N2F31*  <p>NOTE: CM-EPLA End Plates are required when using Wiremold communication modules and Pass & Seymour inserts. S2-EPL End Plates are required when using Ortronics Series II inserts. To mount Tracjack inserts, use 5507-4TJ or 5507-6TJ Faceplates.</p>	Twin Cover Device Bracket – Use for power or communications devices in a single compartment. Accepts 5507 Series Faceplates. For use with: Ortronics TracJack Individual Jack System, Ortronics Series II Front-Loading, Module System, Pass & Seymour Activate Series Front-Loading Inserts, and Wiremold CM2 Series Open System Communication Modules.	40N2F74* 	Divided Transition Fitting – Makes transition from 40N2 Series Raceway to PN03, PN05, and PN10 Series Raceways.

*Add "V" suffix for Ivory finish or "WH" suffix for White finish.

TRANSITION FITTINGS TO EXISTING WIRING OR OTHER WIREMOLD RACEWAYS		
CONNECTION REQUIRED		CAT. NO.
FROM	TO	
1/2" or 3/4" trade size conduit or armored cable	40N2	40N2F20
3/4", 1", 1 1/4" & 1 1/2" trade size conduit or armored cable	40N2	40N2F21
40N2 Series Raceway	PN03, PN05, PN10, PN20	40N2F74

5507 Series Faceplates

Catalog No./Item	Description/Specifications	Catalog No./Item	Description/Specifications
5507AD* 	Modular Furniture Adapter – Mounts Activate modular furniture bezels and other modular furniture adapters. Not for use with rectangular (decorator) style devices.	5507FRJ* 	Flush Dual RJ11/RJ45 Faceplate – Same as 5507RJ except the connectors are recessed to provide a flush installation.
5507B* 	Blank Faceplate – Covers unused compartments in device brackets.	5507-4TJ* 	Ortronics® Faceplate – Mounts Ortronics datacom inserts. Accepts four Ortronics TracJack Devices.
5507D* 	Duplex Faceplate – Covers duplex style devices. Accepts 106 Frame.	5507-6TJ* 	Ortronics® Faceplate – Mounts Ortronics datacom inserts. Accepts six Ortronics TracJack Devices.
5507R* 	Rectangular Faceplate – Covers rectangular style devices.	CM-EPLA* 	End Plates – Includes two outlet identification labels with clear covers and two matching screw covers. Required for mounting Pass & Seymour Activate and Wiremold CM2 Series Open System communication modules into 40N2 Series device brackets.
5507S* 	Rectangular Spacer – Mounts commercial device plates. Installs between the device bracket and the device.	S2-EPL* 	End Plates – Includes two outlet identification labels with clear covers and two matching screw covers. Required for mounting Ortronics Series II modules into 40N2 Series device brackets.
5507SW* 	Switch Faceplate – Covers standard toggle switches.	CM-ARA* 	Angled Raceway Adapter – For use with multi-channel raceway device brackets and WallSource device mounting brackets. Angled exit provides additional mounting depth required for A/V connections as well as ensuring the required bend radius for UTP and fiber optic cabling. Holds two CM2 Series modules or two Pass & Seymour® 2A inserts. Fits 5507 Series Faceplate opening.
5507T1* 	Single Receptacle Faceplate – Covers single receptacles – 1.59" [40.4mm] diameter.	ARA-S2* 	Angled Raceway Adapter – For use with multi-channel raceway device brackets and WallSource device mounting brackets. Angled exit provides additional mounting depth required for A/V connections as well as ensuring the required bend radius for UTP and fiber optic cabling. Holds two Ortronics® Series II modules. Fits 5507 Series Faceplate opening.
5507T2* 	Single Receptacle Faceplate – Covers single receptacles – 1.41" [35.8mm] diameter.		
5507RJ* 	Dual RJ11/RJ45 Connector Faceplate – Mounts one or two RJ keystone type connectors – has one opening and a KO for the other.		

NOTE: All face plates have a standard measurement of 4 1/4" x 1 7/8" [108mm x 34mm].

* Add "V" suffix for Ivory finish or "WH" suffix for White finish.

DATACOM CONNECTIVITY OPTIONS

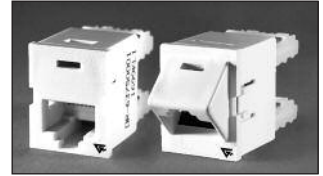
Now you have a wide range of options for providing datacom connectivity into Wiremold/Legrand Pathways. They are:

- **Ortronics® TracJack® and Series II Modular Connectivity Solutions**
- **Pass & Seymour Activate™ Modular Inserts**
- **Open System Communication Modules**

Ortronics® Connectivity

TracJack® Individual Jack System

- Front-loading, snap-in design supports future moves adds and changes
- Inserts for voice, data, audio, and video
- Available Category 3, 5e, 6, USOC 6-position, and other media
- Flat or angled 45° exit configurations
- Choice of 13 colors and color matched to Wiremold Systems
- Universal T568A/B wiring format



Series II Front-Loading, Module System

- Module design features easy snap-in front-loading design
- Linear 110 punch down format for easy termination
- Inserts for voice, data, audio, and video
- Available Category 3, 5e, 6, USOC 6-position, and other media
- Available in flat or angled 45° exit configurations
- Color matched to Wiremold Systems

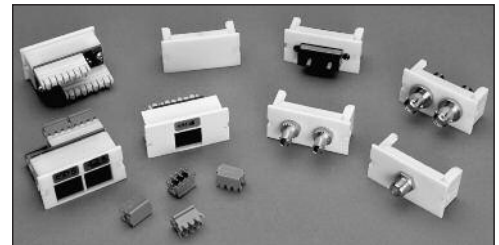


For detailed product selection refer to the **Ortronics Catalog** or visit www.ortronics.com.

Pass & Seymour Legrand Network Wiring

Activate™ Series Front-Loading Inserts

- Modular inserts for voice, data, audio and video applications
- Front-load, snap-in design
- Color and texture matched to Wiremold Systems
- Available Category 3, 5e, 6, as well as 6-position USOC
- Universal T568A/B wiring format

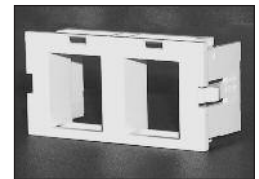


For detailed product selection refer to the **Pass & Seymour Network Wiring Catalog** or visit www.passandseymour.com.

Open Connectivity Solutions

Wiremold Open System Communications Modules

- Accommodate a wide range of manufacturers' communications outlets including keystone jacks, as well as proprietary solutions from Avaya (Systimax) and NORDX
- Modules insert into a wide range of Wiremold Systems
- Pre-punched faceplates accept common communication devices



NOTE: For more information on integrating connectivity into Wiremold Cable Management Systems contact the Wiremold Applications Engineering Team or your local Wiremold Sales Representative.



Wiremold

Wiremold/Legrand

U.S. and International:

60 Woodlawn Street • West Hartford, CT 06110

1-800-621-0049 • FAX 860-232-2062 • Outside U.S. 860-233-6251

Canada:

570 Applewood Crescent • Vaughan, Ontario L4K 4B4

1-800-723-5175 • FAX 905-738-9721

