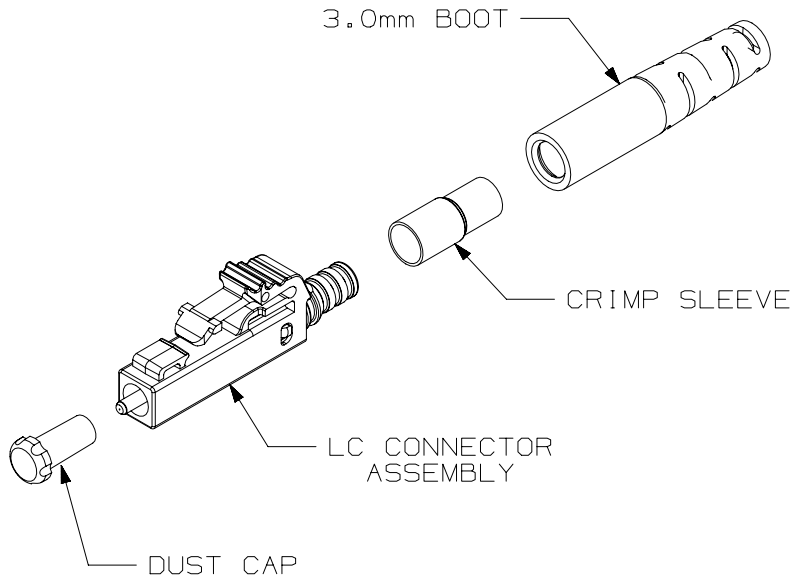


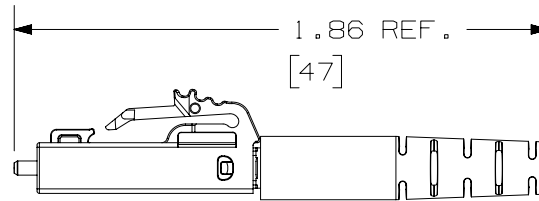
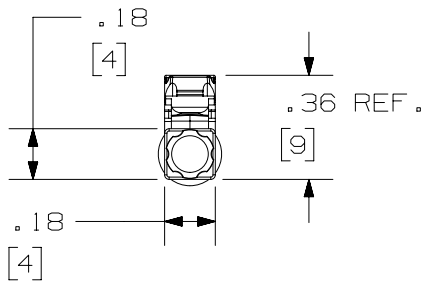
THIS COPY IS PROVIDED ON A RESTRICTED BASIS AND IS NOT TO BE USED IN ANY WAY DETRIMENTAL TO THE INTERESTS OF PANDUIT CORP.



PANDUIT PART NUMBER	TYPE	FOR USE WITH
FLCSS3.0BU	SINGLEMODE	9/125um FIBER
FLCSM3.0BL	MULTIMODE	50/125um FIBER
FLCSM3.0EI	MULTIMODE	62.5/125um FIBER

NOTES:

- SEE CATALOG FOR ADDITIONAL PART NUMBER SUFFIXES TO INDICATE COLOR AND/OR PACKAGE QUANTITY.
- ACCEPTS 3.0mm 9/125um SINGLEMODE, 50/125um MULTIMODE OR 62.5/125um MULTIMODE GLASS OPTICAL FIBER.
- FULLY COMPLIES WITH THE FIBER OPTIC CONNECTOR PERFORMANCE REQUIREMENTS AS SPECIFIED BY TIA/EIA-568-B.3.
- MATERIAL:
 BODY/HARDWARE: PLASTIC
 BOOT: THERMOPLASTIC RUBBER
 FERRULE: ZIRCONIA CERAMIC
- DIMENSIONS IN BRACKETS ARE METRIC [mm].
- WEIGHT PER 10 PIECES: .037 lb [16.7g].



PART NUMBER		FLCSS3.0**	
TITLE			
FIBER OPTIC SINGLEMODE/MULTIMODE SIMPLEX LC CONNECTOR WITH 3.0mm BOOT		CUSTOMER DRAWING	
ITEM REVISION NAME		M01371ZU/01	
DATASET FILE NAME		M01371ZU_DC/01B	
UNLESS OTHERWISE SPECIFIED, DIMENSIONAL TOLERANCES ARE: IN [mm]		MATERIAL:	
.X ±		.XXX ±	
.XX ±		ANGLES ±	
DRAWN BY		SCALE	
MC		NONE	
DATE		SHT 1 OF 1	
9/17/07		A	
CHK		DRAWING NUMBER:	
JDK		01371-51	
THIRD ANGLE PROJECTION		SIZE	
A		A	

REV	DATE	BY	CHK	APR	DESCRIPTION	ECN
2	12/15/15	JSP	WJM	JGSW	A. UPDATED DRAWING TITLE BLOCK.	01371-51

D10100DA/14