

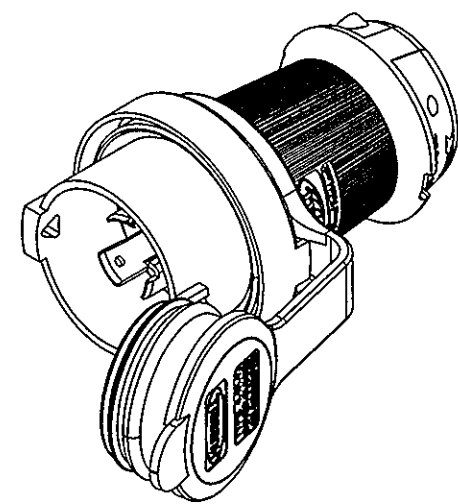
# M-7318

# 7

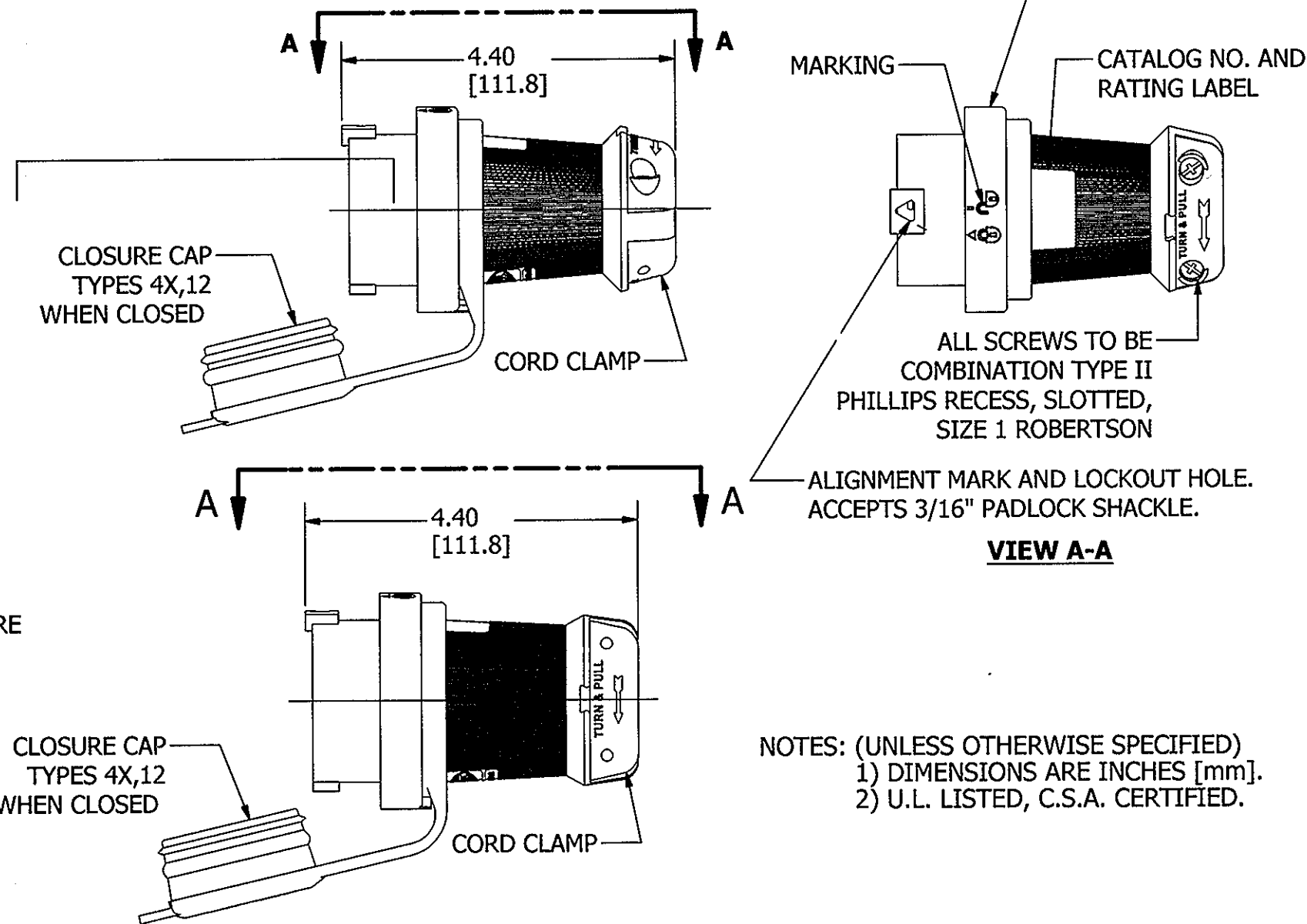
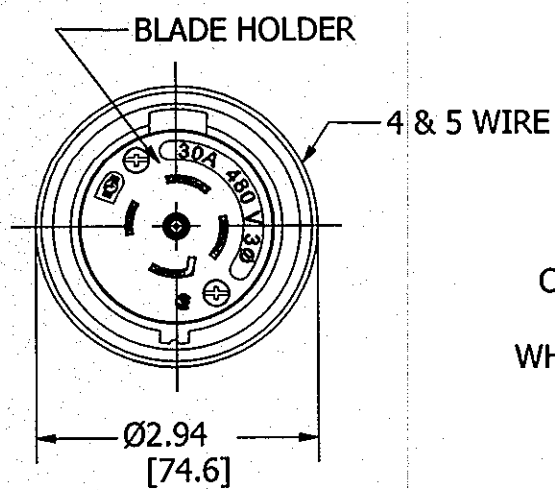
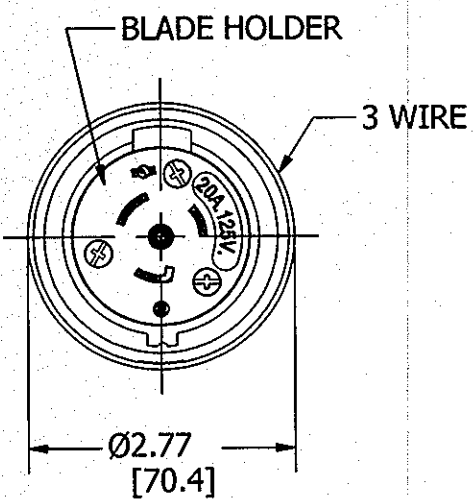
	PLUG <sup>1</sup>	CONFIGURATION RATING	MATING CONNECTOR <sup>2</sup>	MATING RECEPTACLE <sup>2</sup>	MATING NEMA CONNECTOR <sup>3</sup>		IEC COLOR CODE
	CATALOG #		CATALOG #	CATALOG #	NEMA #	HUBBELL #	
3 WIRE	HBL2311SW	20A 125V	HBL2313SW	HBL2310SW	L5-20R	HBL2313	YELLOW
	HBL2321SW	20A 250V	HBL2323SW	HBL2320SW	L6-20R	HBL2323	BLUE
	HBL2331SW	20A 277VAC	HBL2333SW	HBL2330SW	L7-20R	HBL2333	GRAY
4 WIRE	HBL2411SW	20A 125/250V	HBL2413SW	HBL2410SW	L14-20R	HBL2413	ORANGE
	HBL2421SW	20A 250V 3Ø	HBL2423SW	HBL2420SW	L15-20R	HBL2423	BLUE
4 WIRE	HBL2431SW	20A 480V 3Ø	HBL2433SW	HBL2430SW	L16-20R	HBL2433	RED
	HBL2511SW	20A 120/208V 3ØY	HBL2513SW	HBL2510SW	L21-20R	HBL2513	BLUE
3 WIRE	HBL2611SW	30A 125V	HBL2613SW	HBL2610SW	L5-30R	HBL2613	YELLOW
	HBL2621SW	30A 250V	HBL2623SW	HBL2620SW	L6-30R	HBL2623	BLUE
4 WIRE	HBL2711SW	30A 125/250V	HBL2713SW	HBL2710SW	L14-30R	HBL2713	ORANGE
	HBL2721SW	30A 250V 3Ø	HBL2723SW	HBL2720SW	L15-30R	HBL2723	BLUE
	HBL2731SW	30A 480V 3Ø	HBL2733SW	HBL2730SW	L16-30R	HBL2733	RED
5 WIRE	HBL2741SW	30A 600V 3Ø	HBL2743SW	HBL2740SW	L17-30R	HBL2743	BLACK
	HBL2811SW	30A 120/208V 3ØY	HBL2813SW	HBL2810SW	L21-30R	HBL2813	BLUE
5 WIRE	HBL2831SW	30A 347/600V 3ØY	-	HBL2830SW	L23-30R	HBL2833	BLACK

<sup>1</sup> DOES NOT MATE WITH NEMA RECEPTACLES    <sup>2</sup> TYPES 4,4X,12 WHEN CONNECTED    <sup>3</sup> TYPE 1 WHEN CONNECTED

DESCRIPTION	MATERIAL	FINISH
PLUG HOUSING	PBTP	
CORD CLAMPS	PBTP	
SEALS	CBR	
CLOSURE CAP	CBR	
BLADE HOLDER	PA 66	
SCREWS	302 SS	



**CATALOG NO. HBL2311SW  
(NOT SHOWN TO SCALE)**



NOTES: (UNLESS OTHERWISE SPECIFIED)  
 1) DIMENSIONS ARE INCHES [mm].  
 2) U.L. LISTED, C.S.A. CERTIFIED.

7	REDRAWN WITH EMBEDDED CAD MODEL WITH NO CHANGES TO PART GEOMETRY. PER DCN 21895 SPN	DJP	2/5/16
REV	DESCRIPTION	APP	DATE

THE DESIGN AND DIMENSIONS OF THE PRODUCT SHOWN ON THIS DRAWING ARE SUBJECT TO CHANGE WITHOUT NOTICE

TITLE  
**SAFETY-SHROUD™ TWIST-LOCK® PLUGS**

TOLERANCES UNLESS OTHERWISE SPECIFIED				WIRING DEVICE-KELLEMS HUBBELL INCORPORATED SHELTON, CT			
.XX = ± .01	.XXX = ± .005	ANGLES = ± 2°		DR. BY	EEM	APP. BY	JCA
				TR. BY		SCALE	1:2
				CHK. BY	JCA	DATE	10/5/94

DIMENSION SHEET FOR CAT. NO. SEE TABLE

REPAIRABLE  NON-REPAIRABLE

**B**

M-7318

**7**

CODE 74545