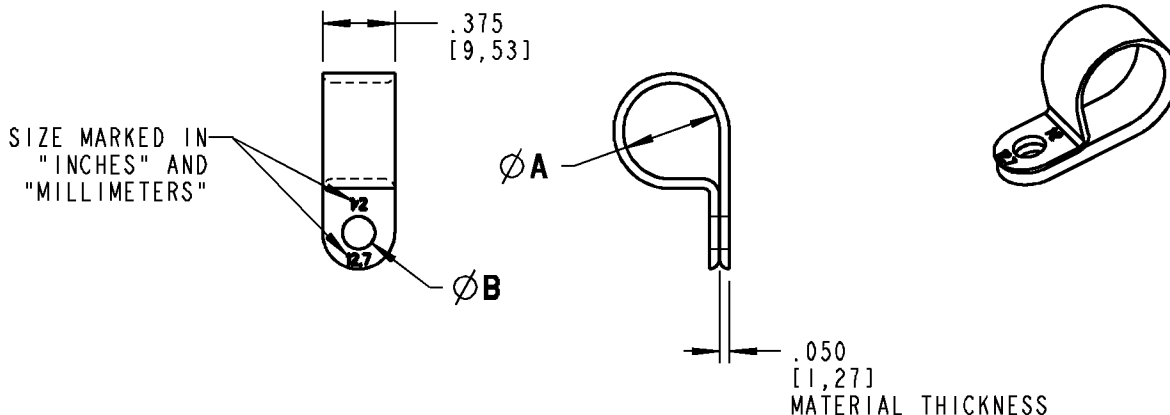


Ty-Rap



NOTES:

1. MATERIAL: NYON 6/6
2. FLAMMABILITY RATING: UL94V-2
3. OPERATING TEMPERATURE RANGE: -40°F [-40°C] TO 185°F [85°]
4. PLAIN EDGE CABLE CLAMPS ARE DESIGNED TO PERFORM TO NAS-1397P
5. FULLY RADIUSED INSIDE EDGES
6. NON-CONDUCTIVE; NON-CORROSIVE, RESISTANT TO FUELS, LUBRICANTS AND MOST CHEMICALS

CATALOG NUMBER	SIZE	ØA	ØB	SCREW SIZE
N4NY-002-***	1/8" [3,2]	.125 [3,2]	.170 [4,3]	#8
N4NY-003-***	3/16" [4,7]	.187 [4,7]		
N4NY-004-***	1/4" [6,3]	.250 [6,3]		
N4NY-005-***	5/16" [7,9]	.312 [7,9]		
N4NY-006-***	3/8" [9,5]	.375 [9,5]		
N4NY-007-***	7/16" [11,1]	.437 [11,1]		
N4NY-008-***	1/2" [12,7]	.500 [12,7]		
N4NY-002B-***	1/8" [3,2]	.125 [3,2]	.203 [5,2]	#10
N4NY-003B-***	3/16" [4,7]	.187 [4,7]		
N4NY-004B-***	1/4" [6,3]	.250 [6,3]		
N4NY-005B-***	5/16" [7,9]	.312 [7,9]		
N4NY-006B-***	3/8" [9,5]	.375 [9,5]		
N4NY-007B-***	7/16" [11,1]	.437 [11,1]		
N4NY-008B-***	1/2" [12,7]	.500 [12,7]		

* = COLOR CODE- 0 = BLACK
9 = NATURAL

** = PACKAGE QUANTITY- C = 100
M = 1,000

GENERAL NOTES

1. ALL DIMENSIONS ARE FOR REFERENCE ONLY.
2. DIMENSIONS IN BRACKETS [] ARE IN METRIC UNITS.

REVISIONS

** SEE ERN (****) FOR APPROVAL SIGNATURES & RELEASE DATE.
PROJECT NO: ****

Thomas & Betts
www.tnb.com

DESCRIPTION: **PLAIN EDGE CABLE CLAMP (N4NY SERIES)**

ORIGINAL PROJECT NO / (ERN NO) FM401229 / 2009113	SHEET NO: 1 OF 1	REV. NO: -	DRAWING NO: WSD-000389
---	----------------------------	----------------------	----------------------------------