

Floor Boxes
Accessories
Floor Box Covers



Features

- Meets ADA standards for accessible design
- Provides consistent look and maximum functionality
- Locking studs allow each door to be secured independently

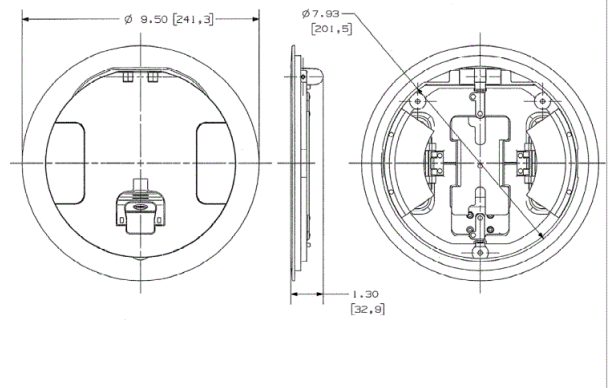


Ordering Information

Description	Device Color	UPC	Catalog Number
SystemOne Recessed,	Aluminum	783585444253	S1R8CVRALU

Specifications

Material	Brushed Aluminum
----------	------------------



Online Resources

- [Customer Use Drawing](#)
- [eCatalog](#)
- [Installation Instructions](#)

Dimensions in Inches (mm)

Hubbell Wiring Device-Kellems • Hubbell Incorporated (Delaware) • 40 Waterview Drive • Shelton, CT 06484

Phone (800) 288-6000 • Fax (800) 255-1031 • Specifications subject to change without notice.

