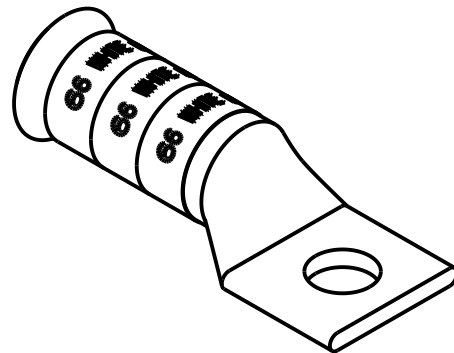
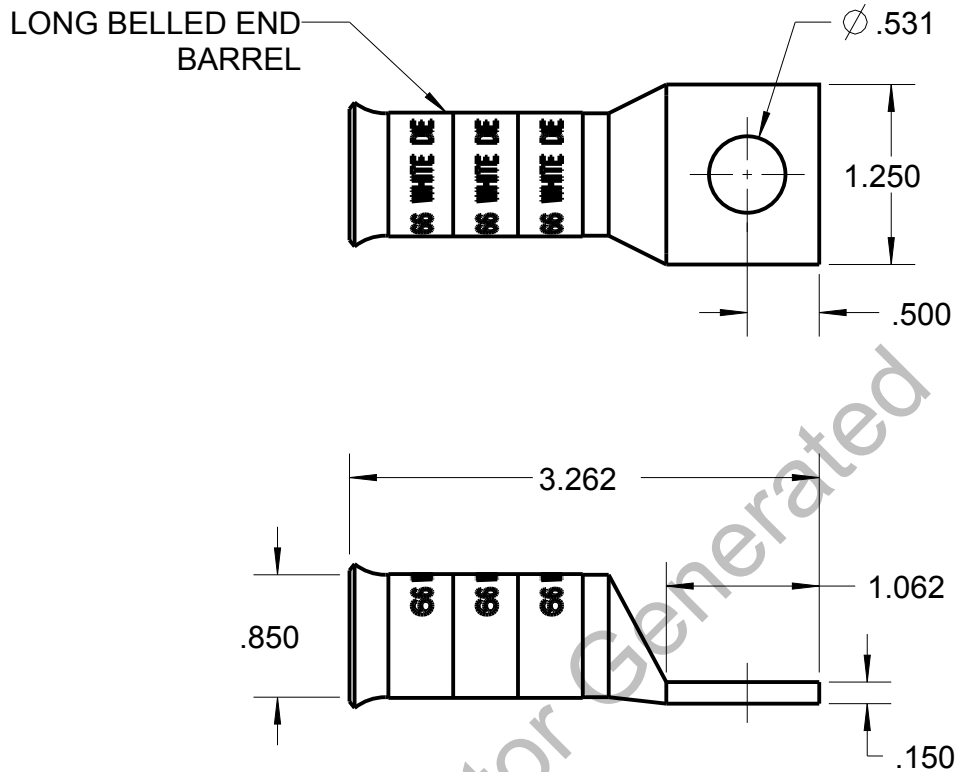



# Blackburn Compression

Featuring the Color-Keyed® System

CATALOG NO. 54914BEBS



WIRE SIZE: 300 MCM, 4/0 WELD, 650/24  
 MATERIAL: HIGH CONDUCTIVITY COPPER FINISH:  
 TIN PLATED

GENERAL NOTES		 www.tnb.com			
1. ALL DIMENSIONS ARE FOR REFERENCE ONLY. 2. DIMENSIONS IN BRACKETS [ ] ARE IN METRIC UNITS.					
REVISIONS		DESCRIPTION: <b>1 HOLE LUG</b>			
** SEE ERN (****) FOR APPROVAL SIGNATURES & RELEASE DATE. PROJECT NO: ****					
ORIGINAL PROJECT NO / (ERN NO)	SHEET NO:	REV. NO:	DRAWING NO: WSD-002944		
/ ( )	1 OF 1	0	<b>54914BEBS</b>		