

► Model LP22LED

# StreamLine® Low Profile LED Light



Model LP22LED is a multi-pattern LED light ideal for applications requiring low profile signaling. The unit can be surface, panel or 1/2" NPT pipe mounted through the integrated pipe mount. The enclosure offers a self-extinguishing polycarbonate housing that protects against vibrations, dust, and atmospheric elements, and is rated Type 4X.

The LP22LED has four flash patterns (steady light, single flash, double flash and triple flash) selectable via DIP switch.

## FEATURES

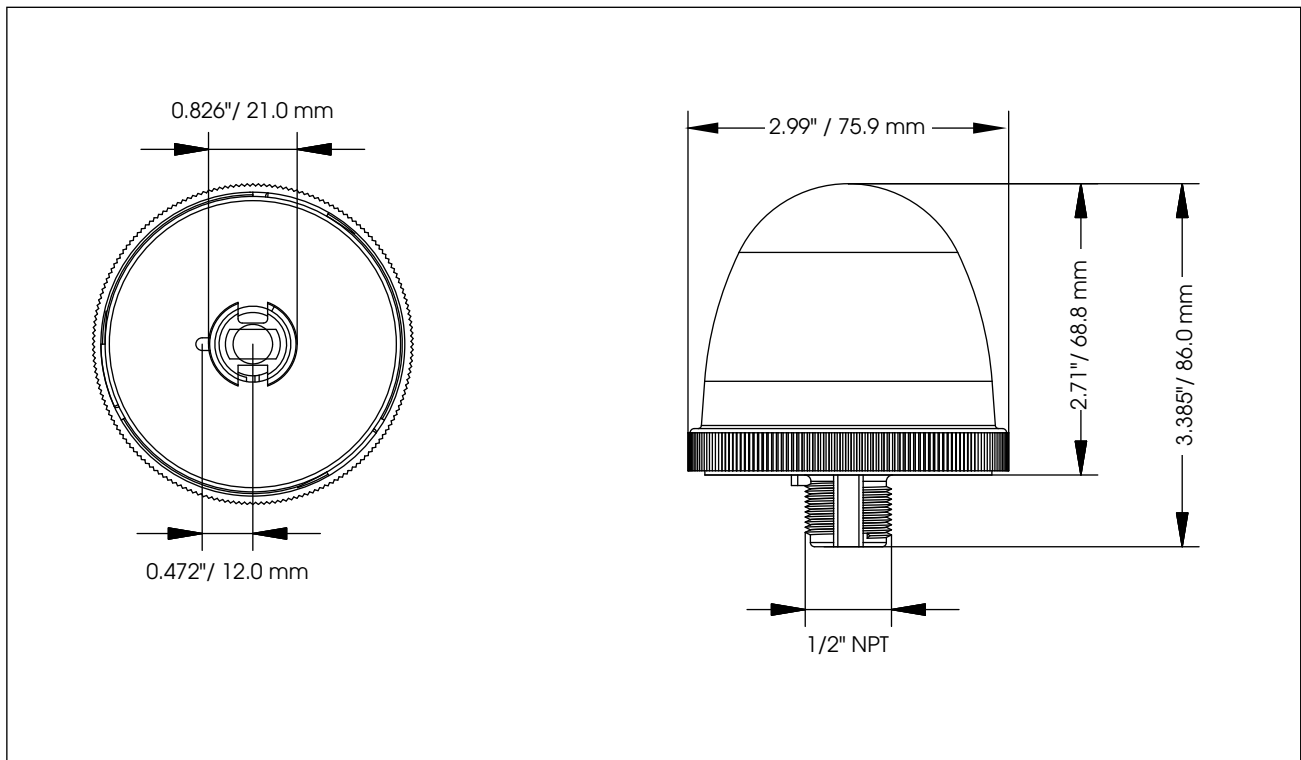
- Available in 12-24VAC/DC and 90-240VAC
- 1/2" NPT pipe, surface or panel mount
- Four flash patterns
- Five lamp/lens colors: Amber, Blue, Clear, Green and Red
- Self-extinguishing polycarbonate housing
- Type 4X, IP66 enclosure
- CE Certified
- UL and cUL Listed

MODEL	VOLTAGE	FLASH RATE/MINUTE			
		STEADY	SINGLE FLASH	DOUBLE FLASH	TRIPLE FLASH
<b>LP22LED-012-024*</b>	12-24VAC/DC	N/A	120 (+/-10)	90 (+/-10)	140 (+/-10)
<b>LP22LED-090-240*</b>	90-240VAC	N/A	120 (+/-10)	90 (+/-10)	140 (+/-10)

\* Indicates color: (A) Amber, (B) Blue, (C) Clear, (G) Green or (R) Red

MODEL	MAXIMUM OPERATING CURRENT (mA)			
	12VAC/DC	24VAC/DC	90VAC	240VAC
<b>LP22LED-012-024*</b>	180	180	N/A	N/A
<b>LP22LED-090-240*</b>	N/A	N/A	40	40

StreamLine® Low Profile LED Light (LP22LED)



SPECIFICATIONS

Lamp Life:	50,000 Hours	
Light Source:	LED	
Operating Temperature Range:	-22°F to 122°F	-30°C to 50°C
Net Weight:	5.29 oz	0.15 kg
Shipping Weight:	1.13 lbs	0.51 kg
Height:	3.39"	86.0 mm
Height – above surface:	2.71"	68.8 mm
Diameter:	2.99"	75.9 mm

HOW TO ORDER

<b>LP22LED</b>	-	<b>012-024</b>	<b>A</b>
<b>TYPE</b> LP22LED		<b>VOLTAGE</b> 012-024 (12-24VAC/DC) 090-240 (90-240VAC)	<b>COLOR</b> A Amber B Blue C Clear G Green R Red