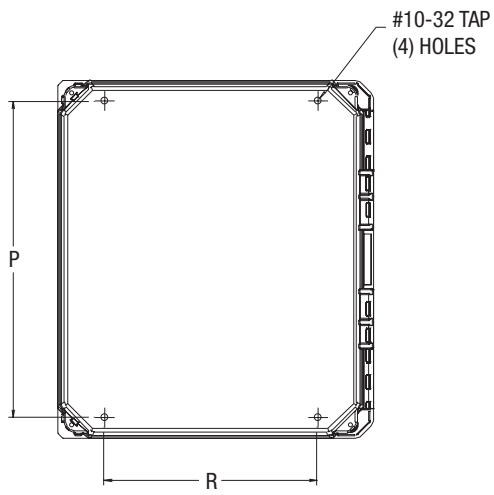
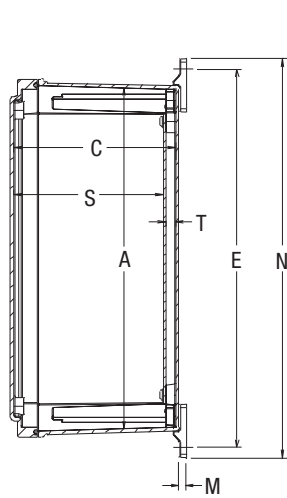
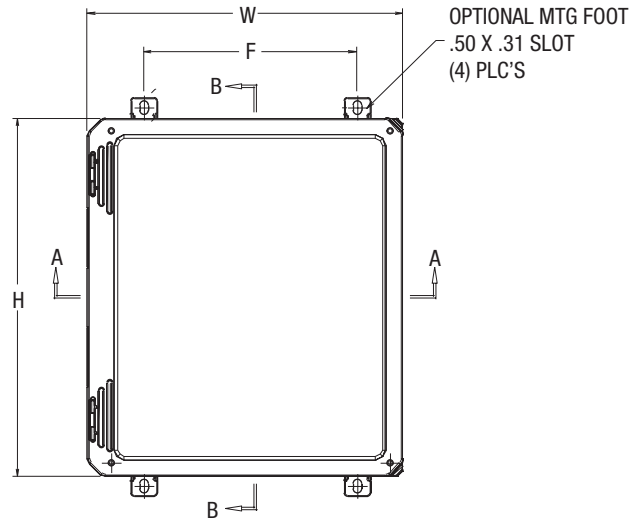


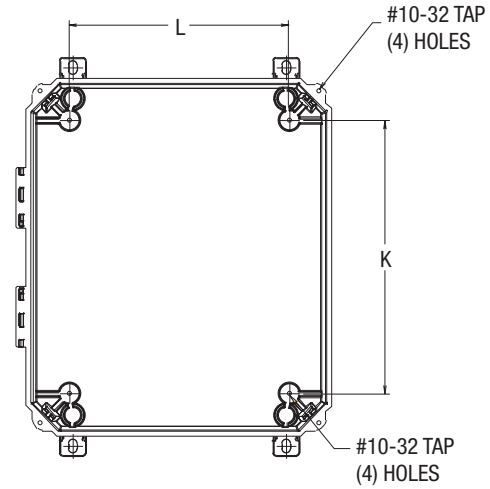
DiamondShield Clear Cover Series Technical Drawings



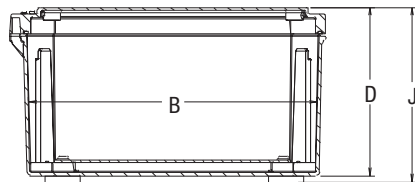
REAR VIEW



SECTION B-B



COVER
REMOVED



SECTION A-A

DiamondShield Clear Cover Series Technical Chart

DiamondShield Clear Cover Series Enclosures

SIZE ID NUMBER	OVERALL H X W X D	INSIDE A X B X C	MOUNTING P X R	K	L	S	T	OPT. MOUNT. FEET E X F	N	J	M	SHIPPING WEIGHT	PANEL NUMBER
DSCC60604W DSCC60604HW DSCC60604HPL DSCC60604HLL	7.41 x 7.79 x 4.31 (188 x 198 x 110)	6.77 x 6.77 x 4.06 (172 x 172 x 103)	5.93 x 4.00 (151 x 102)	4.25 (108)	4.25 (108)	3.60 (92)	.38 (10)	8.24 x 4.00 (209 x 102)	9.02 (229)	4.56 (116)	.25 (6)	3.8 lbs	BP66*
DSCC80604W DSCC80604HW DSCC80604HPL DSCC80604HLL	9.41 x 7.79 x 4.31 (239 x 198 x 110)	8.77 x 6.77 x 4.06 (223 x 172 x 103)	7.91 x 4.00 (201 x 102)	6.25 (159)	4.25 (108)	3.60 (92)	.38 (10)	10.21 x 4.00 (259 x 102)	10.98 (279)	4.56 (116)	.25 (6)	4.1 lbs	BP86*
DSCC80804W DSCC80804HW DSCC80804HPL DSCC80804HLL	9.39 x 9.76 x 4.31 (239 x 248 x 110)	8.74 x 8.74 x 4.06 (222 x 222 x 103)	7.91 x 6.00 (201 x 152)	6.25 (159)	6.25 (159)	3.60 (92)	.38 (10)	10.21 x 6.00 (259 x 152)	10.98 (279)	4.56 (116)	.25 (6)	4.9 lbs	BP88*
DSCC100806W DSCC100806HW DSCC100806HPL DSCC100806HLL	11.42 x 9.79 x 6.31 (290 x 249 x 160)	10.73 x 8.73 x 6.06 (273 x 222 x 154)	9.89 x 6.00 (251 x 152)	8.25 (210)	6.25 (159)	5.60 (142)	.38 (10)	12.19 x 6.00 (310 x 152)	12.96 (329)	6.56 (167)	.25 (6)	6.2 lbs	BP1008*
DSCC121006W DSCC121006HW DSCC121006HPL DSCC121006HLL	13.45 x 11.83 x 6.31 (342 x 301 x 160)	12.69 x 10.69 x 6.06 (322 x 272 x 154)	11.88 x 8.00 (302 x 203)	10.25 (260)	8.25 (210)	5.60 (142)	.38 (10)	14.18 x 8.00 (360 x 203)	14.95 (380)	6.56 (167)	.25 (6)	8.0 lbs	BP1210*
DSCC141206W DSCC141206HW DSCC141206HPL DSCC141206HLL	15.49 x 13.86 x 6.34 (393 x 352 x 161)	14.72 x 12.72 x 6.06 (374 x 323 x 154)	13.91 x 10.00 (353 x 254)	12.25 (311)	10.25 (260)	5.60 (142)	.38 (10)	16.21 x 10.00 (412 x 254)	16.98 (431)	6.59 (167)	.25 (6)	10.0 lbs	BP1412*
DSCC141208W DSCC141208HW DSCC141208HPL DSCC141208HLL	15.49 x 13.86 x 8.34 (393 x 352 x 212)	14.66 x 12.66 x 8.06 (372 x 322 x 205)	13.88 x 10.00 (353 x 254)	12.25 (311)	10.25 (260)	7.60 (193)	.38 (10)	16.19 x 10.00 (411 x 254)	16.96 (431)	8.59 (218)	.25 (6)	12.5 lbs	BP1412*
DSCC161408W DSCC161408HW DSCC161408HPL DSCC161408HLL	17.58 x 15.96 x 8.34 (447 x 405 x 212)	16.69 x 14.69 x 8.06 (424 x 373 x 205)	15.96 x 12.00 (405 x 305)	14.25 (362)	12.25 (311)	7.60 (193)	.38 (10)	18.26 x 12.00 (464 x 305)	19.04 (484)	8.59 (218)	.25 (6)	13.3 lbs	BP1614*

All measures are in inches, items in parentheses are in millimeters.

*Panel sold separately.