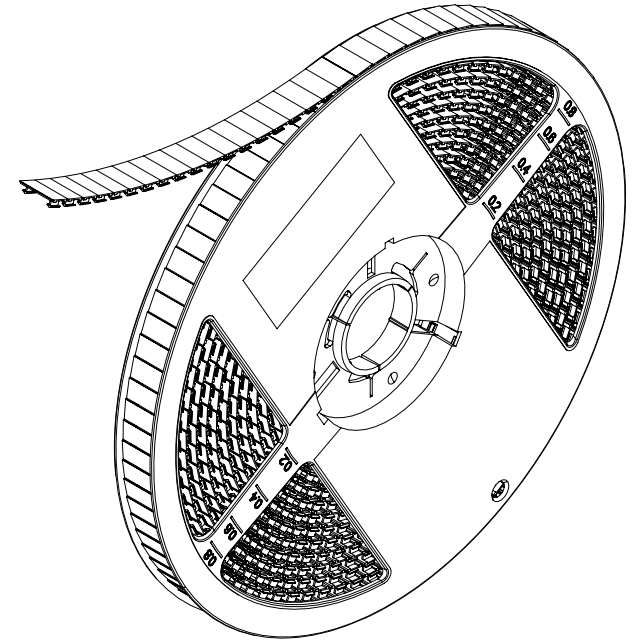
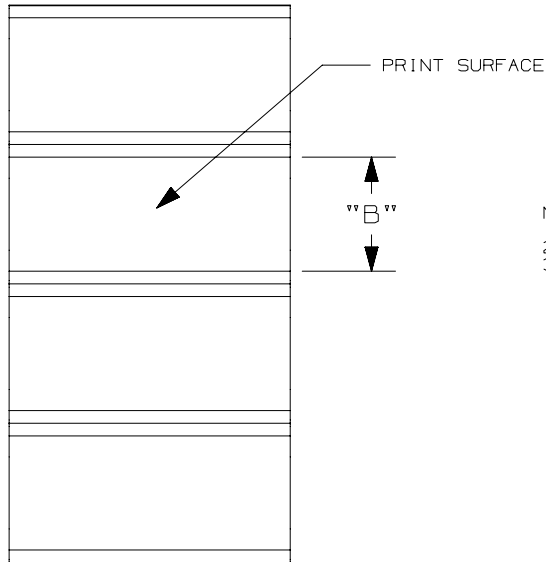
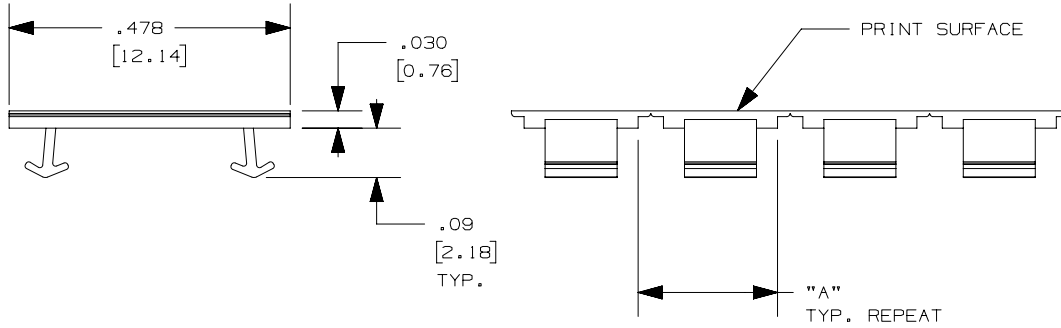


THIS COPY IS PROVIDED ON A RESTRICTED BASIS AND IS NOT TO BE USED IN ANY WAY DETRIMENTAL TO THE INTERESTS OF PANDUIT CORP.



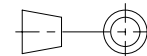
- NOTES:
 1. MILLIMETERS ARE DENOTED IN [].
 2. PRODUCT TO BE USED WITH PANDUIT TDP43ME PRINTER
 3. USE RESIN RIBBON (RMER1BL, RMER2BL, OR RMER4BL) FOR OPTIMAL PRINT RESULTS

| PART NUMBER | COLOR | DIM "A" | DIM "B" | LABELS PER REEL | ALLEN BRADLEY COMPATIBLE TERMINAL BLOCKS | WEIDMUELLER COMPATIBLE TERMINAL BLOCKS |
|----------------|-------|---------------|---------------|-----------------|--|--|
| TB05X12EWT-AB1 | WHITE | 0.200" [5.08] | 0.160" [4.08] | 1000 | 1492-J3, 1492-W3 | WDU 2.5 |
| TB06X12EWT-AB1 | WHITE | 0.242" [6.14] | 0.205" [5.02] | 1000 | 1492-J4, 1492-W4 | WDU 4 |
| TB08X12EWT-AB1 | WHITE | 0.317" [8.04] | 0.276" [7.01] | 750 | 1492-J6 | WDU 6 |

TITLE
TB05X12EWT-AB1, TB06X12EWT-AB1, TB08X12EWT-AB1 TERMINAL BLOCK MARKERS
 CUSTOMER DRAWING

ITEM REVISION NAME
141130BB/03
 DATASET FILE NAME
141130BB_DS_C11711/00

UNLESS OTHERWISE SPECIFIED, DIMENSIONAL TOLERANCES ARE: IN [mm]
 .x ± .1 [2.54] .xxx ± .010 [.254]
 .xx ± .02 [.50] ANGLES ± 3 °



THIRD ANGLE PROJECTION



MATERIAL:
THERMOPLASTIC POLYURETHANE ELASTOMER

DRAWING NUMBER:
C11711

| REV | DATE | BY | CHK | APR | DESCRIPTION | ECN |
|-----|---------|-----|-----|------|-----------------|------------|
| 00 | 2/20/17 | ZSG | CLW | MSAD | INITIAL RELEASE | GAECN03985 |

| | | | | | |
|------------------------|------------------------|--------------------|---------------------|------------|------------------|
| DRAWN BY ZSG | DATE 2/20/17 | CHK MSAD | SCALE 3:1 | SHT 1 OF 1 | SIZE A |
|------------------------|------------------------|--------------------|---------------------|------------|------------------|

D10100DA/20