

# **BALDOR**® • ***RELIANCE***

## **Product Information Packet**

# **GPP12540**

**.13HP,DC,PSSM-0,2416P,TENV,F1**

Part Detail							
Revision:	U	Status:	PRD/A	Change #:		Proprietary:	No
Type:	DC	Prod. Type:	2416P	Elec. Spec:	24WGZ026	CD Diagram:	CD1899
Enclosure:	TENV	Mfg Plant:		Mech. Spec:		Layout:	24A099Z026G1
Frame:		Mounting:		Poles:	00	Created Date:	
Base:		Rotation:	R	Insulation:	F	Eff. Date:	06-02-2015
Field Type:		Literature:		Elec. Diagram:		Replaced By:	

Specs			
Enclosure:	TENV		
Gearhead Type:	PARALLEL SHAFT		
Gear Ratio:	5:1		
Gear Style:	PSM		
Mounting Arrangement:	0.000		
Product Family:	General Purpose		

Nameplate NP1220A08	
CAT.NO.	GPP12540
SER.NO.	
SPEC.	24A099Z026G1
FRAME	PSM <span style="float: right;">TYPE 2416P</span>
HP	.13 TE
VOLTS	90DC
AMP	1.35
F.F.	1.56 <span style="float: right;">CLASS F</span>
AMB.	40 <span style="float: right;">DUTY CONT</span>
BRUSHES	2/BP5052BP01
R.P.M.	500
TORQ/IN LB	15
RATIO	5:1
APRV-CE	<input type="checkbox"/> <span style="float: right;">APRV-CUL <input type="checkbox"/></span>

**DC Motor Performance Data**

Record # 2006 - Typical performance - not guaranteed values

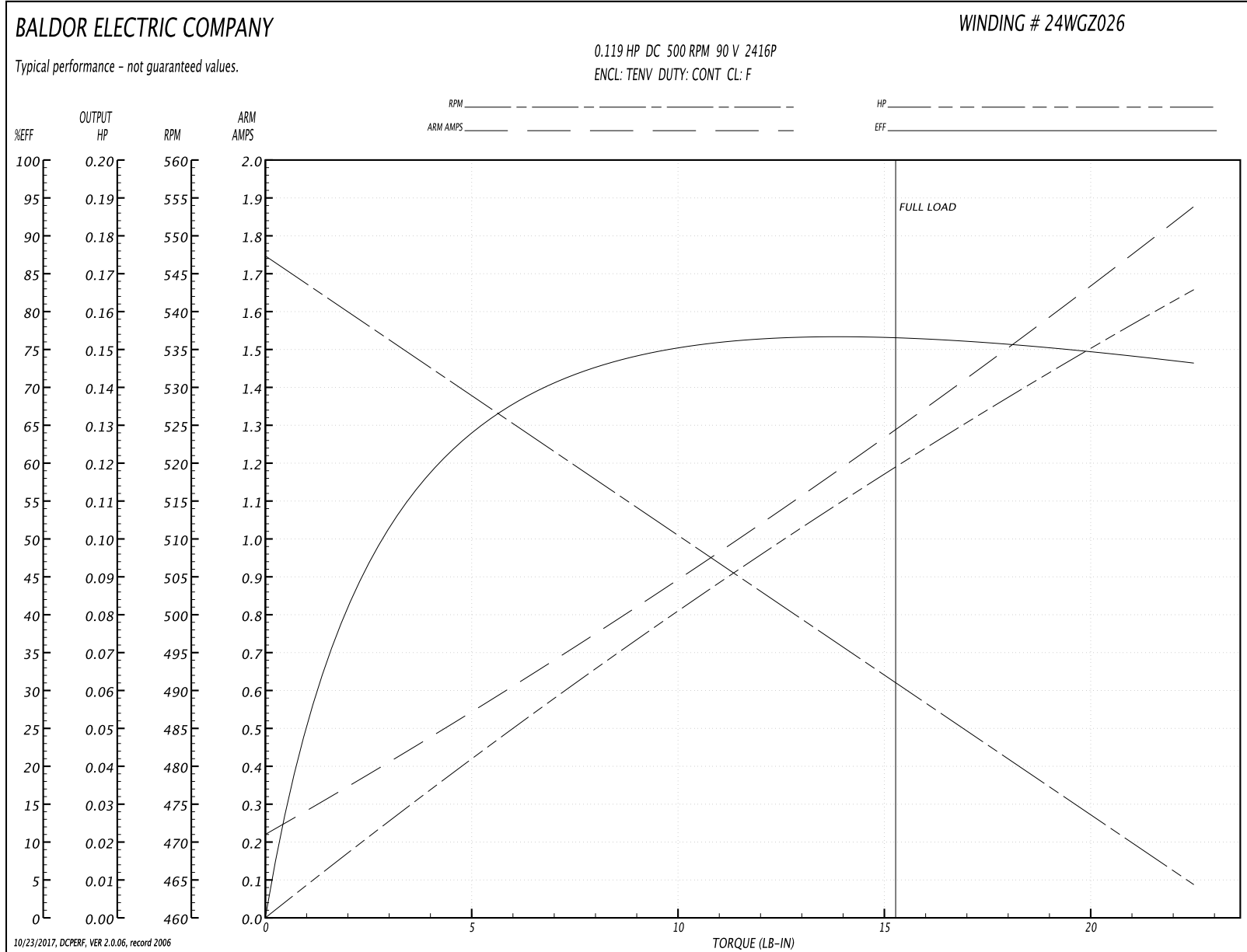
<b>Winding:</b> 24WGZ026-R001 <b>Gear Type:</b> PARALLEL	<b>Type:</b> 2416P <b>Gear Style:</b> PSM	<b>Enclosure:</b> TENV <b>Gear Ratio:</b> 5:1
---	--	--

Nameplate Data		General Characteristics	
Rated Output (HP)	0.119	Armature Resistance @ 25°C	6.19 Ω
R.P.M.	500		
Armature Volts	90	Voltage Constant	32 v/krpm
Armature Amps	1.28		
Field Volts		Armature Inductance	21.5 mH
Field Amps		Armature Inertia	12.6 OI <sup>2</sup>
Rating - Duty	40C AMB-CONT		
Form Factor	1.56	Maximum allowable inrush amps	12.5

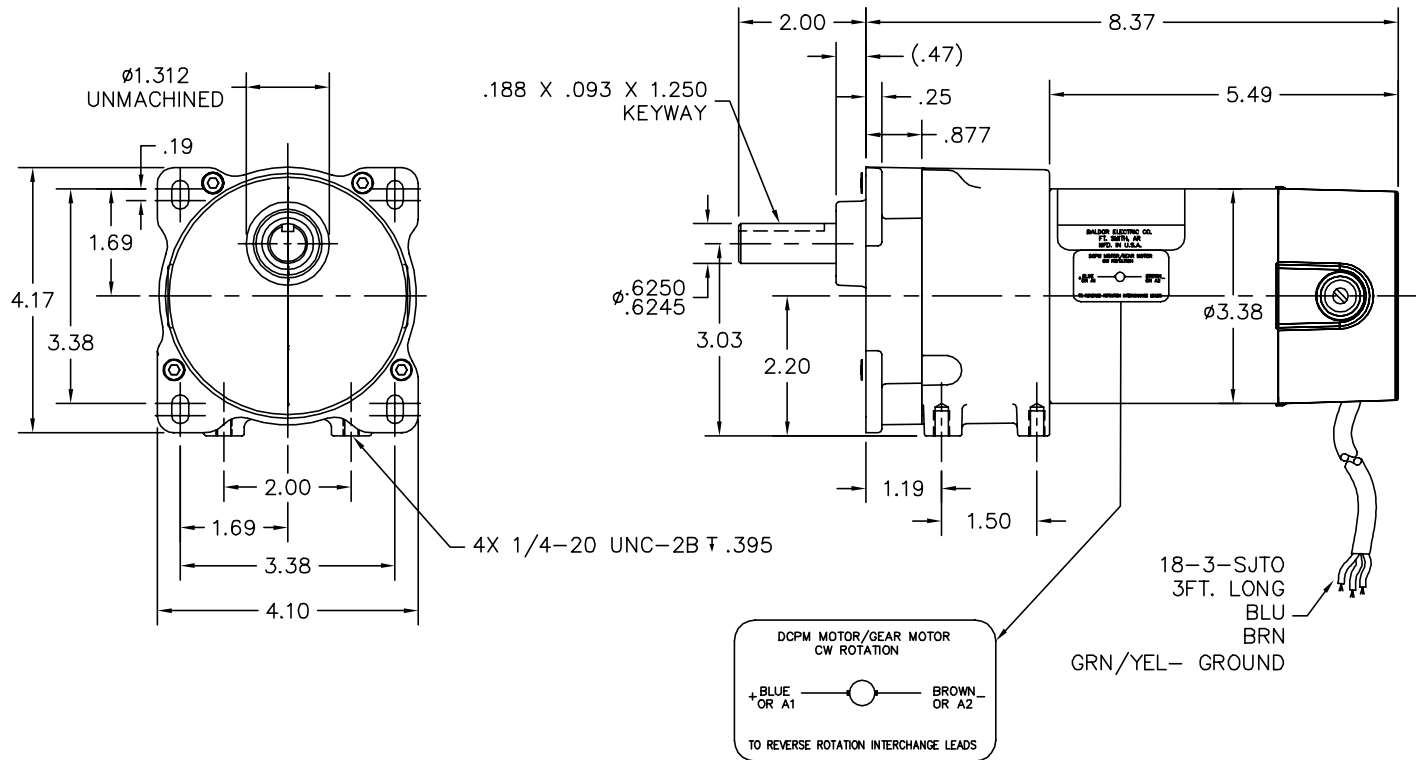
Load Characteristics at 90 Armature Volts

Load Point	1	2	3	4	5	6	7
Armature Amps	0.23	0.45	0.7	1	1.28	1.55	1.88
R.P.M.	546	535	520	505	492	480	463
Torque ( LB-IN )	0	3.75	7.5	11.25	15	18.75	22.5

Performance Graph at 90.0 Arm V, 0.119HP Typical performance - Not guaranteed values



24A099Z026G1



CUSTOMER IS RESPONSIBLE FOR DETERMINING THAT MOTOR PERFORMANCE IS SUITABLE IN THE APPLICATION.

REV. DESC: REMOVE TAGS CALLOUT ON THE LEADS

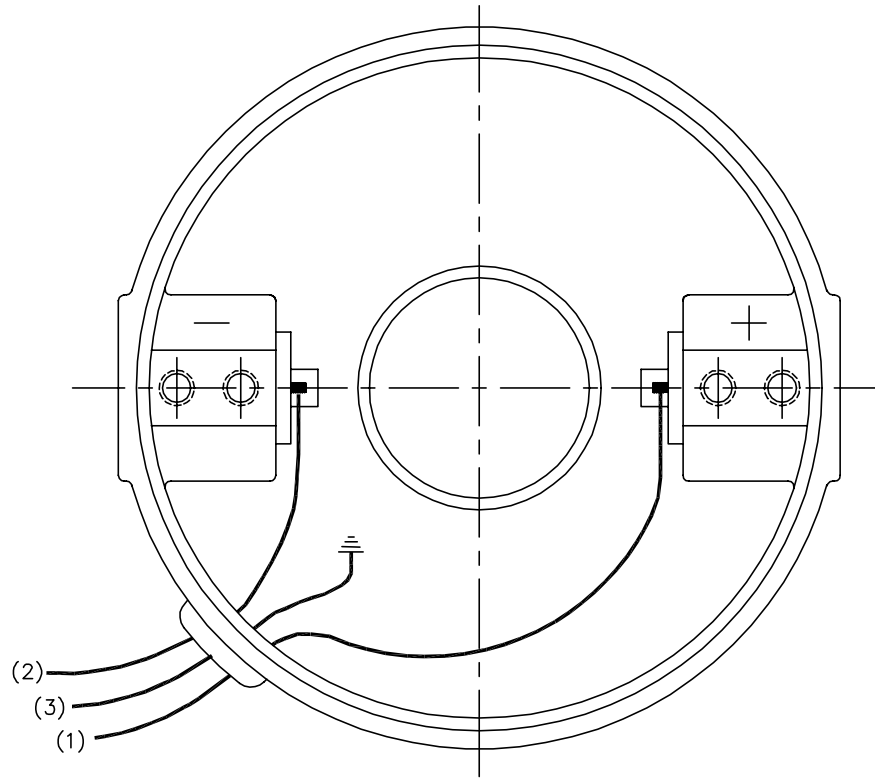
REV. LTR: E	VERSION: 05	TDR: 000000490938
199Z0Z026G1	FILE: \CKA\00021\622	REVISED: 16:36:26 02/16/2009
	MTL: -	BY: CKMARD0

**BALDOR • DODGE • RELIANCE**

LY,24DC PSM DOM TENV (GPP12540)

24A099Z026G1

CD1899



(1) COLOR MAY BE  
RED  
WHT  
BLU

(2) COLOR MAY BE  
BLK  
BRN

(3) COLOR WHEN REQ.  
GRN  
GRN/YEL

VIEWED FROM  
DRIVE END

REV. DESC: NEW			
REV. LTR: -	BY: PAW	REVISED: 09:06:34 09/16/2004	TDR: 341564
668100		FILE: CKA00025830	REF: CD1899
		MTL: -	

**BALDOR ELECTRIC Co.**

PM,2LD,REV,TANG,CK

CD1899