

Hazardous Location Fittings

GASS Series Aluminum Internal Hubs

Application

- Junction for branch conduits in hazardous locations
- Accessible wiring chamber provides a convenient location to maintain or change a system, pull conductors and make splices

Features

- Copper-free* aluminum alloy provides increased corrosion resistance
- Extra-wide 3/4" opening provides more hand space for easy access to the wiring chamber
- Precision cast and machined surfaces permit safer wire pulling
- Large capacity 31-cu.-in. chamber provides more wiring space
- Precision NPT threaded hubs enable trouble-free field installation for rigid or IMC conduit
- Sand-cast construction and industrial design combine to produce a rugged protective enclosure for devices on industrial and OEM applications
- Clear UL, CSA and cubic content markings speed approval by inspectors
- Hub spacing enables use of EXFU and EXMU unions

Standard Materials

Box — Sand-Cast aluminum alloy A356. 2-T6
 Cover — Die-Cast aluminum alloy A360 with less than .004 copper content (copper-free)

Standard Finish

Aluminum lacquer finish

Listings/Compliances

UL Listed
 CSA Certified
 NEC
 Cl.I, Div. 1 & 2, Groups C, D
 Cl.II, Div. 1, Groups E, F, G
 Cl.III, Div. 1 & 2
 NEMA 3, 4, 7 CD, 9 EFG
 Explosion-Proof
 Dust-Ignition-Proof
 Raintight
 Wet Locations

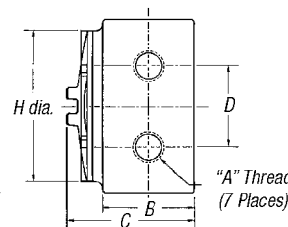
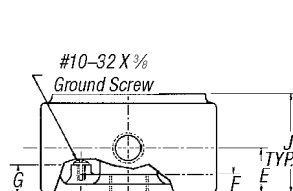
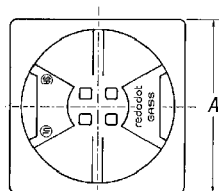
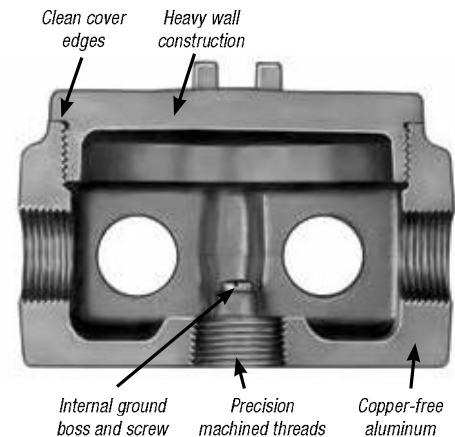
Sample Specifications

Enclosure for hazardous locations. The box shall be cast copper-free* aluminum alloy A356.2-T6. Suitable for use in hazardous locations: Suitable for use in Class I, Groups C, D; Class II, Groups E, F, G; and Class III areas. Enclosures shall be finished with aluminum lacquer. Outlet boxes shall be Thomas & Betts Catalog No. _____

*Less than .004% copper content.



GASS



Dimensions of all styles when GASS cover is used

GASS Internal Hubs with Installed Green Ground Screw, Cover and Plugs



COVER OPENING	HUB SIZE	A	B	C	D	E	F	G	H	J	CI
4"	1/2"	4 3/4"	2 3/4"	3 3/4"	2 1/16"	1 1/16"	1/2"	3/4"	4"	2 3/4"	31
4"	3/4"	4 3/4"	2 3/4"	3 3/4"	2 1/16"	1 1/16"	1/2"	3/4"	4"	2 3/4"	31
4"	1"	4 3/4"	2 3/4"	3 3/4"	2 1/16"	1 1/16"	1/2"	3/4"	4"	2 3/4"	31

CAT. NO.	HUB SIZE	UNIT QTY.	STD. PKG.	WT. LBS. PER 100
GASS-1	1/2"	1	5	282
GASS-2	3/4"	1	5	278
GASS-3	1"	1	5	274