

BALDOR® • *RELIANCE*

Product Information Packet

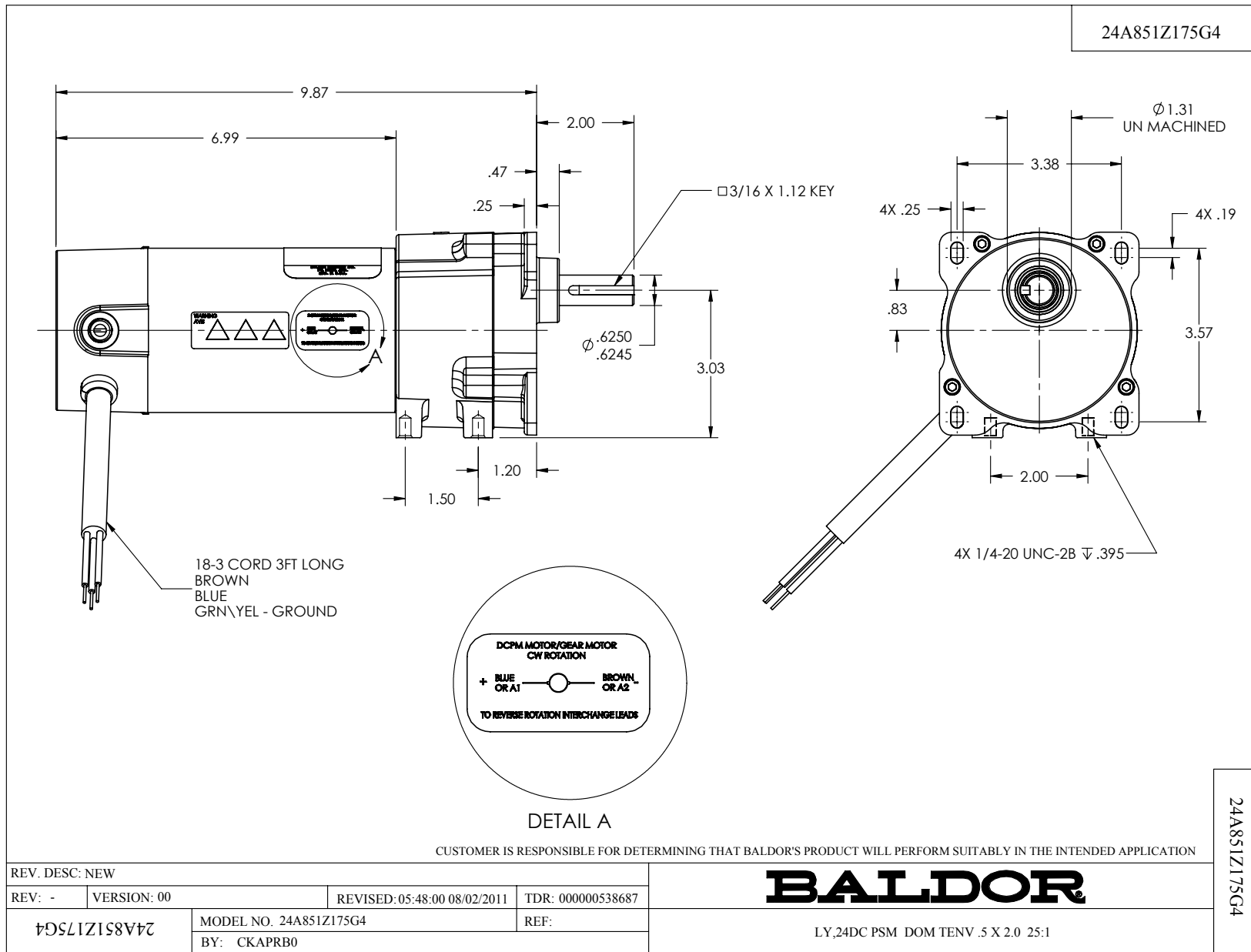
GPP24019

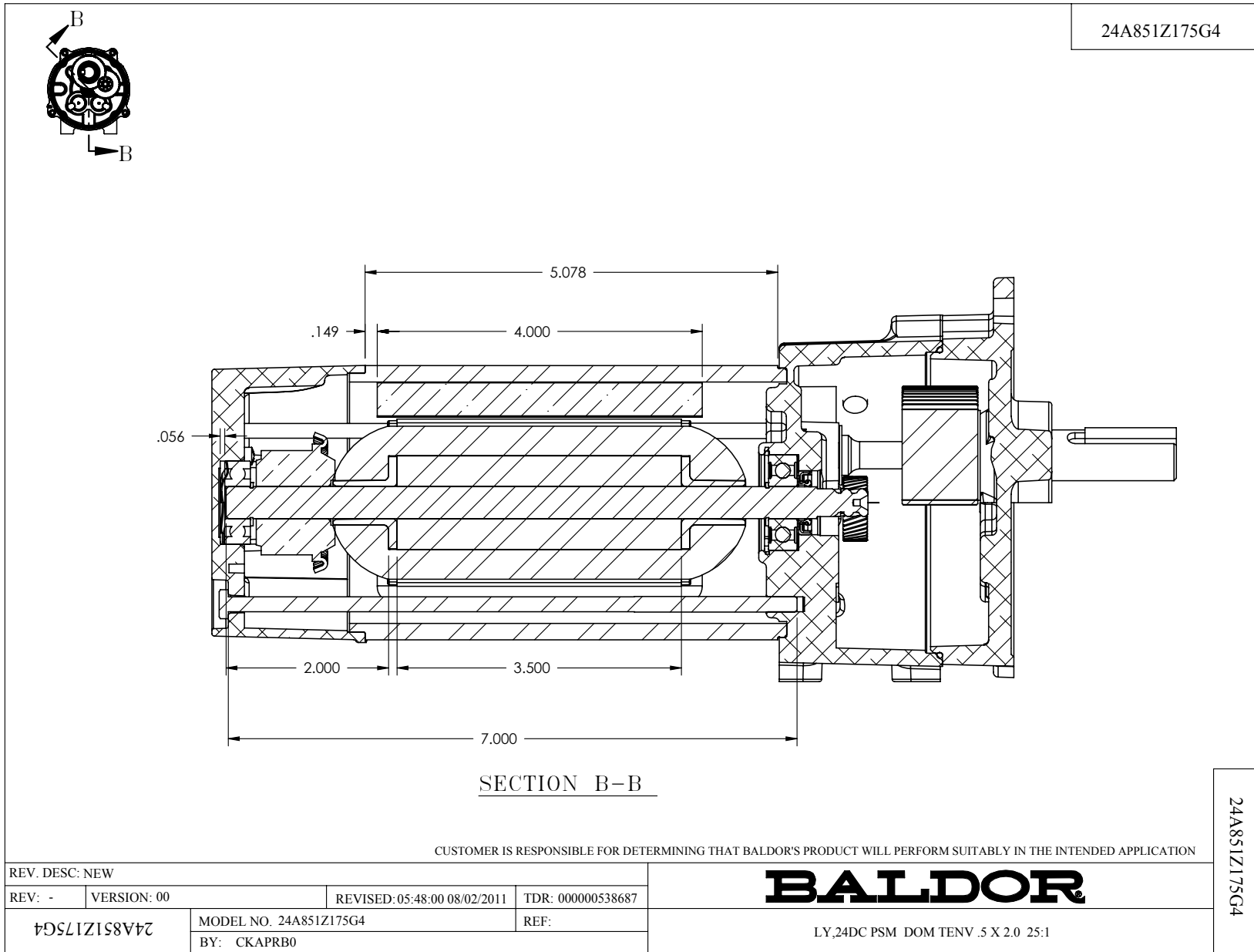
1/4HP 94 RPM @ 160 In-lbs 90 DC PSM

| Part Detail | | | | | | | |
|-------------|------|-------------|-------|----------------|----------|---------------|--------------|
| Revision: | C | Status: | PRD/A | Change #: | | Proprietary: | No |
| Type: | DC | Prod. Type: | 2428P | Elec. Spec: | 24WGZ175 | CD Diagram: | CD1899 |
| Enclosure: | TENV | Mfg Plant: | | Mech. Spec: | | Layout: | 24A851Z175G4 |
| Frame: | | Mounting: | | Poles: | 00 | Created Date: | 07-26-2011 |
| Base: | | Rotation: | R | Insulation: | F | Eff. Date: | 06-04-2015 |
| Field Type: | | Literature: | | Elec. Diagram: | | Replaced By: | |

| Specs | | | |
|-----------------------|-----------------|--|--|
| Enclosure: | TENV | | |
| Gearhead Type: | PARALLEL SHAFT | | |
| Gear Ratio: | 25:1 | | |
| Gear Style: | PSM | | |
| Mounting Arrangement: | 0.000 | | |
| Product Family: | General Purpose | | |

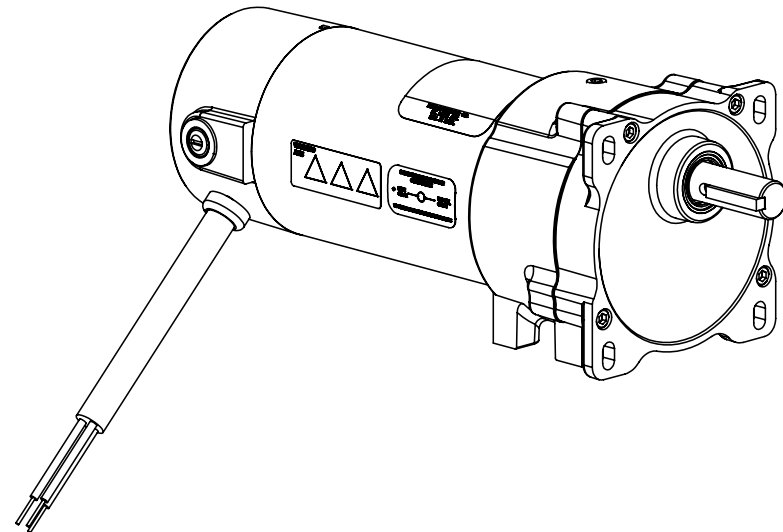
| | |
|----------------------------|--|
| Nameplate NP1220A08 | |
| CAT.NO. | GPP24019 |
| SER.NO. | |
| SPEC. | 24A851Z175G4 |
| FRAME | PSM TYPE 2428P |
| HP | .25 TE |
| VOLTS | 90 |
| AMP | 2.7 |
| F.F. | 1.26 CLASS F |
| AMB. | 40 DUTY CONT |
| BRUSHES | 2/BP5052BP01 |
| R.P.M. | 94 |
| TORQ/IN LB | 160 |
| RATIO | 25:1 |
| APRV-CE | <input type="checkbox"/> APRV-CUL <input type="checkbox"/> |





| ITEM NO. | PART NUMBER | QTY. |
|----------|---------------------------|------|
| 1 | HG0060A01 | 1 |
| 2 | BMH1716 | 1 |
| 3 | BG6200C | 1 |
| 4 | HW5002A45 | 1 |
| 5 | HW4600D28 | 1 |
| 6 | HA4021A05 | 1 |
| 7 | BH1163A01 | 1 |
| 8 | HW3064E05 | 1 |
| 9 | 24SH4002F19 | 1 |
| 10 | 24AA2028A01 10mm | 1 |
| 11 | SKF - 6000 - 8,DE,NC,8_68 | 1 |
| 12 | HW5060A23 | 2 |
| 13 | 24SB3100F14 | 1 |
| 14 | PM1049A07 | 2 |
| 15 | 24EP3102A01 | 1 |
| 16 | HW5109A13 | 1 |
| 17 | BP4529 | 2 |
| 18 | 80XN1032A04 | 2 |
| 19 | bp5052-01 compressed | 2 |
| 20 | BP4530 | 2 |
| 21 | WD4102A01 | 1 |
| 22 | LD0110A | 1 |
| 23 | 55XT0632G03 | 1 |
| 24 | HA3100A29 | 2 |
| 25 | SG0052A24 | 1 |
| 26 | SG0052A23 | 1 |
| 27 | BCG5495-001 | 1 |
| 28 | RM1020A24 | 1 |
| 29 | HW4600D90 | 1 |
| 30 | BH1103 | 1 |
| 31 | 84XN1032J16 | 4 |
| 32 | BMH1910 | 1 |
| 33 | NP1220 24DC DOM | 1 |
| 34 | 24DC_LC0899A07 | 1 |
| 35 | LB1451 | 1 |

24A851Z175G4



24A851Z175G4

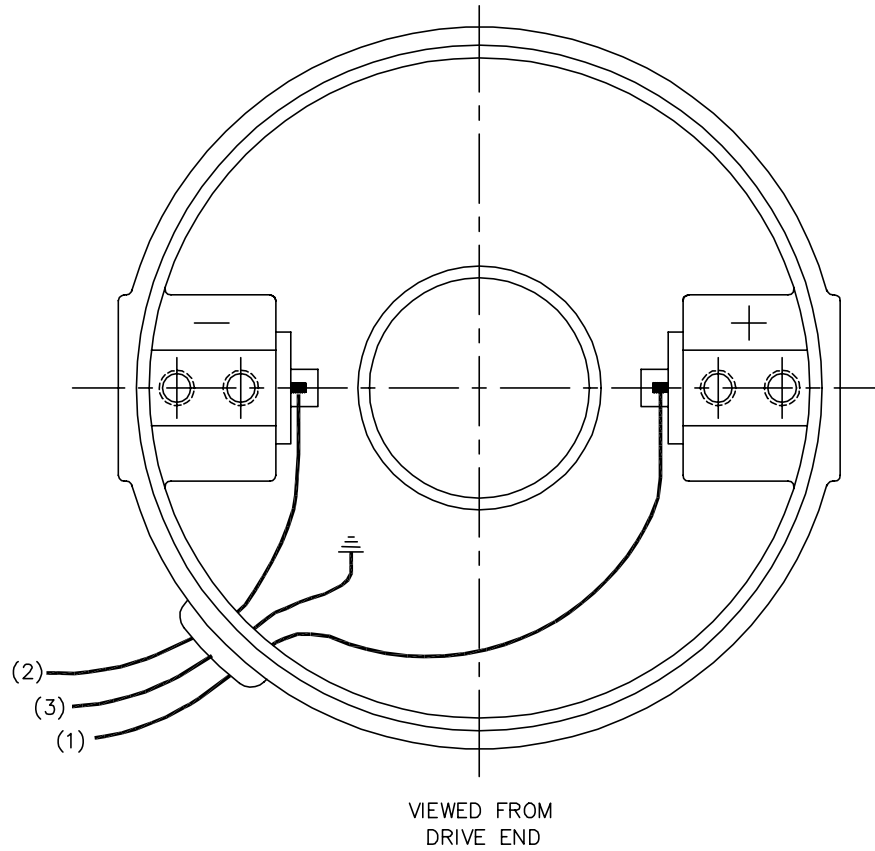
CUSTOMER IS RESPONSIBLE FOR DETERMINING THAT BALDOR'S PRODUCT WILL PERFORM SUITABLY IN THE INTENDED APPLICATION

| | | | |
|----------------|------------------------|------------------------------|-------------------|
| REV. DESC: NEW | | | |
| REV: - | VERSION: 00 | REVISED: 05:48:00 08/02/2011 | TDR: 000000538687 |
| 24A851Z175G4 | MODEL NO. 24A851Z175G4 | | REF: |
| | BY: CKAPRB0 | | |

BALDOR

LY,24DC PSM DOM TENV .5 X 2.0 25:1

CD1899



(1) COLOR MAY BE
RED
WHT
BLU

(2) COLOR MAY BE
BLK
BRN

(3) COLOR WHEN REQ.
GRN
GRN/YEL

VIEWED FROM
DRIVE END

| | | | |
|----------------|---------|------------------------------|-------------|
| REV. DESC: NEW | | | |
| REV. LTR: - | BY: PAW | REVISED: 09:06:34 09/16/2004 | TDR: 341564 |
| 668100 | | FILE: CKA00025830 | REF: CD1899 |
| | | MTL: - | |

BALDOR ELECTRIC Co.

PM,2LD,REV,TANG,CK

CD1899