

A Pentair Company

## Dual Blower Package

**Hoffman Enclosures Inc.**  
2100 Hoffman Way  
Anoka, MN 55303-1745  
(763) 422-2211 Tel  
www.hoffmanonline.com

**Pentair Electronic Packaging**  
170 Commerce Drive  
Warwick, RI 02886  
(401) 732-3770  
www.pentair-ep.com

**Canada**  
Hoffman-Schroff  
111 Grangeway Avenue, Suite 504  
Scarborough, Ontario M1H 3E9  
(416) 289-2770 Fax (416) 289-2883  
1-800-668-2500 (Canada only)

**Germany**  
Schroff GmbH  
Langenalber Str. 96-100  
75334 Straubenhardt  
49 (07082) 794-0 Fax 49 (07082)  
794-200  
www.schroff.de

**Great Britain**  
Schroff UK Ltd.  
Maylands Avenue  
Hemel Hempstead, Herts HP2 7DE  
44 (01442) 240471 Fax 44 (01442) 213508  
www.schroff.co.uk

**Sweden**  
Schroff Scandinavia AB  
Box 2003  
12821 Skarpnäck  
46 08683 61 00 Fax 46 08683 61 99  
www.schroff.se

**France**  
Schroff Sas  
Z.I., 4 rue du Marais  
67690 Betschdorf  
33 03 88 90 64 90 Fax 33 03 88 90 64 88  
www.schroff.fr

**Italy**  
Schroff srl  
Viale Milano, 119  
21013 Gallarate (Varese)  
39 0331 79 40 03 Fax 39 0331 79 34 50

**Singapore**  
Hoffman-Schroff Pte. Ltd.  
#01-68/71 German Centre  
25 International Business Park  
Singapore 609916  
65 5 62-78 90 Fax 65 5 62-78 99

**Japan**  
Schroff K.K.  
Nisso No. 13 Bldg. 4F  
2-5-1 Shinyokohama  
Kohoku-Ku, Yokohama shi  
Kanagawa 222-0033  
81 (045) 476-02 81 Fax 81 (045) 476-02  
89

**Finland**  
Schroff Scandinavia AB  
Peräsimentie 9  
03100 Nummeila  
358 09 222 68 00 Fax 358 09 222 38 86

**Norway**  
Schroff Scandinavia AB  
Bjoernerudveien 24  
1266 Oslo  
47 022 76 33 60 Fax 47 022 76 33 69

FIGURE 1. TYPICAL INSTALLATION

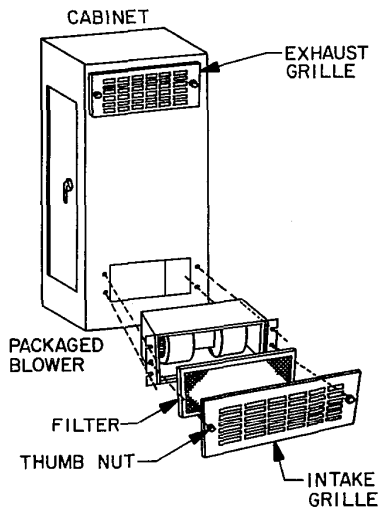
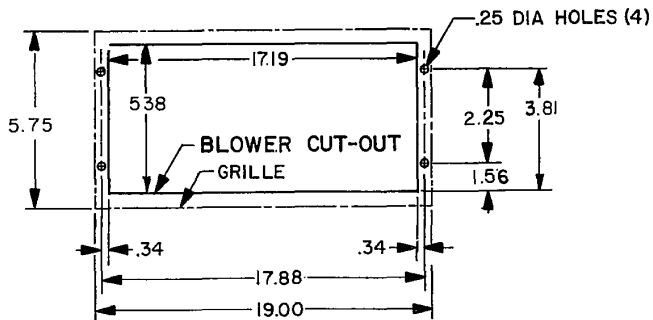


FIGURE 2. LOCATION OF BLOWER MOUNTING HOLES



### WARNING

Disconnect power supply before beginning installation to prevent electrical shock and equipment damage.

To avoid electric shock, do not energize any circuits before all internal and external electrical and mechanical clearances are checked to assure that all assembled equipment functions safely and properly.

### INSTALLATION INSTRUCTIONS:

1. Before installing blower, read these instructions carefully. Failure to follow the directions could damage the product or cause a hazardous condition.
2. Check the ratings on the blower motor to make sure the product is suitable for your application. The blower operates on 115 VAC, 50/60 hertz, single phase input power.

### GENERAL SAFETY INFORMATION:

1. Protect the power cord from coming in contact with sharp objects, hot surfaces, or chemicals.
2. If continuous operation of this blower is essential to the safe operation of any other equipment, then adequate warning devices must be installed to assure safe operation at all times.
3. The blower is designed for 20,000 hours of continuous operation at an ambient temperature not exceeding 150° F. It should be scheduled for replacement at appropriate intervals based on hours of use.

CAUTION: This blower is not designed for use in hazardous locations.

### LOCATION AND MOUNTING:

1. Determine the blower location on the enclosure. Clear all wires and components out of the way. Make a cut-out to fit the blower package as shown in figure 2.
2. Locate and drill all four mounting holes (.25 inch diameter).
3. Insert blower in cut-out as shown in figure 1. Be careful not to scratch the blower exterior finish.
4. Mount all four screws through the blower flanges and the enclosure body. Install all lockwashers and nuts and tighten as needed.
5. Assemble filter and intake grille in place and fasten both grille thumb nuts.

### WIRING:

1. All wiring must comply with applicable local codes and ordinances.
2. The dual blower comes with a three conductor cord and molded plug. The power cord is internally grounded. Connect this male plug to a corresponding power outlet.

### MAINTENANCE INFORMATION:

1. Always disconnect power supply before inspecting or working on the blower.
2. Generally, the blower motor requires no maintenance since the ball bearings are permanently lubricated and sealed.
3. The aluminum filter should be removed and rinsed with warm water to keep it clean. A water soluble adhesive can be sprayed on the filter media to capture more dirt if required.